



Leighton Contractors  
(Asia) Limited  
39/F Sun Hung Kai Centre  
30 Harbour Road  
Hong Kong  
t: +852 2823 1111  
f: +852 2529 8784

08 May 2019

Our Ref: LCAL-EN-LE-8533

The EIA Ordinance Register Office  
Environmental Protection Department  
27/F, Southorn Centre  
130 Hennessy Road  
Wan Chai, Hong Kong

Dear Sir / Madam,

**Contract HY/2009/18**  
**Central-Wan Chai Bypass – Central Interchange**  
**Submission of Final Landscape Plan (Rev. D4)**

Pursuant to Clause 2.10 of the issued Further Environmental Permit FEP-05/364/2009/A, we submit herewith four hard copies and one electronic copy of the captioned submission with certification letters from ET and IEC for your information. All measures recommended in this submission were fully and properly implemented.

If you have any queries or require further information, please contact our Miss. Gemini Lam at 9130 9104 or [gemini.lam@leightonasia.com](mailto:gemini.lam@leightonasia.com).

Yours faithfully,  
For and on behalf of  
Leighton Contractors (Asia) Limited

Jimmy Chu  
Project Manager

JC / NC / JKC / YKW / GL

cc - Mr. David Kwan (AECOM) (w/o encl.)  
Mr. Raymond Dai (Lams Geotechnics Limited) (by fax w/o encl.: 2882 3331)  
Mr. David Yeung (ENVIRON Hong Kong Ltd) (by fax w/o encl.: 3548 6988)

Our Ref: LCAL-EN-LE-8533

Page 1 of 1



# Lam Geotechnics Limited

Ground Investigation & Instrumentation Professionals

Ref : G1525/CS/L1014/FEP-05/364/2009/A  
Date : 2 May 2019

**Leighton Contractors (Asia) Limited**  
39/F, Sun Jung Kai Centre,  
30 Harbour Road,  
Hong Kong

**By Post and Fax: 2140-6799**

華益  
土力  
有限  
公司

**Attn: Site Agent, Jimmy Chu**

Dear Sir,

**Contract No. HY/2009/18**  
**Central – Wan Chai Bypass – Central Interchange**  
**Final Landscape Plan (Rev. D4)**

Referring to the captioned information dated 20 March 2019 received through email on 25 March 2019, we have reviewed your submitted details and hereby certify the submission in accordance with Condition 2.10 of FEP-05/364/2009/A.

Should you have any enquiry, please feel free to contact the undersigned at 2839 5666.

Yours faithfully,

Raymond Dai  
Environmental Team Leader

c.c	HyD	Mr. Tony Cheung	(By fax: 2714-5289)
	AECOM CWB	Mr. David Kwan	(By fax: 3665-0106)
	AECOM WDII	Ms. Gloria Tang	(By fax: 2587-1877)
	Ramboll	Mr. David Yeung	(By fax: 3465-2899)





Ref.: AACWBIECEM00\_0\_11250L.19

2 May 2019

Leighton Contractors (Asia) limited  
39/F, Sun Hung Kai Centre,  
30 Harbour Road,  
Hong Kong

By Post and Fax (2140 6799)

Attention: Mr. Jimmy Chu

Dear Sir,

**Re: Contract No. HY/2009/18  
Central – Wan Chai Bypass – Central Interchange**

**Final Landscape Plan (Rev. D4)**

Reference is made to your submission of the Final Landscape Plan (Rev. D4 dated 25 March 2019) to us through ET's e-mail on 27 March 2019 for our review and comment.

Please be informed that we have no adverse comment on the captioned submission. We write to verify the captioned submission in accordance with Condition 2.10 of FEP-05/364/2009/A.

Please feel free to contact the undersigned should you have any queries.

Yours sincerely,



David Yeung  
Independent Environmental Checker

c.c.	HyD	Mr. Tony Cheung	by fax: 2714 5289
	AECOM CWB	Mr. David Kwan	by fax: 3665 0106
	AECOM CWB	Mr. Eric Wong	by fax: 3912 3010
	AECOM WDII	Ms. Gloria Tang	by fax: 2587 1877
	LAM	Mr. Raymond Dai	by fax: 2882 3331

Q:\Projects\AACWBIECEM00\Corr\AACWBIECEM00\_0\_11250L.19.doc

**LEIGHTON**

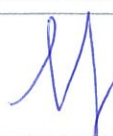

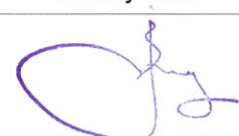


**Contract No. HY/2009/18**

**Central – Wan Chai Bypass – Central Interchange**

**Final Landscape Plan**

Document Approval

Rev.	Date	Prepared by:	Reviewed by:	Approved by:
D1	21.09.2017	Malcolm Leung	Malcolm Leung	Jimmy Chu
D2	06.08.2018	Penny Yiu	Penny Yiu	Jimmy Chu
D3	24.12.2018	Penny Yiu	Penny Yiu	Jimmy Chu
D4	20.03.2019	Gemini Lam	Y.K.Wu	Jimmy Chu
Signature:				

## CONTENTS

1. INTRODUCTION
2. LANDSCAPE WORKS
3. CONCLUSION

## APPENDICES

Appendix A	Shrubs Planting Plan
Appendix B	Hard Landscape Plan
Appendix C	Tree Location Plan and tree information of final trees planted at Central Area
Appendix D	Summary of compensatory for damaged tree and fell tree
Appendix E	Summary of transplant trees handed over to other Works Contract
Appendix F	Handed over record to Maintenance Agency
Appendix G	Photographic record of soft landscape and hard landscape Works at Central



## Final Landscape Plan (Draft)

### 1. INTRODUCTION

1.1.1. The purpose of this Final Landscape Plan is to fulfil the Condition 2.10 under the Environmental Permit no.: FEP-05/364/2009/A and provide the latest information of landscape works completed by the contract no. HY/2009/18.

1.1.2. The construction stage for the contract no. HY/2009/18 Central - Wan Chai Bypass - Central Interchange (hereinafter referred to as “the CWB-CI”) has been completed in 2017. This Final Landscape Plan is to provide a summary of the landscape works completed by the Contractor – Leighton Contractors (Asia) Limited (hereinafter referred to as “the Contractor” or “LCAL”).

#### Project Background (Contract no. HY/2009/18)

1.1.3. The scope of the CWB-CI mainly includes:

- construction of a 220m section of tunnel in Central at the West Portal;
- construction of approach road to the tunnel
- construction of at grade slip road
- construction of bridge deck for the westbound carriageway of Rumsey Street Flyover Extension;
- modification to the existing Rumsey Street Flyover; and
- construction of the eastbound Slip Road D Flyover.

#### Operation phase landscape mitigation measures

1.1.4. According to the approved EIA report (Registered No.: AEIAR-125/2008 - Wan Chai Development Phase II and Central-Wan Chai Bypass), the proposed operation phase landscape mitigation measures are listed in table below.

ID No.	Landscape and Visual Mitigation Measures
OM1	Aesthetic design of buildings and road-related structures, including viaducts, vent buildings, subways, footbridges and noise barriers and enclosure.
OM2	Shrub and Climbing Plants to soften proposed structures.
OM3	Buffer Tree and Shrub Planting to screen proposed roads and associated structures.
OM4	Aesthetic design of proposed waterfront promenade.
OM5	Aesthetic streetscape design.
OM6	Aesthetic design of roadside amenity areas.

1.1.5. Under the scope of CWB-CI, OM3 and OM6 are relevant. Buffer tree and shrub were planted on site according to planting plans designed by Engineer Representative and approved by authorities. Aesthetic design of roadside in amenity areas by Engineer Representative were implemented. Please refer to **Appendix A** for Shrubs Planting Plan, **Appendix B** for Hard Landscape Plan and **Appendix C** for Tree Location Plan.



## Final Landscape Plan (Draft)

---

### 2. LANDSCAPE WORKS

CWB-CI has implemented the following both hard and soft landscape works. For hard landscape works, it includes application of landscape features and stone facing finishing to amenity areas. For soft landscape works, it includes the provision of new soil mix, planting of new soil mix, planting of new shrubs, preservation, transplantation, compensation and planting of trees to tally with the following sub-sections in the submission.

#### 2.1. Provision of New Soil Mix

- 2.1.1. Stripped topsoil was stored and reused for the soil landscape works where practical. For new planting areas, new soil mix was proposed and approved by the Engineer's Representative prior to use.

#### 2.2. Planting of New Shrubs

- 2.2.1. New shrubs were planted as a soft landscape treatment shown in **Appendix A**. The photographic record of the completed shrub planting works at Central area under Contract CWB-CI are shown in **Appendix G**.

#### 2.3. Preservation, Transplantation, Compensation and Planting of Trees

- 2.3.1. Initial and final tree survey was carried out before commencing construction works and after completed construction works respectively.
- 2.3.2. Existing trees recommended to be retained were protected and maintained throughout the construction period. For any tree damage happened for retained tree such as by inclement weather, the Contractor has rectified and/or compensated accordingly. A total of 82 nos of damaged retain trees are compensated by the CWB-CI at Central Area, and their location were shown in **Appendix C**. The information of compensated damaged retain trees is listed in **Appendix D**.
- 2.3.3. Existing trees recommended to be transplanted were transplanted directly to the receptor site if possible, or transplanted to nursery location maintained by HY/2009/18 and subsequently transplanted to the final receptor location. For damage happened to transplant tree such as by inclement weather, the Contractor has rectified and/or compensated accordingly. A total of 67 nos of damaged transplant trees are compensated by the CWB-CI, and their location were shown in **Appendix C**. The information of compensated damaged transplant trees is listed in **Appendix D**.
- 2.3.4. Under the CWB-CI Contract, a total of no. of 131 of transplant trees are planted to final recipient location at Central as agreed with relevant Authority and subsequently handed over to relevant Maintenance Agency. A total of 71 transplant trees at Nursery site were handed over to other Works contract, with 58 and 13 nos of transplant trees were handed over to C19 and CWB-CC respectively, a summary of transplant tree handed over to other Works contract is shown in **Appendix E**. Meanwhile, a total no. of 388 of retained trees at

## Final Landscape Plan (Draft)

---

Central Area have been handed over to relevant Maintenance Agency. The final location(s) and tree information of the aforementioned handed over trees are shown in **Appendix C**.

- 2.3.5. In addition, a total no. of 152 new trees are planted at Central area, the final location(s) and tree information of the newly planted trees are shown in **Appendix C**.
- 2.3.6. All the trees under CI have been handed over to Maintenance Agency, the handed over records are shown in **Appendix F**.
- 2.3.7. Some of the existing trees identified to be retained or transplanted were recommended to be fell due to the obstruction of construction work. Total nos. of 30 trees were fell and were compensated by 53 nos of trees as approved by relevant Authority. The location and information of compensated fell trees were shown in **Appendix C** and **Appendix D**.

### 2.4. Establishment Period

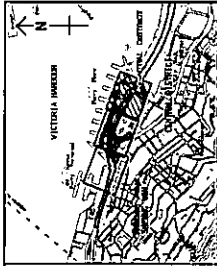
- 2.4.1. The Contractor is responsible for the maintenance for tree establishment for shrub, retained trees, transplanted trees planted at the final location and for an establishment period of 12 months. During the establishment period, the Contractor has undertaken necessary maintenance for the plant establishment including regular watering, fertilizing and carrying out pest control. The establishment period was completed in late July 2018. The trees and shrubs under CI have handed over to the maintenance departments including Leisure and Cultural Services Department (LCSD), Contract HY/2011/08 under Highways Department (Highways) and IFC Management Co. Ltd under MTR Corporation Limited for future maintenance.

## 3. CONCLUSION

- 3.1.1. Both Hard landscape and Soft landscape including landscape features, stone facing finishing, shrub and trees planting have been implemented by Contract CWB-CI mitigate the landscape and visual impacts from the Project, in accordance with Landscape and Visual Mitigation Measures OM3 and OM6.

# Appendix A

## Shrubs Planting Plan



- NOTES:**
1. FOR NOTES AND LEGEND SEE SHEET NO. 60095653/C/19053B.
  2. WITH BRONZE AND BRASS FINISHES AND 150mm.
  3. FOR ALL DIMENSIONS INTERFERE WITH THE EXISTING STREET AND SIDEWALKS. THE CONTRACTOR SHALL VERIFY THE DIMENSIONS AND MAKE NECESSARY ADJUSTMENTS TO THE CONSTRUCTION WORK.

**LEGEND:**

--- WORKS TO BE COMPLETED BY OTHERS  
--- WORKS TO BE COMPLETED BY CONTRACTOR

B	AS-BUILT DRAWING	1/1	1/1	1/1
A	WORKING DRAWING	1/1	1/1	1/1
-	TENDERS DRAWING	1/1	1/1	1/1

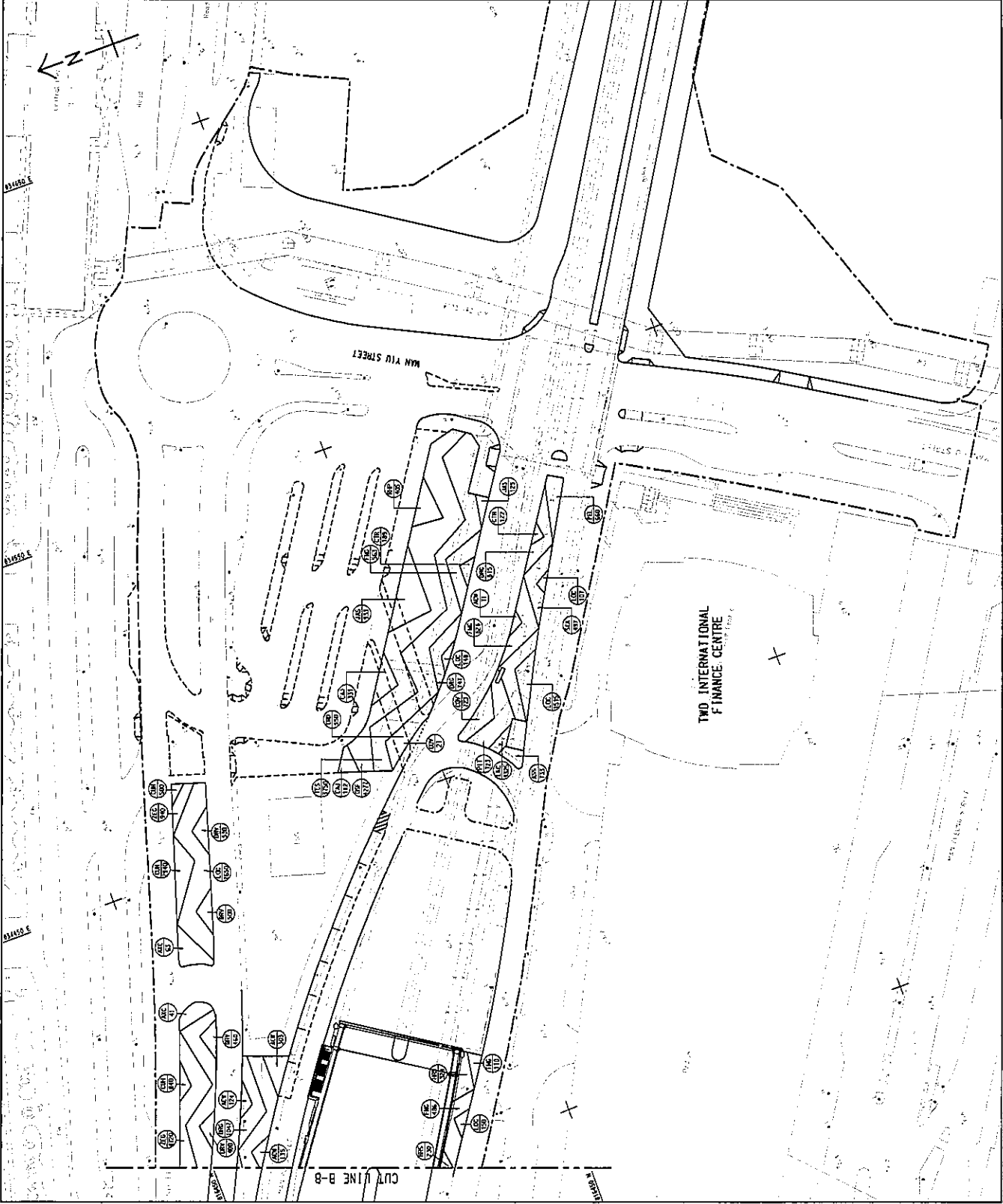
Highways Department  
Major Works Project Management Office

**CENTRAL - WAN CHAI BYPASS AND REC LINK**  
DRAWING NO. 579 TH  
工程計劃圖號 579 TH

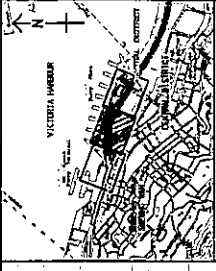
CENTRAL - WAN CHAI BYPASS - CENTRAL INTERCHANGE  
**SHRUB PLANTING PLAN**

SHEET 3 OF 3

DRWNO. 圖號	60095653/C/19053B
DATE 日期	17/08/2014
SCALE 比例	AS BUILT DRAWING
PROJECT 項目	CENTRAL - WAN CHAI BYPASS
DESIGNER 設計	AS BUILT DRAWING
CHECKED 校核	AS BUILT DRAWING
APPROVED 核准	AS BUILT DRAWING







**KEY PLAN**  
 SCALE 1:1000  
 DATE 11/1/2000

**NOTE:**  
 1. FOR NOTIS AND LEGEND SEE ENG. NO. 60095653/19051.

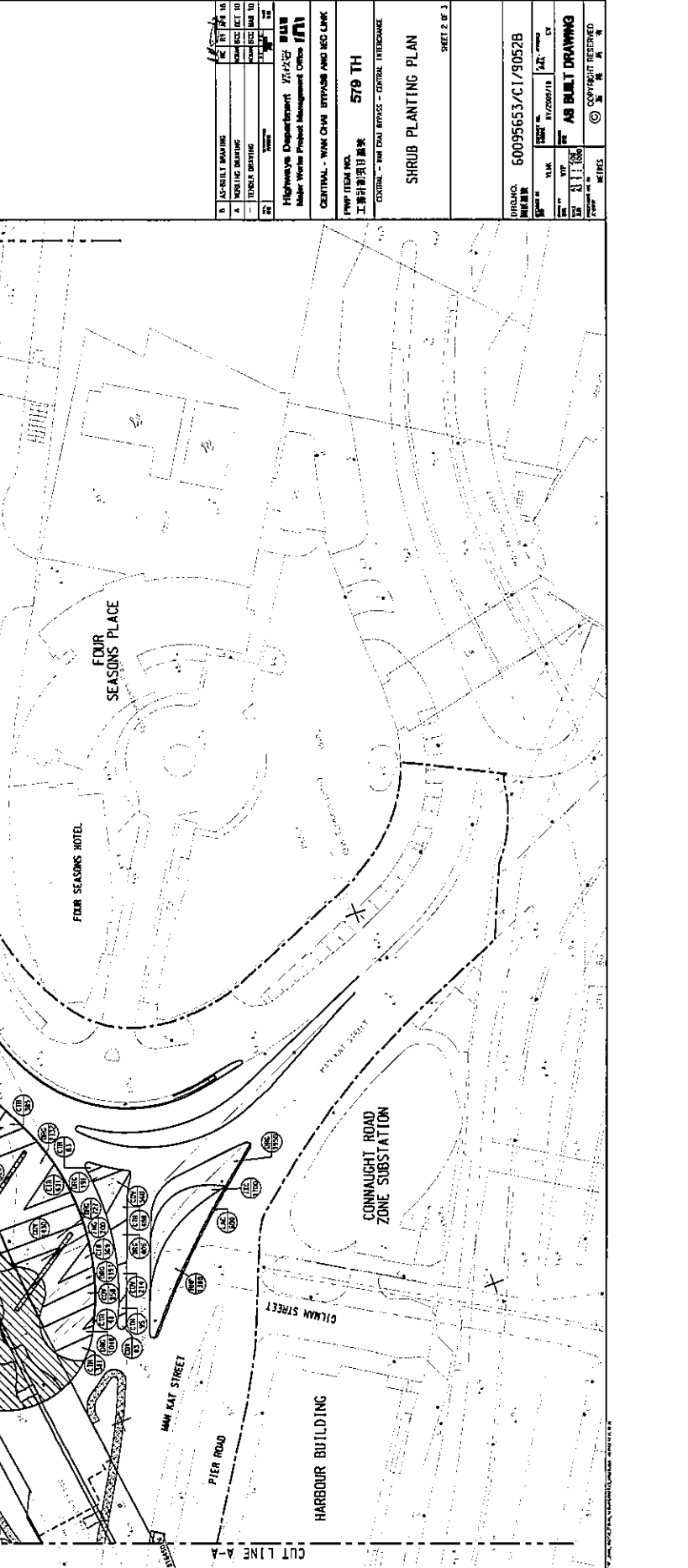
5	AS-BUILT DRAWING	DATE 11/1/2000	BY 101
4	NOTING DRAWING	DATE 11/1/2000	BY 101
3	DESIGN DRAWING	DATE 11/1/2000	BY 101
2	DESIGN DRAWING	DATE 11/1/2000	BY 101

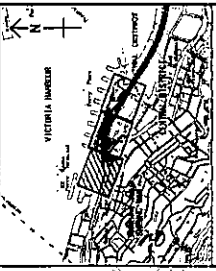
Highways Department  
 Major Works Project Management Office

CENTRAL - WAN CHAI BRIDGE AND SEC LINK  
 PROJECT NO. 579 TH  
 CENTRAL - WAN CHAI BRIDGE - CENTRAL INTERCHANGE

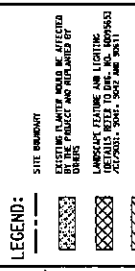
SHRUB PLANTING PLAN  
 SHEET 2 OF 3

ORDER NO. 60095653/C/19052B  
 DRAWING NO. 60095653/C/19052B/11  
 DATE 11/1/2000  
 BY 101  
 AS BUILT DRAWING  
 © COPYRIGHT RESERVED





**NOTES:**  
 1. ALL PLANTING SHOULD BE SPECIFIED IN CONFORMANCE WITH THE HONG KONG PLANTING SPECIFICATIONS AND 2021.  
 2. EXISTING TREES NOT SHOWN SHOULD NOT BE AFFECTED BY THE PROJECT.



B	AS-BUILT DRAWING	DATE: 15/07/18
A	WORKING DRAWING	DATE: 02/08/18
-	TENDER DRAWING	DATE: 02/08/18

Highways Department 312/2/2018  
 Major Works Project Management Office

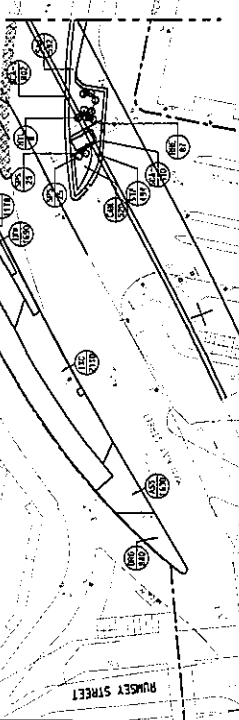
CENTRAL - WING CHAI ENTRANCE AND ISO LINK  
 PWP ITEM NO. 579 TH  
 工程項目編號 579 TH

SHRUB PLANTING PLAN  
 SHEET 1 OF 3

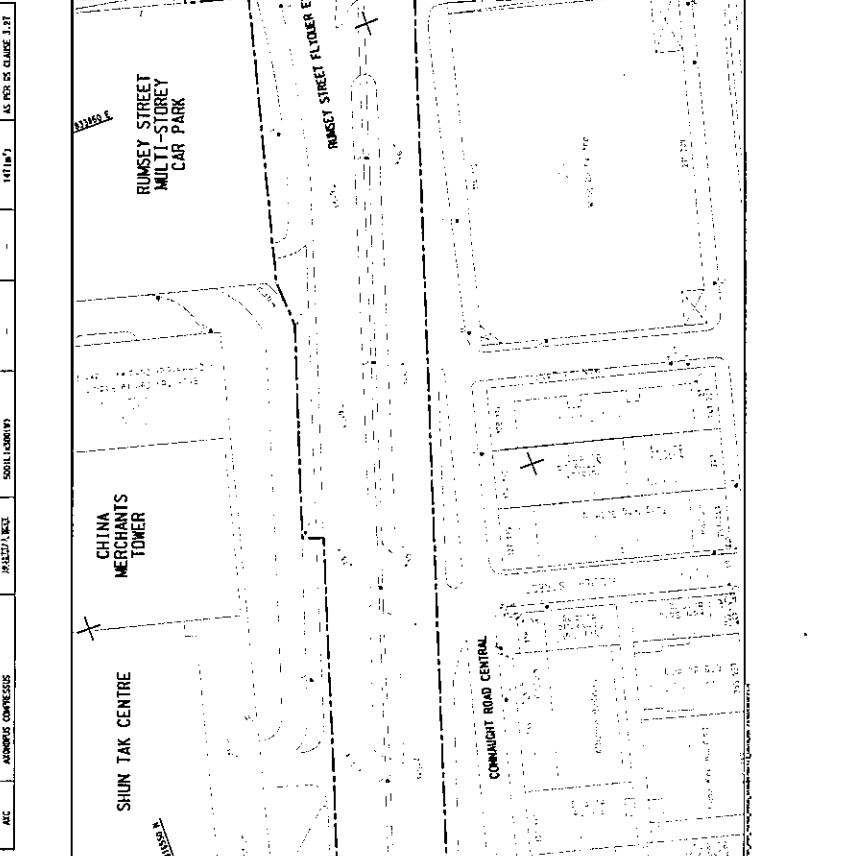
ORDER NO. 60095653/CI/9051B  
 DRAWN BY: [Name]  
 CHECKED BY: [Name]  
 DATE: 11/10/18  
 PROJECT NO. AS BUILT DRAWING  
 CONTRACT NO. [Number]

**GENERAL NOTES FOR LANDSCAPE WORKS:**

- GENERAL INFORMATION:** THESE DRAWING PACKAGES INTEND TO SHOW SET AND SURVEYING DETAILS REFER TO THE EXISTING WORKS AND TO BE COMPLETED BY THE CONTRACTOR. CONSULT THE CONTRACT DOCUMENTS FOR ALL DIMENSIONS BETWEEN OFFICE IMPROVEMENT AND DISCREPANCIES BETWEEN THESE DRAWINGS.
- ALL DIMENSIONS ARE IN MILLIMETERS UNLESS OTHERWISE STATED.**
- EXISTING TREES/VEGETATION:** THE LOCATION OF ALL TREES AND VEGETATION TO REMAIN ON SITE IS SHOWN ON THIS DRAWING. FOR REMOVAL OF EXISTING VEGETATION, THE CONTRACTOR SHALL BE RESPONSIBLE FOR OBTAINING ALL NECESSARY PERMITS AND APPROVALS FROM THE RELEVANT AUTHORITIES.
- TREE FELLING:** Felled or removed without the tree approval. Felled or removed without the tree approval.
- GROUND PREPARATION WORKS:** GROUND PREPARATION WORKS SHALL BE CARRIED OUT AS SPECIFIED. EXISTING TREE HOLES SHALL BE REPAIRED TO ORIGINAL CONDITION.
- SOIL MIX AND SOIL CONDITIONING:** SOIL MIX AND SOIL CONDITIONING SHALL BE CARRIED OUT AS SPECIFIED. EXISTING TREE HOLES SHALL BE REPAIRED TO ORIGINAL CONDITION.
- MIXING:** TREE PLANTING AND SOIL AREAS SHALL BE MARKED BY THE CONTRACTOR TO BE PROTECTED BY BARRIERS AND FENCED OFF WITH G.S. CLAMP 1.33 WATER.

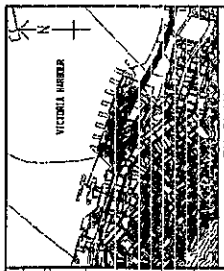


PLANTING SCHEDULE	BOTANICAL NAME	CHINESE NAME	SPECIFICATION (mm) HEIGHT / SPREAD	SPACING (mm)	NO./M <sup>2</sup>	QUANTITY	COMMENT
SHRUB PLANTING	ALBUQUERQUIA BRUNNIFLORA	黃荊	500H/400S1	600	12.54	1540	PLANT ALL SPECIES IN A STAGGERED PATTERN
	ALBUQUERQUIA BRUNNIFLORA	黃荊	500H/400S1	300	12.54	3171	
	ALBUQUERQUIA BRUNNIFLORA	黃荊	500H/400S1	450	12.54	375	
	ALBUQUERQUIA BRUNNIFLORA	黃荊	500H/400S1	600	12.54	441	
	ALBUQUERQUIA BRUNNIFLORA	黃荊	500H/400S1	300	12.54	1122	
	ALBUQUERQUIA BRUNNIFLORA	黃荊	500H/400S1	150	12.54	490	
	ALBUQUERQUIA BRUNNIFLORA	黃荊	500H/400S1	300	12.54	1536	
	ALBUQUERQUIA BRUNNIFLORA	黃荊	500H/400S1	450	12.54	1838	
	ALBUQUERQUIA BRUNNIFLORA	黃荊	500H/400S1	600	12.54	550	
	ALBUQUERQUIA BRUNNIFLORA	黃荊	500H/400S1	300	12.54	301	
	ALBUQUERQUIA BRUNNIFLORA	黃荊	500H/400S1	450	12.54	479	
	ALBUQUERQUIA BRUNNIFLORA	黃荊	500H/400S1	600	12.54	1530	
	ALBUQUERQUIA BRUNNIFLORA	黃荊	500H/400S1	300	12.54	1658	
	ALBUQUERQUIA BRUNNIFLORA	黃荊	500H/400S1	450	12.54	1658	
	ALBUQUERQUIA BRUNNIFLORA	黃荊	500H/400S1	600	12.54	4177	
	ALBUQUERQUIA BRUNNIFLORA	黃荊	500H/400S1	300	12.54	660	
	ALBUQUERQUIA BRUNNIFLORA	黃荊	500H/400S1	450	12.54	753	
	ALBUQUERQUIA BRUNNIFLORA	黃荊	500H/400S1	600	12.54	1216	
	ALBUQUERQUIA BRUNNIFLORA	黃荊	500H/400S1	300	12.54	322	
	ALBUQUERQUIA BRUNNIFLORA	黃荊	500H/400S1	450	12.54	322	
	ALBUQUERQUIA BRUNNIFLORA	黃荊	500H/400S1	600	12.54	1212	
	ALBUQUERQUIA BRUNNIFLORA	黃荊	500H/400S1	300	12.54	50	
	ALBUQUERQUIA BRUNNIFLORA	黃荊	500H/400S1	450	12.54	29	
	ALBUQUERQUIA BRUNNIFLORA	黃荊	500H/400S1	600	12.54	491	
	ALBUQUERQUIA BRUNNIFLORA	黃荊	500H/400S1	300	12.54	3750	
GROUNDCOVER PLANTING	ASPADUCEA SPRUCEANA	蘇利草	200H/200S1	200	21	4643	
	ASPADUCEA SPRUCEANA	蘇利草	200H/200S1	200	21	3125	
	ASPADUCEA SPRUCEANA	蘇利草	200H/200S1	200	21	1300	
TURF PLANTING	ANDROPOGON COMPRESSUS	草	AS PER BS CLAUSE 3.87	-	-	14118.7	



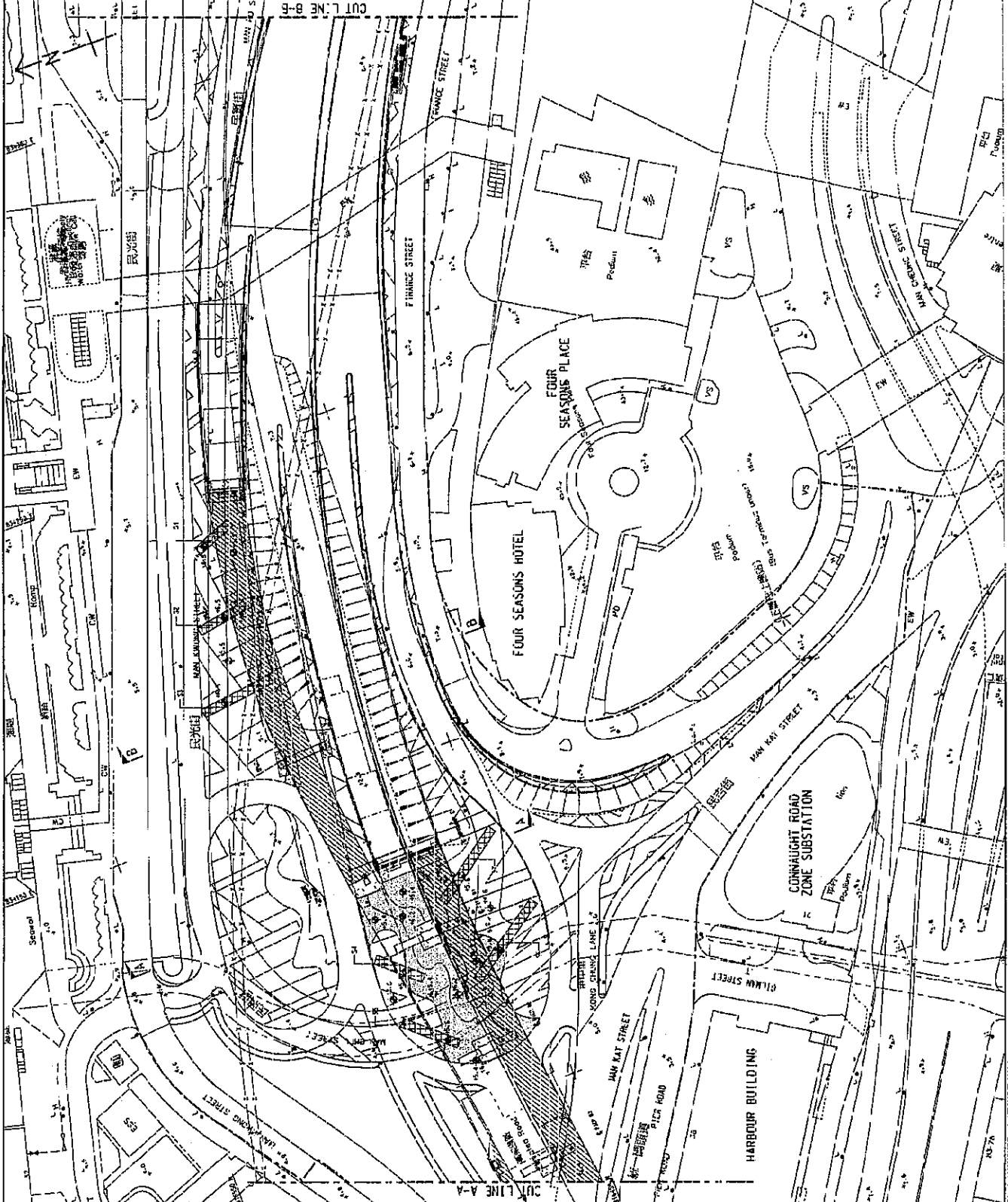
# **Appendix B**

## **Hard Landscape Plan**



**NOTES:**  
 1. ALL LEVELS ARE IN METRES AND REFER TO PRINCIPAL DATUM.  
 2. ALL DIMENSIONS REFER TO GEOMETRY AND ACCESSORY STRUCTURES.  
 3. THE EXISTING AND PROPOSED LANDSCAPE DESIGN IS SUBJECT TO THE DECISION OF THE LIAISON OFFICERS AND THE PROJECT PLANNING OFFICERS.  
 4. THE PROPOSED DESIGN IS SUBJECT TO APPROVAL BY THE PROJECT PLANNING OFFICERS.  
 5. THE PROPOSED DESIGN IS SUBJECT TO APPROVAL BY THE PROJECT PLANNING OFFICERS.

**LEGEND:**  
 [Symbol] LANDSCAPE PLANTING  
 [Symbol] SLUMP FACING FINISHING



2	EXISTING PLANTING	100	100
3	PROPOSED PLANTING	100	100
4	TRENCH BASTION	100	100
5	SLUMP FACING FINISHING	100	100

Highways Department 路政處 Major Works Project Management Office
CPENTRANI - WAN CHAI BYPASS AND BEL LINK
PWP OFFICE 100 工程師辦事處
CENTRAL - MAN WAI BYPASS - CIVIL WORKS
579 TH
<b>HARD LANDSCAPE PLAN</b>

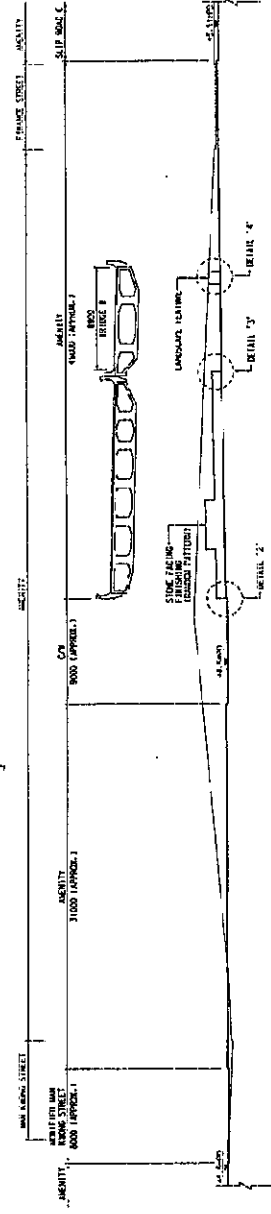
PROJECT NO. 項目編號	6009553/CI/9031A
SCALE 比例尺	1:11 2000
DATE 日期	01/12/2018
DESIGNER 設計人	CA
CHECKER 校核人	
DRAWN BY 繪圖員	
CHECKED BY 校核員	
APPROVED BY 批准人	
DATE 日期	01/12/2018
PROJECT NO. 項目編號	6009553/CI/9031A
SCALE 比例尺	1:11 2000
DATE 日期	01/12/2018
DESIGNER 設計人	CA
CHECKER 校核人	
DRAWN BY 繪圖員	
CHECKED BY 校核員	
APPROVED BY 批准人	
DATE 日期	01/12/2018
PROJECT NO. 項目編號	6009553/CI/9031A

Project No. 6009553/CI/9031A

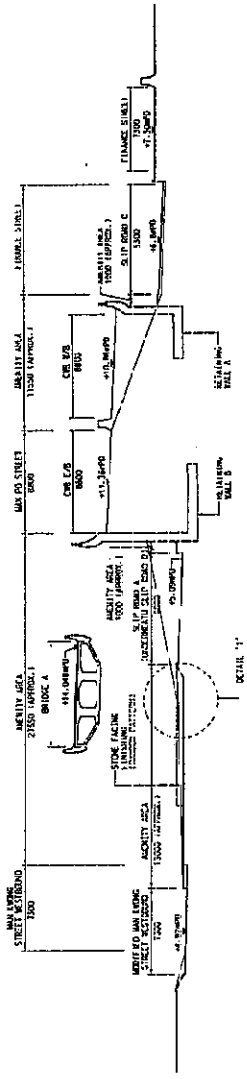


**NOTES:**

1. DIMENSIONS GIVEN IN CONNECTION WITH THIS DRAWING ARE IN MILLIMETERS UNLESS SPECIFIED OTHERWISE.
2. ALL DIMENSIONS ARE IN MILLIMETERS UNLESS SPECIFIED OTHERWISE.
3. ALL DIMENSIONS ARE IN MILLIMETERS UNLESS SPECIFIED OTHERWISE.
4. ALL DIMENSIONS ARE IN MILLIMETERS UNLESS SPECIFIED OTHERWISE.
5. ALL DIMENSIONS ARE IN MILLIMETERS UNLESS SPECIFIED OTHERWISE.
6. ALL DIMENSIONS ARE IN MILLIMETERS UNLESS SPECIFIED OTHERWISE.
7. ALL DIMENSIONS ARE IN MILLIMETERS UNLESS SPECIFIED OTHERWISE.
8. ALL DIMENSIONS ARE IN MILLIMETERS UNLESS SPECIFIED OTHERWISE.
9. ALL DIMENSIONS ARE IN MILLIMETERS UNLESS SPECIFIED OTHERWISE.
10. ALL DIMENSIONS ARE IN MILLIMETERS UNLESS SPECIFIED OTHERWISE.



**SECTION A - A**  
SCALE AS SHOWN



**SECTION B - B**  
SCALE AS SHOWN

DATE	17/01/12
SCALE	AS SHOWN
BY	KL
CHECKED	KL
DATE	17/01/12

DESIGNED BY:  
 HIGHWAYS DEPARTMENT  
 MAJOR PROJECT MANAGEMENT OFFICE

PROJECT NO.  
 578 TH

DESCRIPTION: NEW CHINA BRIDGES AND ELEVATORS

HARD LANDSCAPE SECTIONS AND DETAILS

DRAWING NO. 60095653/CI/9041A	
DATE	31/1/12
SCALE	AS SHOWN
BY	KL
CHECKED	KL
DATE	31/1/12
PROJECT NAME WORKING DRAWING	
DESIGNED BY KL	
DRAWING NO. 60095653/CI/9041A	

- NOTES:**
1. ALL WORK TO BE DONE IN CONNECTION WITH THIS DRAWING IS TO BE DONE IN ACCORDANCE WITH THE SPECIFICATIONS AND DETAILS AS SHOWN ON THIS DRAWING UNLESS OTHERWISE SPECIFIED.
  2. THE DIMENSIONS AND LEVELS AS SHOWN ON THIS DRAWING SHALL BE THE BASIS FOR THE WORK TO BE DONE.
  3. THE DIMENSIONS AND LEVELS AS SHOWN ON THIS DRAWING SHALL BE THE BASIS FOR THE WORK TO BE DONE.
  4. FEATURES SHALL BE SET AS SHOWN.
  5. CONTRACTOR SHALL VERIFY ALL DIMENSIONS AND LEVELS OF THE HARD LANDSCAPE ELEMENTS AND REPORT TO THE ENGINEER PRIOR TO CONSTRUCTION.

4. MATERIALS	AS SPECIFIED TO	AS SPECIFIED TO
5. SCHEDULE	AS SPECIFIED TO	AS SPECIFIED TO
6. FINISHES	AS SPECIFIED TO	AS SPECIFIED TO

Highways Department  
Major Works Project Management Office

CENTRAL - WORK ORDER - STAFFAGE AND REG. WORK

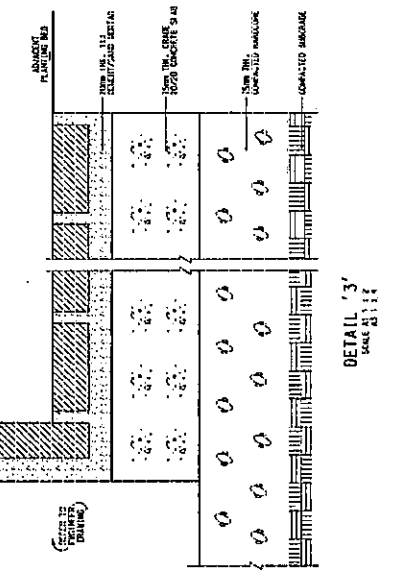
PROJECT NO. 678 171  
WORK ORDER NO. 11220018

CENTRAL - WORK ORDER STAFFS - CENTRAL INTERCHANGE

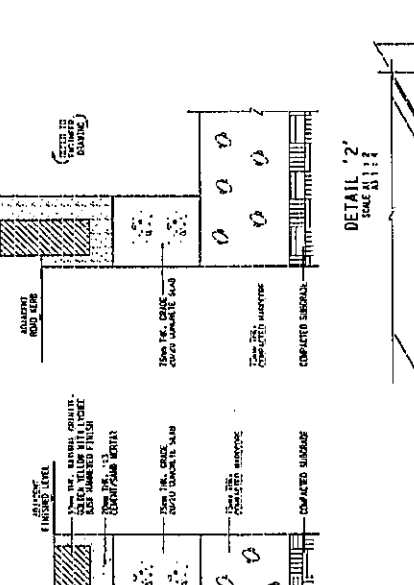
**HARD LANDSCAPE SECTIONS AND DETAILS**

6009565/CI/9042A

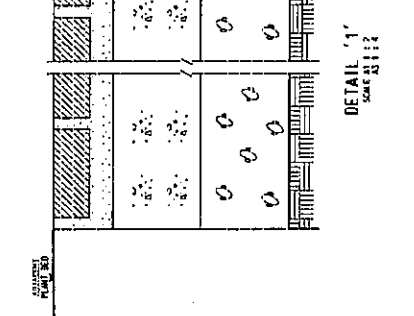
DATE: 21/03/2018  
SCALE: 1:100  
DRAWN BY: [Signature]  
CHECKED BY: [Signature]  
DATE: 21/03/2018  
SCALE: 1:100  
DRAWN BY: [Signature]  
CHECKED BY: [Signature]



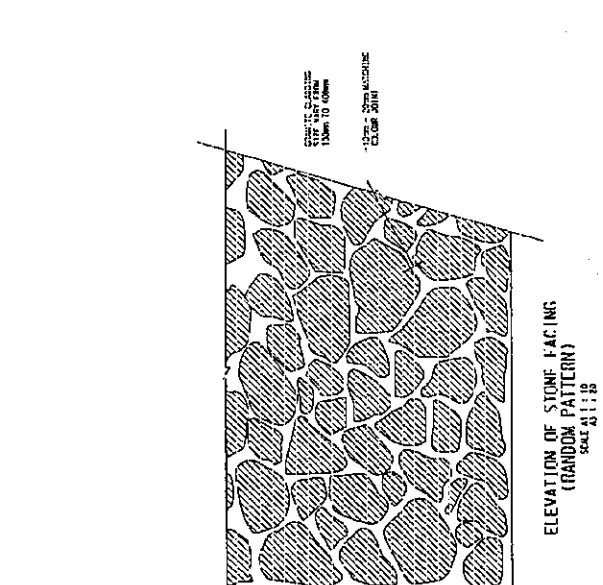
DETAIL '1'  
SCALE 1:100



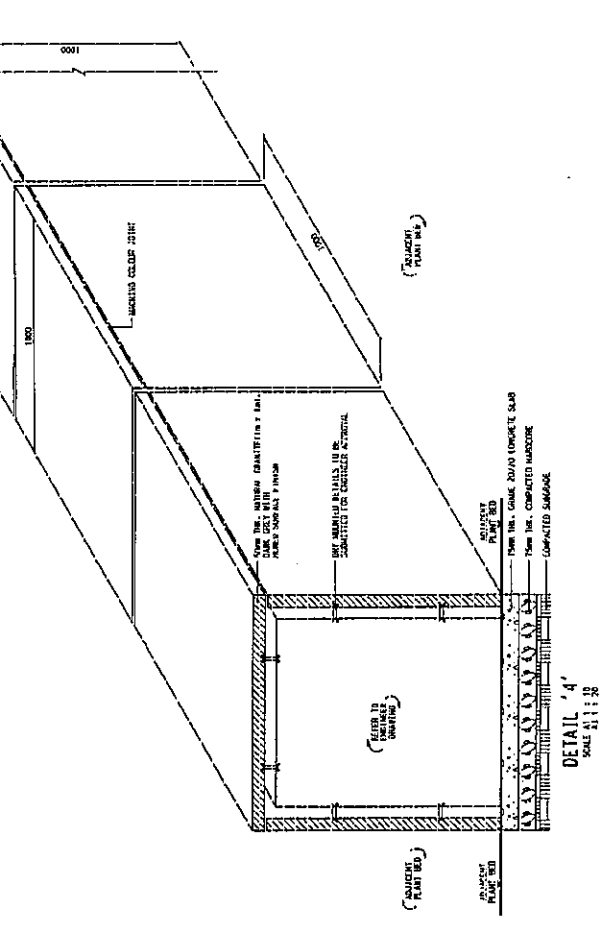
DETAIL '2'  
SCALE 1:100



DETAIL '3'  
SCALE 1:100



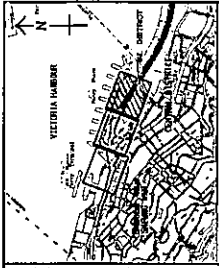
ELEVATION OF STONE FACINGS  
(RANDOM PATTERN)  
SCALE 1:100



DETAIL '4'  
SCALE 1:100

# **Appendix C**

## **Tree Location Plan and tree information of final trees planted at Central Area**



NOTES:  
1. FOR NOTES AND LEGEND SEE AEC NO. 60095653/CI/9013C  
2. THIS DRAWING SHOULD BE USED IN CONNECTION WITH DRAWING NO. 60095653/CI/9013C.

C	AS-BUILT DRAWING	REV	DATE
B	WORKING DRAWING	01	08/08/13
A	OWNER CONTRACT NO. 1	01	08/08/13
-	OWNER DRAWING	01	08/08/13

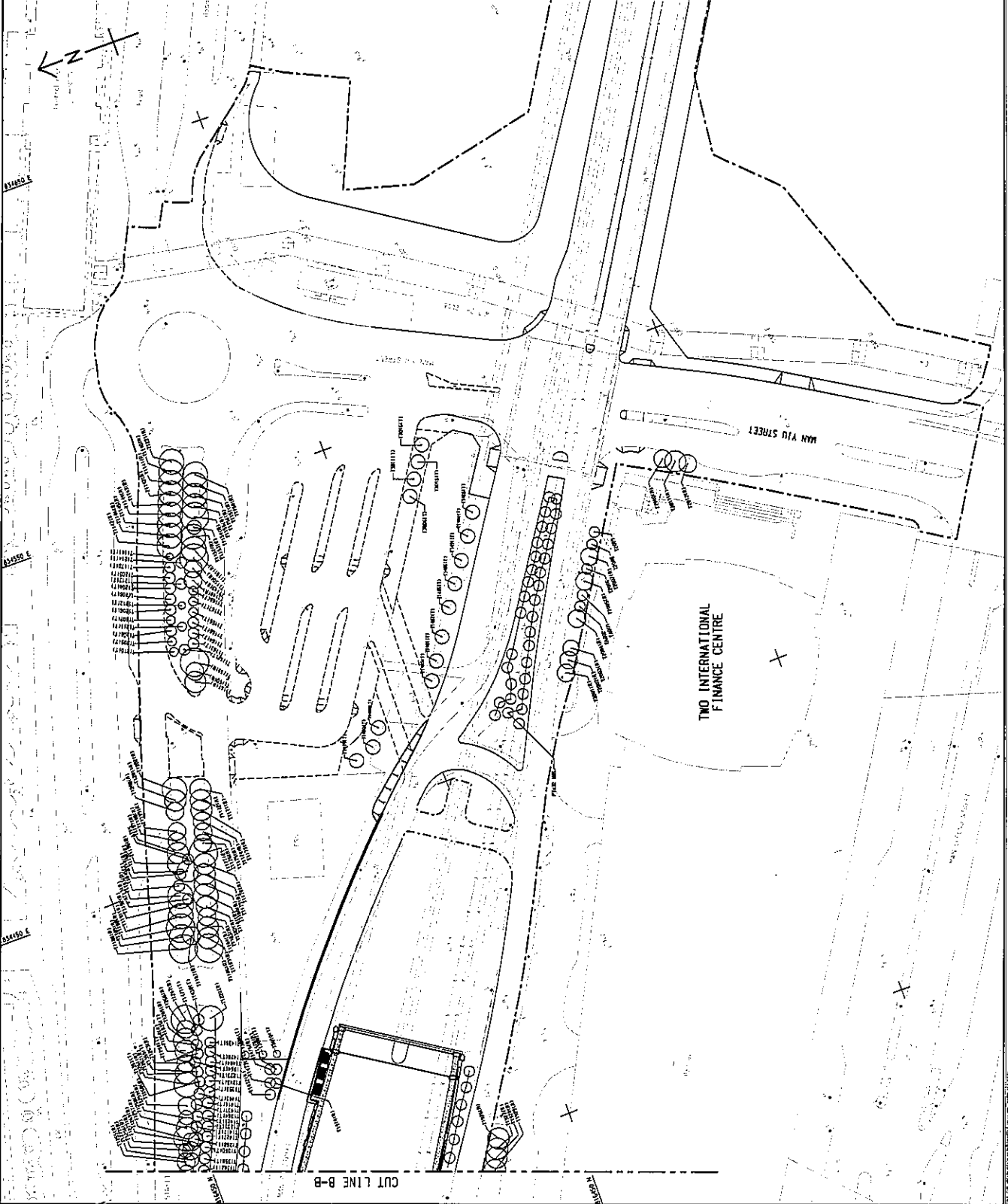
Highways Department 路政處  
Major Works Project Management Office 主要工程項目管理處

CENTRAL - WAN CHAI BYPASS AND BEC LINK  
工程計劃項目編號 579 TH

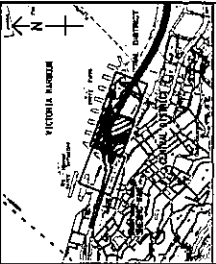
PROJECT NO. 579 TH  
CENTRAL - WAN CHAI BYPASS - CENTRAL INTERCHANGE

TREE PLANTING PLAN  
SHEET 3 OF 3

PROJECT NO.	60095653/CI/9013C
DATE	08/08/13
SCALE	AS BUILT DRAWING
PROJECT NAME	CENTRAL - WAN CHAI BYPASS - CENTRAL INTERCHANGE
PROJECT LOCATION	CENTRAL - WAN CHAI BYPASS - CENTRAL INTERCHANGE
PROJECT NO.	579 TH
PROJECT NAME	CENTRAL - WAN CHAI BYPASS - CENTRAL INTERCHANGE
PROJECT LOCATION	CENTRAL - WAN CHAI BYPASS - CENTRAL INTERCHANGE
PROJECT NO.	579 TH
PROJECT NAME	CENTRAL - WAN CHAI BYPASS - CENTRAL INTERCHANGE
PROJECT LOCATION	CENTRAL - WAN CHAI BYPASS - CENTRAL INTERCHANGE







**KEY PLAN**  
SCALE 1:10000

**NOTE:**  
1. FOR NOTES AND LEGEND SEE DRAWING NO. 6009563/C/1/9012C  
2. TREE PLANTING SCHEDULES ARE ON DRAWING NO. 6009563/C/1/9012C

**LEGEND:**



LOCATION #

NO.	DESCRIPTION	DATE	BY
C	AS BUILT DRAWING	20/11/2000	...
B	WORKING DRAWING	10/12/2000	...
A	FORWARD APPROVAL NO. 1	10/12/2000	...
-	FORWARD APPROVAL NO. 2	10/12/2000	...
-	FORWARD APPROVAL NO. 3	10/12/2000	...
-	FORWARD APPROVAL NO. 4	10/12/2000	...
-	FORWARD APPROVAL NO. 5	10/12/2000	...

Highways Department  
Major Works Project Management Office

PROJECT NO. 579 TH  
WORKS PROJECT NO. 579 TH

CENTRAL - MAIN CHAM BYPASS AND BE LINK  
CENTRAL - MAIN CHAM BYPASS - CENTRAL INTERCHANGE

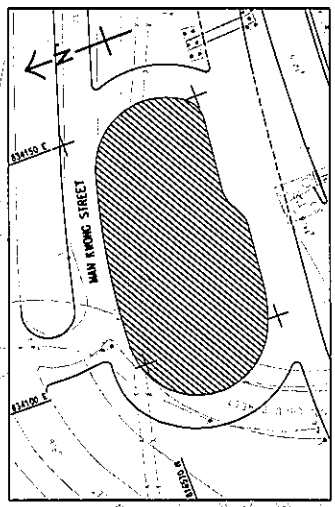
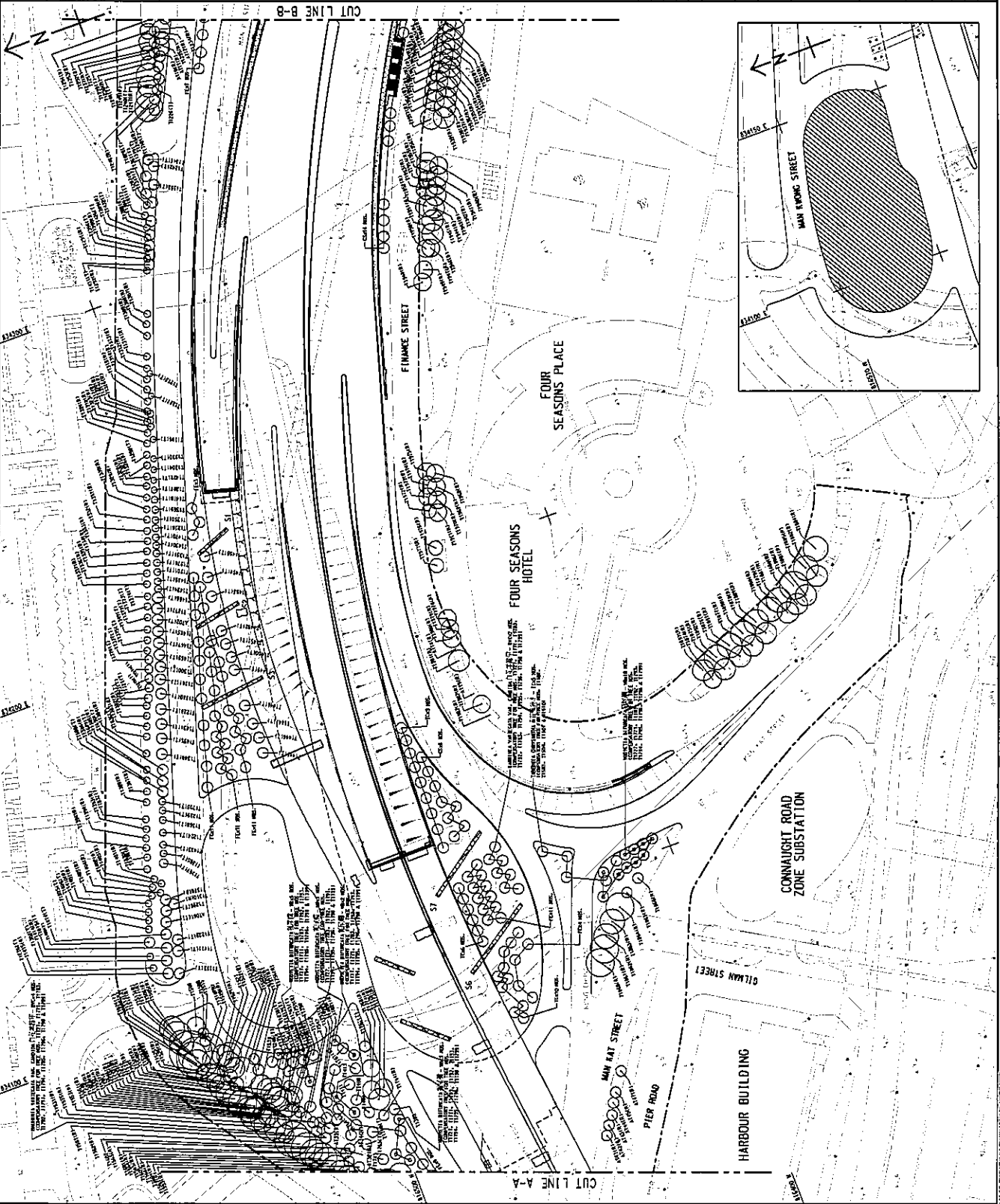
**TREE PLANTING PLAN**

SEET 2 OF 3

DRAWING NO. 6009563/C/1/9012C

DATE 21/1/2000  
SCALE 1:1000  
AS BUILT DRAWING

DATE 21/1/2000  
SCALE 1:1000  
AS BUILT DRAWING



CUT LINE A-A

CUT LINE B-B

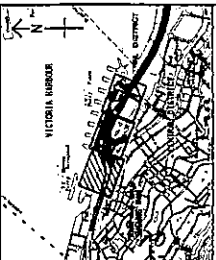
**GENERAL NOTES FOR LANDSCAPE WORKS:**

- 1. GENERAL INFORMATION**  
THESE DRAWING PACKAGES INTEND TO SHOW SET-OUT AND DIMENSIONS OF ALL LANDSCAPE WORKS AND STRUCTURAL DETAILS. REFER TO THE RELEVANT WORKS IN THE DRAWING PACKAGES FOR THE DETAILS OF THE WORKS TO BE CONSTRUCTED. THE DIMENSIONS OF THE WORKS TO BE CONSTRUCTED SHALL BE AS SHOWN UNLESS OTHERWISE STATED.
- 2. DRAWING DIMENSIONS**  
ALL DIMENSIONS ARE IN MILLIMETERS UNLESS OTHERWISE STATED.
- 3. EXISTING TREES/VEGETATION**  
EXISTING TREES/VEGETATION TO BE RETAINED OR REMOVED SHALL BE IDENTIFIED BY THE DIMENSIONS AND SPECIES OF THE TREES/VEGETATION TO BE RETAINED OR REMOVED. THE DIMENSIONS OF THE TREES/VEGETATION TO BE RETAINED OR REMOVED SHALL BE AS SHOWN UNLESS OTHERWISE STATED.
- 4. TREE FELLING**  
ALL TREES TO BE FELLED OR REMOVED WITHOUT DELAY SHALL BE FELLED OR REMOVED WITHIN THE PERIOD OF 14 DAYS FROM THE DATE OF THE APPROVAL OF THE DRAWINGS.
- 5. GROUND PREPARATION WORKS**  
GROUND PREPARATION WORKS SHALL BE CARRIED OUT BEFORE THE COMMENCEMENT OF THE CONSTRUCTION OF THE LANDSCAPE WORKS. THE DETAILS OF THE GROUND PREPARATION WORKS SHALL BE AS SHOWN UNLESS OTHERWISE STATED.
- 6. SOIL MIX AND SOIL CONDITIONER**  
THE SOIL MIX AND SOIL CONDITIONER TO BE USED SHALL BE AS SPECIFIED IN THE DRAWINGS. THE SOIL MIX AND SOIL CONDITIONER SHALL BE APPLIED TO THE SOIL TO BE PLANTED WITHIN THE PERIOD OF 14 DAYS FROM THE DATE OF THE APPROVAL OF THE DRAWINGS.
- 7. MAINTENANCE**  
THE MAINTENANCE OF THE LANDSCAPE WORKS SHALL BE AS SPECIFIED IN THE DRAWINGS.

- 8. PLANT NAME**  
BOTANICAL NAME SHOULD TAKE PRECEDENCE TO COMMON NAME AND COMMON NAME.
- 9. PLANTING PATTERNS**  
PLANTING PATTERNS TO BE USED SHALL BE AS SHOWN UNLESS OTHERWISE STATED.
- 10. TREE PLANTING**  
LOCATION OF TREES SHALL BE AS SHOWN UNLESS OTHERWISE STATED. THE DIMENSIONS OF THE TREES SHALL BE AS SHOWN UNLESS OTHERWISE STATED. THE TREES SHALL BE PLANTED WITHIN THE PERIOD OF 14 DAYS FROM THE DATE OF THE APPROVAL OF THE DRAWINGS.
- 11. STAKING**  
STAKING SHALL BE PROVIDED FOR ALL TREES EXCEPT THOSE TO BE PLANTED IN THE SCHEDULED CONSTRUCTION AREA. THE STAKING SHALL BE PROVIDED WITHIN THE PERIOD OF 14 DAYS FROM THE DATE OF THE APPROVAL OF THE DRAWINGS.
- 12. UNDERGROUND UTILITIES**  
UNDERGROUND UTILITIES SHALL BE AS SHOWN UNLESS OTHERWISE STATED. THE DETAILS OF THE UNDERGROUND UTILITIES SHALL BE AS SHOWN UNLESS OTHERWISE STATED.
- 13. WATERING**  
THE CONSTRUCTION SHALL PROVIDE ADEQUATE WATERING FOR THE TREES TO BE PLANTED. THE DETAILS OF THE WATERING SHALL BE AS SPECIFIED IN THE DRAWINGS.

CODE	BOTANICAL NAME	COMMON NAME	SIZE	SPACING (MM)	QUANTITY
CS	LAURISTIMA CRYPTOCARPUS	SHRUB	STANDARD	AS SHOWN	22
FE	TEMPLEDOSS BIRCH	BIRCH	HEAVY STANDARD	AS SHOWN	35
PT	PELLEODENDRON TORBENSE	PALM	HEAVY STANDARD	AS SHOWN	32
TE	THEACATA CHRYSEMELE	WISTERIA	HEAVY STANDARD	AS SHOWN	41

**PLANTING SCHEDULE TREE PLANTING**



**NOTE:**  
1. THIS DRAWING SHOULD BE USED IN CONSTRUCTION WITH THE SITE PLAN AND THE CONSTRUCTION DRAWINGS.

**LEGEND:**

- SITE BOUNDARY
- EXISTING TREE TO BE RETAINED
- PROPOSED TREE PLANTING
- COMPOUND TREE PLANTING
- COMPOUND TREE WITH HEAVY STANDARD SIZE
- FINAL LOCATION OF TRANSPLANTED TREE AFTER CONSTRUCTION WORKS

C	AS-BUILT DRAWING	NO. OF SHEETS	16
B	WORKING DRAWING	NO. OF SHEETS	10
A	WORKING DRAWING NO. 1	NO. OF SHEETS	10
-	WORKING DRAWING	NO. OF SHEETS	10
25	WORKING DRAWING	NO. OF SHEETS	10

Highways Department  
Major Works Project Management Office

**CENTRAL - WAN CHAI BYPASS AND IEG LINK**  
PWP ITEM NO. 679 TH  
JOB NUMBER 679 TH  
**TREE PLANTING PLAN**  
SECTION - RM CHAI BYPASS - CENTRAL INTERCHANGE  
SHEET 1 OF 3

DRIVING NUMBER	60095653/CI/9011C
SCALE	AS BUILT DRAWING
DATE	AS BUILT DRAWING
BY	AS BUILT DRAWING
CHECKED	AS BUILT DRAWING
DATE	AS BUILT DRAWING



Tree No.	Tree Species	Chinese Name	Maintenance Dept.	Size		Crown Spread (ft)	Tree Form (Good, Fair, Poor)	Health (Good, Fair, Poor)	Anxiety Value (High, Medium, Low)	Survival of Tree (High, Medium, Low)	Recommendation
				Tree Height (m)	DBH (mm)						
T1140	<i>Rapanea nuda</i>	干巴	LCSD	7.0	240	4.0	Fair	Fair	Medium	Medium	Retain
T1141	<i>Rapanea nuda</i>	干巴	LCSD	6.5	260	4.0	Fair	Fair	Medium	Medium	Retain
T1142	<i>Rapanea nuda</i>	干巴	LCSD	6.5	315	4.5	Fair	Fair	Medium	Medium	Retain
T1143	<i>Rapanea nuda</i>	干巴	LCSD	7.5	210	4.5	Fair	Fair	Medium	Medium	Retain
T1144	<i>Rapanea nuda</i>	干巴	LCSD	9.0	300	4.5	Fair	Fair	Medium	Medium	Retain
T1145	<i>Rapanea nuda</i>	干巴	LCSD	8.5	307	4.5	Fair	Fair	Medium	Medium	Retain
T1146	<i>Rapanea nuda</i>	干巴	LCSD	9.0	330	4.5	Fair	Fair	Medium	Medium	Retain
T1147	<i>Rapanea nuda</i>	干巴	LCSD	10.0	270	4.5	Fair	Fair	Medium	Medium	Retain
T1148	<i>Rapanea nuda</i>	干巴	LCSD	7.0	260	4.0	Fair	Fair	Medium	Medium	Retain
T1149	<i>Rapanea nuda</i>	干巴	LCSD	6.5	170	4.0	Fair	Fair	Medium	Medium	Retain
T1150	<i>Rapanea nuda</i>	干巴	LCSD	10.0	304	4.5	Fair	Fair	Medium	Medium	Retain
T1151	<i>Rapanea nuda</i>	干巴	LCSD	6.5	386	4.5	Fair	Fair	Medium	Medium	Retain
T1152	<i>Rapanea nuda</i>	干巴	LCSD	8.0	370	4.0	Fair	Fair	Medium	Medium	Retain
T1153	<i>Rapanea nuda</i>	干巴	LCSD	7.0	235	4.0	Fair	Fair	Medium	Medium	Retain
T1154	<i>Rapanea nuda</i>	干巴	LCSD	9.0	248	4.5	Fair	Fair	Medium	Medium	Retain
T1155	<i>Rapanea nuda</i>	干巴	LCSD	10.0	350	4.5	Fair	Fair	Medium	Medium	Retain
T1156	<i>Rapanea nuda</i>	干巴	LCSD	7.5	260	4.5	Fair	Fair	Medium	Medium	Retain
T1157	<i>Rapanea nuda</i>	干巴	LCSD	8.0	340	4.5	Fair	Fair	Medium	Medium	Retain
T1158	<i>Rapanea nuda</i>	干巴	LCSD	8.0	308	4.5	Fair	Fair	Medium	Medium	Retain
T1159	<i>Rapanea nuda</i>	干巴	LCSD	8.0	270	4.5	Fair	Fair	Medium	Medium	Retain
T1160	<i>Rapanea nuda</i>	干巴	LCSD	5.0	230	3.5	Fair	Fair	Medium	Medium	Retain
T1161	<i>Rapanea nuda</i>	干巴	LCSD	7.0	270	4.0	Fair	Fair	Medium	Medium	Retain
T1171	<i>Rapanea nuda</i>	干巴	LCSD	7.0	210	4.0	Fair	Fair	Medium	Medium	Retain
T1172	<i>Rapanea nuda</i>	干巴	LCSD	6.5	240	4.0	Fair	Fair	Medium	Medium	Retain
T1173	<i>Rapanea nuda</i>	干巴	LCSD	7.0	230	4.0	Fair	Fair	Medium	Medium	Retain
T1174	<i>Rapanea nuda</i>	干巴	LCSD	6.5	180	4.0	Poor	Fair	Low	Medium	Retain
T1175	<i>Rapanea nuda</i>	干巴	LCSD	6.0	193	3.0	Fair	Fair	Medium	Medium	Retain
T1176	<i>Rapanea nuda</i>	干巴	LCSD	6.5	205	3.5	Poor	Fair	Low	Medium	Retain
T1177	<i>Rapanea nuda</i>	干巴	LCSD	9.0	230	4.0	Fair	Fair	Medium	Medium	Retain
T1178	<i>Rapanea nuda</i>	干巴	LCSD	7.0	210	4.0	Fair	Fair	Medium	Medium	Retain
T1179	<i>Rapanea nuda</i>	干巴	LCSD	6.5	170	4.0	Fair	Fair	Medium	Medium	Retain
T1180	<i>Rapanea nuda</i>	干巴	LCSD	7.0	230	4.0	Fair	Fair	Medium	Medium	Retain
T1181	<i>Rapanea nuda</i>	干巴	LCSD	7.5	221	4.0	Fair	Fair	Medium	Medium	Retain
T1182	<i>Rapanea nuda</i>	干巴	LCSD	6.5	210	4.0	Fair	Fair	Medium	Medium	Retain
T1183	<i>Rapanea nuda</i>	干巴	LCSD	7.0	180	4.0	Fair	Fair	Medium	Medium	Retain
T1184	<i>Rapanea nuda</i>	干巴	LCSD	6.5	230	4.0	Fair	Fair	Medium	Medium	Retain
T1185	<i>Rapanea nuda</i>	干巴	LCSD	7.0	230	4.0	Fair	Fair	Medium	Medium	Retain
T1186	<i>Rapanea nuda</i>	干巴	LCSD	9.0	220	4.0	Fair	Fair	Medium	Medium	Retain
T1187	<i>Rapanea nuda</i>	干巴	LCSD	8.0	220	4.0	Fair	Fair	Medium	Medium	Retain
T1188	<i>Rapanea nuda</i>	干巴	LCSD	8.0	210	5.0	Fair	Fair	Medium	Medium	Retain
T1189	<i>Rapanea nuda</i>	干巴	LCSD	7.5	240	4.5	Fair	Fair	Medium	Medium	Retain
T1190	<i>Rapanea nuda</i>	干巴	LCSD	6.0	220	4.0	Fair	Fair	Medium	Medium	Retain
T1191	<i>Rapanea nuda</i>	干巴	LCSD	7.0	230	3.5	Fair	Fair	Medium	Medium	Retain
T1192	<i>Rapanea nuda</i>	干巴	LCSD	10.0	260	4.5	Fair	Fair	Medium	Medium	Retain
T1193	<i>Rapanea nuda</i>	干巴	LCSD	10.0	270	4.0	Fair	Fair	Medium	Medium	Retain
T1195	<i>Rapanea nuda</i>	干巴	LCSD	9.0	210	6.0	Fair	Fair	Medium	Medium	Retain
T1196	<i>Rapanea nuda</i>	干巴	LCSD	8.0	265	4.5	Fair	Fair	Medium	Medium	Retain
T1197	<i>Rapanea nuda</i>	干巴	LCSD	9.0	250	4.5	Fair	Fair	Medium	Medium	Retain
T1198	<i>Rapanea nuda</i>	干巴	LCSD	6.0	190	4.0	Fair	Fair	Medium	Medium	Retain

Tree No.	Tree Species	Chinese Name	Maintenance Dept.	Size		Crown Spread (ft)	Tree Form (Good, Fair, Poor)	Health (Good, Fair, Medium, Low)	Aerobic Value (High, Medium, Low)	Survival of Transplant (High, Medium, Low)	Recommendation
				Tree Height (m)	DBH (cm)						
T1189	<i>Rapanea naga</i>	王林	LCSD	6.0	21.0	4.5	Fair	Fair	Medium	Medium	Retain
T1200	<i>Rapanea naga</i>	王林	LCSD	6.0	21.0	4.0	Fair	Poor	Medium	Medium	Retain
T1201	<i>Rapanea naga</i>	王林	LCSD	8.0	26.5	4.0	Fair	Fair	Medium	Medium	Retain
T1202	<i>Rapanea naga</i>	王林	LCSD	8.0	21.0	4.0	Fair	Fair	Medium	Medium	Retain
T1231	<i>Rapanea naga</i>	王林	LCSD	7.0	23.0	4.0	Fair	Fair	Medium	Medium	Retain
T1222	<i>Rapanea naga</i>	王林	LCSD	7.0	26.0	4.5	Fair	Fair	Medium	Medium	Retain
T1234	<i>Alseodaphne</i>	王林	LCSD	6.0	17.0	3.8	Fair	Fair	Medium	Low	Retain
T1235	<i>Alseodaphne</i>	王林	LCSD	7.0	17.0	4.0	Fair	Fair	Medium	Low	Retain
T1237	<i>Alseodaphne</i>	王林	LCSD	7.0	17.0	5.0	Fair	Fair	Medium	Low	Retain
T1245	<i>Rapanea naga</i>	王林	LCSD	11.0	26.5	4.5	Fair	Fair	Medium	Medium	Retain
T1246	<i>Rapanea naga</i>	王林	LCSD	9.0	22.5	4.5	Fair	Fair	Medium	Medium	Retain
T1247	<i>Rapanea naga</i>	王林	LCSD	8.0	23.0	3.0	Fair	Fair	Medium	Medium	Retain
T1249	<i>Rapanea naga</i>	王林	LCSD	6.0	23.0	4.0	Fair	Fair	Medium	Medium	Retain
T1250	<i>Rapanea naga</i>	王林	LCSD	5.5	18.5	3.5	Fair	Fair	Medium	Medium	Retain
T1252	<i>Rapanea naga</i>	王林	LCSD	5.5	16.0	3.5	Fair	Fair	Medium	Medium	Retain
T1253	<i>Rapanea naga</i>	王林	LCSD	5.5	16.0	3.0	Poor	Fair	Medium	Medium	Retain
T1254	<i>Rapanea naga</i>	王林	LCSD	3.5	13.0	2.0	Poor	Poor	Medium	Medium	Retain
T1258	<i>Rapanea naga</i>	王林	LCSD	3.5	14.0	2.0	Poor	Poor	Low	Low	Retain
T1259	<i>Rapanea naga</i>	王林	LCSD	6.5	18.5	3.0	Fair	Fair	Medium	Medium	Retain
T1259	<i>Alseodaphne</i>	王林	LCSD	3.0	14.5	2.0	Fair	Fair	Medium	Medium	Retain
T1260	<i>Alseodaphne</i>	王林	LCSD	5.0	14.0	3.0	Fair	Fair	Medium	Medium	Retain
T1261	<i>Rapanea naga</i>	王林	LCSD	3.0	3.0	4.5	Fair	Fair	Medium	Medium	Retain
T1262	<i>Rapanea naga</i>	王林	LCSD	8.0	27.0	4.0	Fair	Fair	Medium	Medium	Retain
T1263	<i>Rapanea naga</i>	王林	LCSD	7.5	16.0	4.0	Fair	Fair	Medium	Medium	Retain
T1264	<i>Rapanea naga</i>	王林	LCSD	8.0	22.0	4.5	Fair	Fair	Medium	Medium	Retain
T1265	<i>Rapanea naga</i>	王林	LCSD	8.0	20.5	3.0	Poor	Poor	Medium	Low	Retain
T1266	<i>Rapanea naga</i>	王林	LCSD	5.5	16.5	4.0	Fair	Fair	Medium	Medium	Retain
T1267	<i>Rapanea naga</i>	王林	LCSD	9.0	32.5	4.5	Fair	Fair	Medium	Medium	Retain
T1268	<i>Alseodaphne</i>	王林	LCSD	7.5	22.0	4.0	Fair	Fair	Medium	Low	Retain
T1269	<i>Alseodaphne</i>	王林	LCSD	8.0	19.0	5.0	Fair	Fair	Medium	Low	Retain
T1271	<i>Alseodaphne</i>	王林	LCSD	8.5	13.0	5.0	Fair	Fair	Medium	Low	Retain
T1272	<i>Alseodaphne</i>	王林	LCSD	4.0	13.0	5.0	Fair	Fair	Medium	Low	Retain
T1287	<i>Rapanea naga</i>	王林	LCSD	7.0	23.0	4.0	Fair	Fair	Medium	Medium	Retain
T1288	<i>Rapanea naga</i>	王林	LCSD	6.0	20.0	4.0	Fair	Poor	Medium	Medium	Retain
T1291	<i>Rapanea naga</i>	王林	LCSD	9.0	26.5	5.0	Fair	Fair	Medium	Medium	Retain
T1291	<i>Rapanea naga</i>	王林	LCSD	9.0	26.5	5.0	Fair	Fair	Medium	Medium	Retain
T1291	<i>Rapanea naga</i>	王林	LCSD	8.0	26.0	4.0	Fair	Fair	Medium	Medium	Retain
T1299	<i>Rapanea naga</i>	王林	LCSD	6.0	26.0	4.0	Fair	Fair	Medium	Medium	Retain
T1301	<i>Rapanea naga</i>	王林	LCSD	6.0	20.0	4.0	Fair	Fair	Medium	Medium	Retain
T1305	<i>Rapanea naga</i>	王林	LCSD	8.0	26.0	4.0	Fair	Fair	Medium	Medium	Retain
T1309	<i>Rapanea naga</i>	王林	LCSD	6.0	26.0	4.0	Fair	Fair	Medium	Medium	Retain
T1311	<i>Rapanea naga</i>	王林	LCSD	6.0	22.0	4.0	Fair	Fair	Medium	Medium	Retain
T1312	<i>Rapanea naga</i>	王林	LCSD	6.0	22.0	4.0	Fair	Fair	Medium	Medium	Retain
T1312	<i>Rapanea naga</i>	王林	LCSD	6.0	25.0	4.0	Fair	Fair	Medium	Medium	Retain
T1313	<i>Rapanea naga</i>	王林	LCSD	6.0	19.0	4.0	Fair	Fair	Medium	Medium	Retain
T1314	<i>Rapanea naga</i>	王林	LCSD	6.0	22.0	4.0	Fair	Fair	Medium	Medium	Retain
T1315	<i>Rapanea naga</i>	王林	LCSD	6.0	22.0	4.0	Fair	Fair	Medium	Medium	Retain
T1316	<i>Rapanea naga</i>	王林	LCSD	6.0	18.0	4.0	Fair	Fair	Medium	Medium	Retain
T1317	<i>Rapanea naga</i>	王林	LCSD	6.0	27.0	4.0	Fair	Fair	Medium	Medium	Retain
T1318	<i>Rapanea naga</i>	王林	LCSD	6.0	20.0	4.0	Fair	Fair	Medium	Medium	Retain
T1319	<i>Alseodaphne</i>	王林	LCSD	6.0	10.5	4.0	Fair	Fair	Medium	Low	Retain
T1320	<i>Alseodaphne</i>	王林	LCSD	6.0	11.0	4.0	Fair	Fair	Medium	Low	Retain

Tree Information of Retained Tree

Tree No.	Tree Species	Chinese Name	Maintenance Disk	Site		Crown Spread (m)	Tree Form (Fair, Poor)	Health Cond. (High, Medium, Low)	Amenity Value (High, Medium, Low)	Survival of Tree (High, Medium, Low)	Recommendation
				Tree Height (m)	Open (m)						
T1323	<i>Albizia schotiana</i>	白楸	LGSD	0.0	17.0	4.0	Fair	Fair	Medium	Low	Retain
T1324	<i>Royalsone regia</i>	王林	LGSD	8.0	23.0	4.0	Fair	Fair	Medium	Medium	Retain
T1326	<i>Royalsone regia</i>	王林	LGSD	7.0	27.0	4.0	Fair	Fair	Medium	Medium	Retain
T1327	<i>Royalsone regia</i>	王林	LGSD	7.0	19.0	4.0	Fair	Fair	Medium	Medium	Retain
T1328	<i>Royalsone regia</i>	王林	LGSD	7.0	22.0	4.0	Fair	Fair	Medium	Medium	Retain
T1329	<i>Royalsone regia</i>	王林	LGSD	7.0	21.0	4.0	Fair	Fair	Medium	Medium	Retain
T1330	<i>Royalsone regia</i>	王林	LGSD	2.5	26.0	4.0	Fair	Fair	Medium	Medium	Retain
T1331	<i>Royalsone regia</i>	王林	LGSD	8.0	25.0	4.5	Fair	Fair	Medium	Medium	Retain
T1332	<i>Royalsone regia</i>	王林	LGSD	6.0	16.0	3.5	Fair	Fair	Medium	Medium	Retain
T1333	<i>Royalsone regia</i>	王林	LGSD	6.0	20.0	4.0	Fair	Fair	Medium	Medium	Retain
T1334	<i>Royalsone regia</i>	王林	LGSD	6.0	22.0	4.0	Fair	Fair	Medium	Medium	Retain
T1335	<i>Royalsone regia</i>	王林	LGSD	5.5	17.0	3.0	Fair	Fair	Medium	Medium	Retain
T1336	<i>Royalsone regia</i>	王林	LGSD	6.0	25.0	4.0	Fair	Fair	Medium	Medium	Retain
T1337	<i>Royalsone regia</i>	王林	LGSD	7.0	21.0	3.5	Fair	Fair	Medium	Medium	Retain
T1342	<i>Royalsone regia</i>	王林	LGSD	8.5	30.0	4.5	Fair	Fair	Medium	Medium	Retain
T1343	<i>Royalsone regia</i>	王林	LGSD	6.5	20.0	4.5	Fair	Fair	Medium	Medium	Retain
T1344	<i>Royalsone regia</i>	王林	LGSD	6.0	26.0	4.0	Fair	Fair	Medium	Medium	Retain
T1345	<i>Royalsone regia</i>	王林	LGSD	5.5	26.0	3.0	Fair	Fair	Medium	Medium	Retain
T1346	<i>Royalsone regia</i>	王林	LGSD	7.5	26.0	4.0	Fair	Fair	Medium	Medium	Retain
T1347	<i>Royalsone regia</i>	王林	LGSD	7.0	26.0	4.0	Fair	Fair	Medium	Medium	Retain
T1348	<i>Royalsone regia</i>	王林	LGSD	5.5	16.0	3.0	Fair	Fair	Medium	Medium	Retain
T1394	<i>Royalsone regia</i>	王林	LGSD	5.0	16.0	2.5	Fair	Fair	Medium	Medium	Retain
T1395	<i>Royalsone regia</i>	王林	LGSD	5.0	22.0	4.0	Fair	Fair	Medium	Medium	Retain
T1398	<i>Royalsone regia</i>	王林	LGSD	7.5	26.0	4.0	Fair	Fair	Medium	Medium	Retain
T1401	<i>Albizia albizia</i>	白楸	LGSD	7.0	16.0	6.0	Fair	Fair	Medium	Low	Retain
T1402	<i>Albizia albizia</i>	白楸	LGSD	7.0	13.0	4.0	Fair	Fair	Medium	Low	Retain
T1403	<i>Albizia albizia</i>	白楸	LGSD	8.0	22.0	6.0	Fair	Fair	Medium	Low	Retain
T1404	<i>Albizia albizia</i>	白楸	LGSD	8.0	17.0	6.0	Fair	Fair	Medium	Low	Retain
T1405	<i>Albizia albizia</i>	白楸	LGSD	7.0	13.0	4.0	Fair	Fair	Medium	Low	Retain
T1407	<i>Royalsone regia</i>	王林	LGSD	7.0	24.0	4.0	Fair	Fair	Medium	Medium	Retain
T1414	<i>Royalsone regia</i>	王林	LGSD	7.0	31.0	4.5	Fair	Fair	Medium	Medium	Retain
T1415	<i>Royalsone regia</i>	王林	LGSD	6.0	26.0	4.0	Fair	Fair	Medium	Medium	Retain
T1449	<i>Acacia confusa</i>	刺楸	LGSD	6.0	15.0	7.0	Poor	Poor	Medium	Low	Retain
T1441	<i>Acacia confusa</i>	刺楸	LGSD	6.0	20.0	5.0	Fair	Poor	Medium	Low	Retain
T1442	<i>Ficus abnormis</i>	大果榕	LGSD	6.0	25.0	6.0	Fair	Fair	Medium	Medium	Retain
T1443	<i>Ficus abnormis</i>	大果榕	LGSD	4.0	22.0	2.5	Fair	Fair	Medium	Medium	Retain
T1444	<i>Ficus abnormis</i>	大果榕	LGSD	4.0	15.0	3.0	Fair	Fair	Medium	Medium	Retain
T1413	<i>Royalsone regia</i>	王林	LGSD	9.5	28.0	4.0	Fair	Fair	Medium	Medium	Retain
T1414	<i>Royalsone regia</i>	王林	LGSD	8.5	26.0	4.0	Fair	Fair	Medium	Medium	Retain
T1415	<i>Royalsone regia</i>	王林	LGSD	8.5	23.0	4.5	Fair	Fair	Medium	Medium	Retain
T1416	<i>Royalsone regia</i>	王林	LGSD	7.5	24.0	4.0	Fair	Fair	Medium	Medium	Retain
T1417	<i>Royalsone regia</i>	王林	LGSD	9.0	24.5	4.0	Fair	Fair	Medium	Medium	Retain
T1418	<i>Royalsone regia</i>	王林	LGSD	6.0	29.0	4.0	Fair	Fair	Medium	Medium	Retain
T1496	<i>Royalsone regia</i>	王林	LGSD	7.0	24.0	4.0	Fair	Fair	Medium	Medium	Retain
T1513	<i>Casuarina equisetifolia</i>	木麻黄	LGSD	13.0	23.0	7.0	Fair	Fair	Medium	Low	Retain
T1514	<i>Royalsone regia</i>	王林	LGSD	6.0	20.0	4.0	Fair	Fair	Medium	Medium	Retain
T1518	<i>Casuarina equisetifolia</i>	木麻黄	LGSD	13.0	20.0	5.0	Fair	Fair	Medium	Low	Retain
T1517	<i>Casuarina equisetifolia</i>	木麻黄	LGSD	12.0	14.0	6.0	Fair	Fair	Medium	Low	Retain



Tree No.	Tree Species	Chinese Name	Maintenance Dept.	Size		Tree Firm (Good, Fair, Poor)	Health Check (Dead/Alive)	Amesby Value (High, Medium, Low)	Survival of Tree (High, Medium, Low)	Recommendation
				Tree Height (m)	Crown Spread (m)					
T1510	<i>Roydonia royi</i>	土松	LCSB	5.0	4.0	Fair	Fair	Medium	Medium	Retain
T1520	<i>Ficus robusta</i>	大叶相思树	LCSB	7.0	8.0	Fair	Fair	Medium	Medium	Retain
T1521	<i>Ficus hibida</i>	山桐子	LCSB	5.0	7.0	Fair	Fair	Medium	Medium	Retain
T1522	<i>Ficus hibida</i>	山桐子	LCSB	8.5	8.0	Fair	Fair	Medium	Medium	Retain
T1523	<i>Ficus robusta</i>	大叶相思树	LCSB	5.0	13.0	Fair	Fair	Medium	Medium	Retain
T1525	<i>Roydonia royi</i>	土松	LCSB	6.5	23.0	Fair	Fair	Medium	Medium	Retain
T1526	<i>Roydonia royi</i>	土松	LCSB	5.5	20.0	Fair	Fair	Medium	Medium	Retain
T1528	<i>Roydonia royi</i>	土松	LCSB	7.0	20.0	Fair	Fair	Medium	Medium	Retain
T1530	<i>Ficus robusta</i>	大叶相思树	LCSB	8.0	13.0	Fair	Fair	Medium	Medium	Retain
T1531	<i>Ficus robusta</i>	大叶相思树	LCSB	7.5	20.0	Fair	Fair	Medium	Medium	Retain
T1533	<i>Roydonia royi</i>	土松	LCSB	7.0	25.0	Fair	Fair	Medium	Medium	Retain
T1534	<i>Roydonia royi</i>	土松	LCSB	7.5	24.0	Fair	Fair	Medium	Medium	Retain
T1536	<i>Roydonia royi</i>	土松	LCSB	5.0	28.0	Fair	Fair	Medium	Medium	Retain
T1537	<i>Roydonia royi</i>	土松	LCSB	7.0	12.0	Fair	Fair	Medium	Medium	Retain
T1538	<i>Bauhinia variegata</i>	洋紫荆	LCSB	7.0	12.0	Fair	Fair	Medium	Medium	Retain
T1540	<i>Bauhinia variegata</i>	洋紫荆	LCSB	7.0	13.0	Fair	Fair	Medium	Medium	Retain
T1546	<i>Casuarina equisetifolia</i>	木麻黄	LCSB	12.0	19.0	Fair	Fair	Medium	Low	Retain
T1549	<i>Roydonia royi</i>	土松	LCSB	8.0	26.0	Fair	Fair	Medium	Medium	Retain
T1551	<i>Roydonia royi</i>	土松	LCSB	7.0	22.0	Fair	Fair	Medium	Medium	Retain
T1552	<i>Bauhinia variegata</i>	洋紫荆	LCSB	5.0	14.0	Fair	Fair	Medium	Medium	Retain
T1553	<i>Roydonia royi</i>	土松	LCSB	8.0	29.0	Fair	Fair	Medium	Medium	Retain
T1555	<i>Roydonia royi</i>	土松	LCSB	6.0	28.0	Fair	Fair	Medium	Medium	Retain
T1569	<i>Roydonia royi</i>	土松	LCSB	5.0	29.0	Fair	Fair	Medium	Medium	Retain
T1561	<i>Roydonia royi</i>	土松	LCSB	10.0	30.0	Fair	Fair	Medium	Medium	Retain
T1562	<i>Roydonia royi</i>	土松	LCSB	9.0	25.0	Fair	Fair	Medium	Medium	Retain
T1563	<i>Roydonia royi</i>	土松	LCSB	8.0	27.0	Fair	Fair	Medium	Medium	Retain
T1564	<i>Roydonia royi</i>	土松	LCSB	7.0	25.0	Fair	Fair	Medium	Medium	Retain
T1565	<i>Roydonia royi</i>	土松	LCSB	9.0	33.0	Fair	Fair	Medium	Medium	Retain
T1566	<i>Roydonia royi</i>	土松	LCSB	8.0	29.0	Fair	Fair	Medium	Medium	Retain
T1567	<i>Roydonia royi</i>	土松	LCSB	8.0	29.0	Fair	Fair	Medium	Medium	Retain
T1568	<i>Roydonia royi</i>	土松	LCSB	8.0	27.0	Fair	Fair	Medium	Medium	Retain
T1569	<i>Roydonia royi</i>	土松	LCSB	8.0	22.0	Fair	Fair	Medium	Medium	Retain
T1571	<i>Roydonia royi</i>	土松	LCSB	8.0	23.0	Fair	Fair	Medium	Medium	Retain
T1572	<i>Roydonia royi</i>	土松	LCSB	7.0	25.0	Fair	Fair	Medium	Medium	Retain
T1573	<i>Roydonia royi</i>	土松	LCSB	7.5	24.0	Fair	Fair	Medium	Medium	Retain
T1576	<i>Roydonia royi</i>	土松	LCSB	7.0	26.0	Fair	Poor	Medium	Low	Retain
T1576	<i>Roydonia royi</i>	土松	LCSB	7.0	20.0	Fair	Fair	Medium	Medium	Retain
T1577	<i>Roydonia royi</i>	土松	LCSB	6.0	7.0	Fair	Fair	Medium	Medium	Retain
T1578	<i>Roydonia royi</i>	土松	LCSB	8.0	29.0	Fair	Fair	Medium	Medium	Retain
T1579	<i>Roydonia royi</i>	土松	LCSB	8.0	28.0	Fair	Fair	Medium	Medium	Retain
T1580	<i>Roydonia royi</i>	土松	LCSB	1.5	3.0	Fair	Fair	Medium	Medium	Retain
T1581	<i>Leptocarpus tenax</i>	山毛榉	LCSB	1.5	3.0	Fair	Fair	Medium	Medium	Retain
T1582	<i>Leptocarpus tenax</i>	山毛榉	LCSB	1.5	3.0	Fair	Fair	Medium	Medium	Retain
T1583	<i>Leptocarpus tenax</i>	山毛榉	LCSB	1.5	3.0	Fair	Fair	Medium	Medium	Retain
T1584	<i>Leptocarpus tenax</i>	山毛榉	LCSB	1.5	3.0	Fair	Fair	Medium	Medium	Retain
T1585	<i>Leptocarpus tenax</i>	山毛榉	LCSB	1.5	3.0	Fair	Fair	Medium	Medium	Retain
T1586	<i>Leptocarpus tenax</i>	山毛榉	LCSB	1.5	3.0	Fair	Fair	Medium	Medium	Retain
T1587	<i>Leptocarpus tenax</i>	山毛榉	LCSB	1.5	3.0	Fair	Fair	Medium	Medium	Retain

Tree Information of Retained Tree

Tree No.	Tree Species	Chinese Name	Maintenance Dept.	Size		Tree Form (Good, Fair, Poor)	Health (Good, Fair, Poor)	Survival of Tree (High, Medium, Low)	Recommendation
				Tree Height (m)	Crown Spread (m)				
T1508	<i>Eucalyptus chinensis</i>	桉树	LCSD	1.00	3.0	Fair	Fair	Medium	Retain
T1509	<i>Eucalyptus densata</i>	桉树	LCSD	1.0	3.0	Fair	Fair	Medium	Retain
T1510	<i>Eucalyptus chinensis</i>	桉树	LCSD	1.00	3.0	Fair	Fair	Medium	Retain
T1511	<i>Eucalyptus chinensis</i>	桉树	LCSD	1.00	3.0	Poor	Fair	Low	Retain
T1512	<i>Eucalyptus chinensis</i>	桉树	LCSD	1.00	3.0	Poor	Fair	Low	Retain
T1601	<i>Bauhinia variegata</i>	紫荆花树	LCSD	7.0	6.0	Fair	Dead	Medium	Retain
T1602	<i>Bauhinia variegata</i>	紫荆花树	LCSD	7.0	15.0	Fair	Dead	Medium	Retain
T1603	<i>Bauhinia variegata</i>	紫荆花树	LCSD	11.0	14.0	Fair	Fair	Medium	Retain
T1604	<i>Bauhinia variegata</i>	紫荆花树	LCSD	11.0	18.0	Fair	Fair	Medium	Retain
T1610	<i>Bauhinia variegata</i>	紫荆花树	LCSD	7.0	10.0	Fair	Fair	Medium	Retain
T1611	<i>Bauhinia variegata</i>	紫荆花树	LCSD	8.5	14.0	Fair	Fair	Medium	Retain
T1614	<i>Bauhinia variegata</i>	紫荆花树	LCSD	9.0	18.0	Poor	Fair	Medium	Retain
T1615	<i>Raytonia regia</i>	王皇	LCSD	6.0	19.0	Fair	Fair	Medium	Retain
T1617	<i>Raytonia regia</i>	王皇	LCSD	9.0	20.0	Fair	Fair	Medium	Retain
T1619	<i>Raytonia regia</i>	王皇	LCSD	9.5	20.0	Fair	Fair	Medium	Retain
T1620	<i>Raytonia regia</i>	王皇	LCSD	10.0	20.0	Fair	Fair	Medium	Retain
T1623	<i>Raytonia regia</i>	王皇	LCSD	10.0	28.0	Fair	Fair	Medium	Retain
T1624	<i>Raytonia regia</i>	王皇	LCSD	7.0	26.0	Fair	Fair	Medium	Retain
T1629	<i>Raytonia regia</i>	王皇	LCSD	8.0	26.0	Fair	Fair	Medium	Retain
T1630	<i>Raytonia regia</i>	王皇	LCSD	9.0	26.0	Fair	Fair	Medium	Retain
T1631	<i>Raytonia regia</i>	王皇	LCSD	9.0	30.0	Fair	Fair	Medium	Retain
T1632	<i>Raytonia regia</i>	王皇	LCSD	7.0	19.0	Poor	Fair	Low	Retain
T1633	<i>Raytonia regia</i>	王皇	LCSD	9.5	30.0	Fair	Fair	Medium	Retain
T1634	<i>Raytonia regia</i>	王皇	LCSD	8.0	27.0	Fair	Fair	Medium	Retain
T1635	<i>Raytonia regia</i>	王皇	LCSD	9.0	33.0	Fair	Fair	Medium	Retain
T1639	<i>Raytonia regia</i>	王皇	LCSD	7.0	26.0	Fair	Fair	Medium	Retain
T1640	<i>Raytonia regia</i>	王皇	LCSD	8.0	27.0	Fair	Fair	Medium	Retain
T1641	<i>Raytonia regia</i>	王皇	LCSD	8.0	30.0	Fair	Fair	Medium	Retain
T1642	<i>Callistemon viminalis</i>	帝王皇	LCSD	7.0	19.0	Fair	Fair	Medium	Retain
T1643	<i>Raytonia regia</i>	王皇	LCSD	7.5	24.0	Fair	Fair	Medium	Retain
T1644	<i>Raytonia regia</i>	王皇	LCSD	8.0	30.0	Fair	Fair	Medium	Retain
T1645	<i>Raytonia regia</i>	王皇	LCSD	9.0	30.0	Fair	Fair	Medium	Retain
T1646	<i>Raytonia regia</i>	王皇	LCSD	7.0	24.0	Fair	Fair	Medium	Retain
T1647	<i>Raytonia regia</i>	王皇	LCSD	8.0	32.0	Fair	Fair	Medium	Retain
T1648	<i>Raytonia regia</i>	王皇	LCSD	7.0	24.0	Fair	Fair	Medium	Retain
T1650	<i>Raytonia regia</i>	王皇	LCSD	10.0	34.0	Fair	Fair	Medium	Retain
T1651	<i>Raytonia regia</i>	王皇	LCSD	10.0	34.0	Fair	Fair	Medium	Retain
T1652	<i>Raytonia regia</i>	王皇	LCSD	9.0	35.0	Fair	Fair	Medium	Retain
T1653	<i>Raytonia regia</i>	王皇	LCSD	7.0	24.0	Fair	Fair	Medium	Retain
T1658	<i>Raytonia regia</i>	王皇	LCSD	9.0	35.0	Fair	Fair	Medium	Retain
T1657	<i>Raytonia regia</i>	王皇	LCSD	8.0	36.0	Fair	Fair	Medium	Retain
T1658	<i>Raytonia regia</i>	王皇	LCSD	7.5	30.0	Fair	Fair	Medium	Retain
T1659	<i>Raytonia regia</i>	王皇	LCSD	8.0	30.0	Fair	Fair	Medium	Retain
T1661	<i>Raytonia regia</i>	王皇	LCSD	10.0	41.0	Fair	Fair	Medium	Retain
T1662	<i>Raytonia regia</i>	王皇	LCSD	10.0	36.0	Fair	Fair	Medium	Retain
T1663	<i>Raytonia regia</i>	王皇	LCSD	8.5	24.0	Fair	Fair	Medium	Retain
T1668	<i>Raytonia regia</i>	王皇	LCSD	10.0	34.0	Fair	Fair	Medium	Retain
T1669	<i>Raytonia regia</i>	王皇	LCSD	9.0	32.0	Fair	Fair	Medium	Retain
T1670	<i>Raytonia regia</i>	王皇	LCSD	9.0	28.0	Fair	Fair	Medium	Retain

Tree No.	Tree Species	Chinese Name	Maintenance Dpt.	Size		Tree Form (Good, Fair, Poor)	Health (Good, Fair, Poor)	Amenity Value (High, Medium, Low)	Survival of Tree (High, Medium, Low)	Recommendation
				Tree Height (m)	Crown Spread (m)					
T1071	<i>Roystonia royi</i>	王林	LCSD	9.0	4.5	Fair	Fair	Medium	Medium	Retain
T1072	<i>Roystonia royi</i>	王林	LCSD	9.0	3.15	Fair	Fair	Medium	Medium	Retain
T1074	<i>Roystonia royi</i>	王林	LCSD	9.5	3.20	Fair	Fair	Medium	Medium	Retain
T1076	<i>Roystonia royi</i>	王林	LCSD	9.5	3.00	Fair	Fair	Medium	Medium	Retain
T1077	<i>Roystonia royi</i>	王林	LCSD	10.0	3.20	Fair	Fair	Medium	Medium	Retain
T1078	<i>Roystonia royi</i>	王林	LCSD	9.5	2.50	Fair	Fair	Medium	Medium	Retain
T1079	<i>Roystonia royi</i>	王林	LCSD	10.0	3.00	Fair	Fair	Medium	Medium	Retain
T1080	<i>Roystonia royi</i>	王林	LCSD	9.5	3.00	Fair	Removed	Medium	Medium	Retain
T1081	<i>Roystonia royi</i>	王林	LCSD	9.5	3.00	Fair	Fair	Medium	Medium	Retain
T1083	<i>Roystonia royi</i>	王林	LCSD	9.0	2.60	Fair	Fair	Medium	Medium	Retain
T1085	<i>Roystonia royi</i>	王林	LCSD	8.0	2.90	Fair	Fair	Medium	Medium	Retain
T1086	<i>Roystonia royi</i>	王林	LCSD	8.0	2.60	Fair	Fair	Medium	Medium	Retain
T1087	<i>Roystonia royi</i>	王林	LCSD	7.0	2.30	Fair	Fair	Medium	Medium	Retain
T1092	<i>Callistemon citrinus</i>	粉花野牡丹	LCSD	1.0	1.0	Fair	Fair	Medium	Low	Retain
T1097	<i>Acrocyba vespertina</i>	黄行仔叶	LCSD	0.0	1.0	Poor	Fair	Low	Medium	Retain
T1098	<i>Bauhinia bhairavi</i>	双喜花	LCSD	12.0	1.0	Poor	Fair	Low	Medium	Retain
T1099	<i>Nyssa sargentiana</i>	乌桕	LCSD	14.0	2.0	Fair	Fair	Medium	Low	Retain
T1103	<i>Nyssa sargentiana</i>	乌桕	LCSD	12.0	3.0	Fair	Fair	Medium	Low	Retain
T1104	<i>Nyssa sargentiana</i>	乌桕	LCSD	12.0	2.50	Fair	Fair	Medium	Low	Retain
T1105	<i>Nyssa sargentiana</i>	乌桕	LCSD	12.0	3.0	Fair	Fair	Medium	Low	Retain
T1106	<i>Bauhinia bhairavi</i>	双喜花	LCSD	7.0	2.0	Fair	Fair	Medium	Medium	Retain
T1172	<i>Lagerströmia speciosa</i>	大花风铃木	LCSD	7.0	1.0	Fair	Fair	Medium	Low	Retain
T1174	<i>Lagerströmia speciosa</i>	大花风铃木	LCSD	7.0	1.0	Fair	Fair	Medium	Low	Retain
T1175	<i>Lagerströmia speciosa</i>	大花风铃木	LCSD	8.0	1.0	Fair	Fair	Medium	Low	Retain
T1029	<i>Roystonia royi</i>	王林	LCSD	10.0	3.00	Fair	Fair	Medium	Medium	Retain
T1033	<i>Ficus religiosa</i>	菩提树	LCSD	3.0	1.5	Fair	Fair	Medium	Medium	Retain
T1038	<i>Ficus religiosa</i>	菩提树	LCSD	5.0	4.0	Fair	Fair	Medium	Medium	Retain
T1039	<i>Ficus religiosa</i>	菩提树	LCSD	7.0	6.0	Fair	Fair	Medium	Medium	Retain
T1060	<i>Nyssa sargentiana</i>	乌桕	LCSD	9.0	2.0	Fair	Fair	Medium	Low	Retain
T1061	<i>Nyssa sargentiana</i>	乌桕	LCSD	10.0	2.00	Fair	Fair	Medium	Low	Retain
T1062	<i>Nyssa sargentiana</i>	乌桕	LCSD	9.0	3.00	Fair	Fair	Medium	Low	Retain
T1063	<i>Nyssa sargentiana</i>	乌桕	LCSD	7.0	2.0	Poor	Fair	Low	Low	Retain
T1064	<i>Nyssa sargentiana</i>	乌桕	LCSD	8.0	2.0	Fair	Fair	Medium	Low	Retain
T1074	<i>Ficus religiosa</i>	菩提树	LCSD	8.0	2.60	Fair	Fair	Medium	Medium	Retain
T1075	<i>Ficus religiosa</i>	菩提树	LCSD	8.0	2.0	Fair	Fair	Medium	Medium	Retain
T1076	<i>Ficus religiosa</i>	菩提树	LCSD	8.0	2.0	Fair	Fair	Medium	Medium	Retain
T1077	<i>Ficus religiosa</i>	菩提树	LCSD	8.5	2.40	Fair	Fair	Medium	Medium	Retain
T1078	<i>Ficus religiosa</i>	菩提树	LCSD	8.5	2.90	Fair	Fair	Medium	Medium	Retain
T1079	<i>Ficus religiosa</i>	菩提树	LCSD	8.0	3.00	Fair	Fair	Medium	Medium	Retain
T1080	<i>Ficus religiosa</i>	菩提树	LCSD	8.0	2.10	Fair	Fair	Medium	Medium	Retain
T1081	<i>Ficus religiosa</i>	菩提树	LCSD	8.0	2.30	Fair	Fair	Medium	Medium	Retain
T1082	<i>Ficus religiosa</i>	菩提树	LCSD	8.0	2.40	Fair	Fair	Medium	Medium	Retain
T1084	<i>Ficus religiosa</i>	菩提树	LCSD	7.0	2.0	Fair	Fair	Medium	Medium	Retain
T1085	<i>Ficus religiosa</i>	菩提树	LCSD	7.0	1.90	Fair	Fair	Medium	Medium	Retain
T1087	<i>Ficus religiosa</i>	菩提树	LCSD	8.0	2.0	Fair	Fair	Medium	Medium	Retain
T1088	<i>Ficus religiosa</i>	菩提树	LCSD	8.0	1.60	Fair	Fair	Medium	Medium	Retain

Tree Information of Retained Tree

Tree No.	Tree Species	Chinese Name	Maintenance Dist.	Site		Crown Spread (m)	Tree Form (Good, Fair, Poor)	Health (Good, Fair, Poor)	Arms/Value (High, Medium, Low)	Survival of Tree (High, Medium, Low)	Recommendation
				Tree Height (m)	DBH (cm)						
T1849	Ficus berylioides	墨耳欖	LCSD	7.5	200	6.0	Fair	Fair	Medium	Retain	
T1890	Ficus berylioides	墨耳欖	LCSD	7.5	220	8.0	Fair	Fair	Medium	Retain	
T1891	Ficus berylioides	墨耳欖	LCSD	7.5	170	7.0	Fair	Fair	Medium	Retain	
T1892	Ficus berylioides	墨耳欖	LCSD	8.0	200	7.0	Fair	Fair	Medium	Retain	
T1893	Ficus berylioides	墨耳欖	LCSD	8.0	180	8.0	Fair	Fair	Medium	Retain	
T1896	Ficus berylioides	墨耳欖	LCSD	7.0	200	4.0	Fair	Fair	Medium	Retain	
T1897	Ficus berylioides	墨耳欖	LCSD	7.0	185	4.0	Fair	Fair	Medium	Retain	
T1898	Ficus berylioides	墨耳欖	LCSD	7.0	195	3.5	Fair	Fair	Medium	Retain	
T1929	Ficus berylioides	墨耳欖	LCSD	7.0	175	3.0	Fair	Fair	Medium	Retain	
T1930	Ficus berylioides	墨耳欖	LCSD	7.0	178	2.0	Fair	Fair	Medium	Retain	
T1931	Ficus berylioides	墨耳欖	LCSD	7.0	175	2.0	Fair	Fair	Medium	Retain	
T1932	Ficus berylioides	墨耳欖	LCSD	7.0	175	2.0	Fair	Fair	Medium	Retain	
T1933	Ficus berylioides	墨耳欖	LCSD	7.0	180	2.0	Fair	Fair	Medium	Retain	
T1934	Ficus berylioides	墨耳欖	LCSD	7.0	180	2.0	Fair	Fair	Medium	Retain	
T1935	Ficus berylioides	墨耳欖	LCSD	8.5	185	2.0	Fair	Fair	Medium	Retain	
T1936	Ficus berylioides	墨耳欖	LCSD	7.5	185	2.0	Fair	Fair	Medium	Retain	
T1937	Ficus berylioides	墨耳欖	LCSD	7.0	180	2.0	Fair	Fair	Medium	Retain	
T1938	Ficus berylioides	墨耳欖	LCSD	7.0	185	2.0	Fair	Fair	Medium	Retain	
T1939	Ficus berylioides	墨耳欖	LCSD	7.0	185	2.0	Fair	Fair	Medium	Retain	
T1940	Ficus berylioides	墨耳欖	MTREGLCSO	8.0	200	3.0	Fair	Fair	Medium	Retain	
T1941	Ficus berylioides	墨耳欖	MTREGLCSO	7.0	200	3.0	Fair	Fair	Medium	Retain	
T1942	Ficus berylioides	墨耳欖	MTREGLCSO	6.0	165	2.5	Fair	Fair	Medium	Retain	
T1943	Ficus berylioides	墨耳欖	MTREGLCSO	6.0	210	2.0	Fair	Fair	Medium	Retain	
T1944	Ficus berylioides	墨耳欖	MTREGLCSO	7.0	160	2.0	Fair	Fair	Medium	Retain	
T1945	Ficus berylioides	墨耳欖	MTREGLCSO	7.0	210	2.5	Fair	Fair	Medium	Retain	
T1946	Ficus berylioides	墨耳欖	MTREGLCSO	7.0	210	2.5	Fair	Fair	Medium	Retain	
T1947	Ficus berylioides	墨耳欖	MTREGLCSO	8.0	200	3.0	Fair	Fair	Medium	Retain	
T1948	Ficus berylioides	墨耳欖	MTREGLCSO	6.0	185	2.5	Fair	Fair	Medium	Retain	
T1949	Ficus berylioides	墨耳欖	MTREGLCSO	6.0	185	2.5	Fair	Fair	Medium	Retain	
T1950	Ficus berylioides	墨耳欖	MTREGLCSO	8.0	260	5.0	Fair	Fair	Medium	Retain	
T1951	Ficus berylioides	墨耳欖	MTREGLCSO	6.0	250	6.0	Fair	Fair	Medium	Retain	
T1952	Ficus berylioides	墨耳欖	MTREGLCSO	8.5	250	6.0	Fair	Fair	Medium	Retain	
T1953	Ficus berylioides	墨耳欖	MTREGLCSO	7.0	190	3.0	Fair	Fair	Medium	Retain	
T1954	Ficus berylioides	墨耳欖	MTREGLCSO	6.0	175	2.0	Fair	Fair	Medium	Retain	
T1955	Ficus berylioides	墨耳欖	MTREGLCSO	7.0	180	2.0	Fair	Fair	Medium	Retain	
T1956	Ficus berylioides	墨耳欖	MTREGLCSO	7.0	225	3.0	Fair	Fair	Medium	Retain	
T1957	Ficus berylioides	墨耳欖	MTREGLCSO	7.0	200	5.0	Fair	Fair	Medium	Retain	
T1958	Ficus berylioides	墨耳欖	MTREGLCSO	7.0	210	4.0	Fair	Fair	Medium	Retain	
T1959	Ficus berylioides	墨耳欖	MTREGLCSO	7.0	215	4.0	Fair	Fair	Medium	Retain	
T1960	Ficus berylioides	墨耳欖	MTREGLCSO	7.0	175	4.0	Fair	Fair	Medium	Retain	
T1961	Ficus berylioides	墨耳欖	MTREGLCSO	8.5	190	4.0	Fair	Fair	Medium	Retain	
T1962	Ficus berylioides	墨耳欖	MTREGLCSO	7.5	190	4.0	Fair	Fair	Medium	Retain	
T1963	Ficus berylioides	墨耳欖	MTREGLCSO	7.0	175	4.0	Fair	Fair	Medium	Retain	
T1964	Ficus berylioides	墨耳欖	MTREGLCSO	7.5	180	4.0	Fair	Fair	Medium	Retain	
T1965	Ficus berylioides	墨耳欖	MTREGLCSO	7.5	175	4.0	Fair	Fair	Medium	Retain	
T1966	Ficus berylioides	墨耳欖	MTREGLCSO	7.5	175	4.0	Fair	Fair	Medium	Retain	
T1967	Ficus berylioides	墨耳欖	MTREGLCSO	8.0	170	5.0	Fair	Fair	Medium	Retain	
T1968	Ficus berylioides	墨耳欖	LCSD	8.0	170	6.0	Fair	Fair	Medium	Retain	
T1969	Ficus berylioides	墨耳欖	LCSD	8.0	180	6.0	Fair	Fair	Medium	Retain	
T1970	Ficus berylioides	墨耳欖	LCSD	8.0	180	6.0	Fair	Fair	Medium	Retain	

Tree Information of Retained Tree

Tree No.	Tree Species	Chinese Name	Maintenance Desc.	Size		Tree Form (Good, Fair, Poor)	Health (Good, Fair, Poor)	Aerily Value (High, Medium, Low)	Survival of Tree (High, Medium, Low)	Recommendation
				Tree Height (m)	Crown Spread (m)					
T1971	Ficus beryliana	野仔树	LCSD	5.5	170	4.5	Fair	Medium	Medium	Retain
T1972	Ficus beryliana	野仔树	LCSD	6.5	250	4.0	Fair	Medium	Medium	Retain
T1973	Ficus beryliana	野仔树	LCSD	7.0	240	7.0	Fair	Medium	Medium	Retain
T1974	Ficus beryliana	野仔树	LCSD	7.0	220	7.0	Fair	Medium	Medium	Retain
T1975	Ficus beryliana	野仔树	LCSD	6.0	170	5.0	Fair	Medium	Medium	Retain
T1976	Ficus beryliana	野仔树	LCSD	4.0	150	3.0	Fair	Poor	Medium	Retain
T1977	Ficus beryliana	野仔树	LCSD	4.5	180	5.0	Fair	Medium	Medium	Retain
T1978	Melaleuca argenteovirens	白千层	LCSD	5.0	140	2.5	Fair	Medium	Medium	Retain
T1979	Melaleuca argenteovirens	白千层	LCSD	5.0	160	2.0	Fair	Medium	Medium	Retain
T1980	Melaleuca argenteovirens	白千层	LCSD	5.0	150	2.5	Fair	Medium	Medium	Retain
T1981	Melaleuca argenteovirens	白千层	LCSD	5.0	170	2.5	Fair	Medium	Medium	Retain
T1982	Melaleuca argenteovirens	白千层	LCSD	5.0	140	2.0	Fair	Medium	Medium	Retain
T2001	Ficus beryliana	野仔树	MTRCAL/CSO	6.5	200	5.0	Fair	Medium	Medium	Retain
T2002	Ficus beryliana	野仔树	MTRCAL/CSO	6.5	190	5.0	Fair	Medium	Medium	Retain
T2003	Ficus beryliana	野仔树	MTRCAL/CSO	6.0	150	4.5	Fair	Medium	Medium	Retain
T2004	Ficus beryliana	野仔树	MTRCAL/CSO	6.0	190	5.0	Fair	Medium	Medium	Retain
T2005	Ficus beryliana	野仔树	MTRCAL/CSO	6.0	200	5.0	Fair	Medium	Medium	Retain
T2006	Ficus beryliana	野仔树	MTRCAL/CSO	6.0	200	5.0	Fair	Medium	Medium	Retain
T2007	Ficus beryliana	野仔树	MTRCAL/CSO	6.0	190	5.0	Fair	Medium	Medium	Retain
T2008	Ficus beryliana	野仔树	MTRCAL/CSO	6.0	190	7.0	Fair	Dead	Medium	Retain
T2009	Ficus beryliana	野仔树	MTRCAL/CSO	6.0	210	5.0	Fair	Dead	Medium	Retain
T2010	Ficus beryliana	野仔树	MTRCAL/CSO	3.0	100	5.0	Fair	Medium	Medium	Retain
T2011	Ficus beryliana	野仔树	MTRCAL/CSO	7.0	290	6.0	Fair	Medium	Medium	Retain
T2012	Ficus beryliana	野仔树	MTRCAL/CSO	6.0	250	5.0	Fair	Medium	Medium	Retain
T2017	Melaleuca argenteovirens	白千层	LCSD	5.0	90	5.0	Fair	Renewed	Medium	Retain
T2015	Melaleuca argenteovirens	白千层	LCSD	2.5	95	4.0	Fair	Renewed	Medium	Retain
AT010	Melaleuca argenteovirens	白千层	LCSD	7.0	330	6.0	Fair	Medium	Medium	Retain
AT011	Melaleuca argenteovirens	白千层	LCSD	7.0	110	5.0	Fair	Medium	Medium	Retain
AT012	Melaleuca argenteovirens	白千层	LCSD	7.0	115	5.0	Fair	Medium	Medium	Retain
AT013	Melaleuca argenteovirens	白千层	LCSD	7.0	110	4.0	Fair	Medium	Medium	Retain
AT014	Melaleuca argenteovirens	白千层	LCSD	6.0	130	6.0	Fair	Medium	Medium	Retain
AT015	Melaleuca argenteovirens	白千层	LCSD	5.0	120	2.0	Fair	Medium	Medium	Retain
AT019	Melaleuca argenteovirens	白千层	LCSD	5.0	140	2.0	Fair	Medium	Medium	Retain
AT020	Melaleuca argenteovirens	白千层	LCSD	6.0	100	6.0	Fair	Medium	Medium	Retain
AT021	Melaleuca argenteovirens	白千层	LCSD	5.0	120	5.0	Fair	Medium	Medium	Retain
AT029	Melaleuca argenteovirens	白千层	LCSD	5.0	95	5.0	Fair	Dead	Medium	Retain
AT031	Melaleuca argenteovirens	白千层	LCSD	7.0	110	4.0	Fair	Low	Medium	Retain
AT032	Melaleuca argenteovirens	白千层	LCSD	7.0	125	5.0	Fair	Low	Medium	Retain
AT033	Melaleuca argenteovirens	白千层	LCSD	6.0	110	5.0	Fair	Low	Medium	Retain
AT041	Melaleuca argenteovirens	白千层	LCSD	8	290	4.0	Fair	Poor	Medium	Retain
AT042	Melaleuca argenteovirens	白千层	LCSD	6	300	3.5	Fair	Medium	Medium	Retain
AT043	Melaleuca argenteovirens	白千层	LCSD	6	270	3.5	Fair	Medium	Medium	Retain
AT044	Melaleuca argenteovirens	白千层	LCSD	6	190	2.0	Fair	Poor	Medium	Retain

Tree Information of Retained Trees

Tree No.	Tree Species	Chinese Name	Maintenance Dept.	Size		Crown Spread (ft)	Tree Form (Good, Fair, Poor)	Health (Good, Fair, Medium, Low)	Arms/Value (High, Medium, Low)	Survival of Tree (High, Medium, Low)	Recommendation
				Tree Height (m)	DBH (mm)						
AT045	<i>Koeleria sonchifolia</i>	野牡丹	LCSD	5	170	3.0	Fair	Fair	Medium	Medium	Retain
AT047	<i>Koeleria sonchifolia</i>	野牡丹	LCSD	10	190	4.0	Fair	Fair	Medium	Medium	Retain
AT054	<i>Acronyctodes</i>	木荷	LCSD	7	180	2.0	poor	Poor	Low	Low	Retain
AT055	<i>Acronyctodes</i>	木荷	LCSD	4.5	110	2.0	Fair	Fair	Low	Low	Retain
AT055	<i>Excoecaria agallocha</i>	木荷	LCSD	5	110	3.0	Fair	Fair	Low	Low	Retain



Tree No.	Tree Species	Chinese Name	Maintenance Dept.	Size			Crown Spread (m)	Tree Form (Good, Fair, Poor)	Health Good (Dead, Minor, Major)	Anomaly Value (High, Medium, Low)	Severity of Damage (High, Medium, Low)	Recommendation	Date of Transplant to Holding Nursery	Temporary Holding Nursery	Final Transplanting Location
				Tree Height (m)	DBH (cm)	Ground Spread (m)									
T1223	<i>Royalsora regia</i>	王竹	LCSD	8.0	28.0	4.5	Fair	Fair	Medium	Medium	Transplant				Central
T1224	<i>Royalsora regia</i>	王竹	LCSD	5.5	17.0	3.0	Fair	Fair	Medium	Medium	Transplant	25-Sep-14	Kan Tin area 3b		Central
T1225	<i>Royalsora regia</i>	王竹	LCSD	8.0	27.0	4.0	Fair	Fair	Medium	Medium	Transplant				Central
T1227	<i>Royalsora regia</i>	王竹	LCSD	5.0	14.0	3.0	Fair	Fair	Medium	Medium	Transplant	23-Sep-14	Kan Tin area 3b		Central
T1228	<i>Royalsora regia</i>	王竹	LCSD	5.5	20.5	3.5	Fair	Fair	Medium	Medium	Transplant	25-Sep-14	Kan Tin area 3b		Central
T1229	<i>Royalsora regia</i>	王竹	LCSD	5.5	15.5	3.5	Fair	Fair	Medium	Medium	Transplant				Central
T1230	<i>Royalsora regia</i>	王竹	LCSD	5.5	20.5	3.0	Fair	Fair	Medium	Medium	Transplant				Central
T1233	<i>Melicope thibetana</i>	王竹	LCSD	7.0	22.0	5.0	Fair	Fair	Medium	Low	Transplant	10-Mar-12	Kan Tin area 2		CPB-Rumsey
T1238	<i>Melicope thibetana</i>	王竹	LCSD	6.0	13.0	4.0	Fair	Fair	Medium	Low	Transplant	10-Mar-12	Kan Tin area 2		CPB-Rumsey
T1239	<i>Royalsora regia</i>	王竹	LCSD	6.0	20.5	4.0	Fair	Fair	Medium	Medium	Transplant	21-Mar-12	Kan Tin area 1		Central
T1242	<i>Royalsora regia</i>	王竹	LCSD	9.5	23.0	4.5	Poor	Poor	Low	Low	Transplant	25-Jun-11	Kan Tin		Central
T1243	<i>Royalsora regia</i>	王竹	LCSD	10.0	27.0	4.5	Poor	Poor	Low	Low	Transplant	25-Jun-11	Kan Tin		Central
T1246	<i>Melicope thibetana</i>	王竹	LCSD	4.5	11.0	3.0	Fair	Fair	Medium	Medium	Transplant	10-Mar-12	Kan Tin area 1		Central
T1273	<i>Royalsora regia</i>	王竹	LCSD	7.0	23.0	4.0	Fair	Fair	Medium	Medium	Transplant	24-Jun-11	Kan Tin		Central
T1274	<i>Royalsora regia</i>	王竹	LCSD	7.0	19.0	4.0	Fair	Fair	Medium	Medium	Transplant	24-Jun-11	Kan Tin		Central
T1277	<i>Royalsora regia</i>	王竹	LCSD	6.0	17.0	4.5	Poor	Poor	Low	Low	Transplant	21-Mar-12	Kan Tin		Central
T1281	<i>Melicope thibetana</i>	王竹	LCSD	6.0	19.0	6.0	Fair	Fair	Medium	Low	Transplant	24-Jun-12	Kan Tin area 2		CPB-Rumsey
T1283	<i>Melicope thibetana</i>	王竹	LCSD	7.0	14.0	5.0	Fair	Fair	Medium	Low	Transplant	26-Apr-12	Kan Tin area 2		CPB-Rumsey
T1284	<i>Melicope thibetana</i>	王竹	LCSD	7.0	18.0	6.0	Fair	Fair	Medium	Low	Transplant	27-Apr-12	Kan Tin area 2		CPB-Rumsey
T1285	<i>Melicope thibetana</i>	王竹	LCSD	6.0	15.0	6.0	Fair	Fair	Medium	Low	Transplant	27-Apr-12	Kan Tin area 2		CPB-Rumsey
T1288	<i>Melicope thibetana</i>	王竹	LCSD	8.0	27.0	6.0	Fair	Fair	Medium	Low	Transplant	27-Apr-12	Kan Tin area 2		CPB-Rumsey
T1293	<i>Royalsora regia</i>	王竹	LCSD	7.0	22.0	4.0	Fair	Fair	Medium	Medium	Transplant	20-Mar-12	Kan Tin area 1		Central
T1294	<i>Royalsora regia</i>	王竹	LCSD	5.5	21.0	4.0	Fair	Fair	Medium	Medium	Transplant	20-Mar-12	Kan Tin area 1		Central
T1295	<i>Royalsora regia</i>	王竹	LCSD	6.0	20.0	4.0	Fair	Fair	Medium	Medium	Transplant	20-Mar-12	Kan Tin area 1		Central
T1296	<i>Royalsora regia</i>	王竹	LCSD	5.5	14.0	3.5	Fair	Fair	Medium	Medium	Transplant	19-Mar-12	Kan Tin area 1		Central
T1298	<i>Royalsora regia</i>	王竹	LCSD	6.0	20.0	3.5	Fair	Fair	Medium	Low	Transplant	19-Mar-12	Kan Tin area 1		Central
T1300	<i>Royalsora regia</i>	王竹	LCSD	7.0	18.0	4.0	Fair	Fair	Medium	Medium	Transplant	17-Mar-12	Kan Tin area 1		Central
T1301	<i>Royalsora regia</i>	王竹	LCSD	6.0	20.0	5.0	Fair	Fair	Medium	Medium	Transplant	17-Mar-12	Kan Tin area 1		Central
T1302	<i>Royalsora regia</i>	王竹	LCSD	5.5	14.0	3.5	Fair	Fair	Medium	Medium	Transplant	17-Mar-12	Kan Tin area 1		Central
T1303	<i>Royalsora regia</i>	王竹	LCSD	6.0	19.0	3.0	Fair	Fair	Medium	Medium	Transplant	16-Mar-12	Kan Tin area 1		Central
T1304	<i>Royalsora regia</i>	王竹	LCSD	6.0	20.0	3.0	Fair	Fair	Medium	Medium	Transplant	16-Mar-12	Kan Tin area 1		Central
T1305	<i>Albizia scholiana</i>	白木	LCSD	3.5	10.0	1.5	Fair	Fair	Medium	Low	Transplant	15-Apr-12	Kan Tin area 2		CPB-Rumsey
T1306	<i>Delonix regia</i>	鳳凰木	LCSD	6.0	17.0	6.0	Fair	Fair	Medium	Medium	Transplant	23-Apr-12	Kan Tin area 2		CPB-Rumsey
T1321	<i>Albizia scholiana</i>	白木	LCSD	4.5	11.0	3.5	Fair	Fair	Medium	Low	Transplant	23-Apr-12	Kan Tin area 2		CPB-Rumsey
T1322	<i>Albizia scholiana</i>	白木	LCSD	4.0	11.0	2.0	Fair	Fair	Medium	Low	Transplant	16-Apr-12	Kan Tin area 2		CPB-Rumsey
T1343	<i>Erythrina variegata</i>	洋紫荊	LCSD	3.0	20.0	6.0	Fair	Fair	Medium	Medium	Transplant	2-Mar-12	Kan Tin area 2		CPB-Rumsey
T1344	<i>Erythrina variegata</i>	洋紫荊	LCSD	7.0	30.0	6.0	Fair	Fair	Medium	Medium	Transplant	3-Mar-12	Kan Tin area 2		CPB-Rumsey
T1346	<i>Ardisia cuneata</i>	山豆蔻	LCSD	6.5	16.0	4.0	Fair	Fair	Medium	Medium	Transplant	15-Mar-12	Kan Tin area 1		Central
T1347	<i>Royalsora regia</i>	王竹	LCSD	7.0	30.0	4.0	Fair	Fair	Medium	Medium	Transplant	15-Mar-12	Kan Tin area 1		Central
T1348	<i>Royalsora regia</i>	王竹	LCSD	6.0	20.0	4.0	Fair	Fair	Medium	Medium	Transplant	15-Mar-12	Kan Tin area 1		Central
T1350	<i>Royalsora regia</i>	王竹	LCSD	7.0	24.0	4.0	Fair	Fair	Medium	Medium	Transplant	14-Mar-12	Kan Tin area 1		Central
T1353	<i>Royalsora regia</i>	王竹	LCSD	7.0	24.0	4.0	Fair	Fair	Medium	Medium	Transplant	13-Mar-12	Kan Tin area 1		Central
T1354	<i>Royalsora regia</i>	王竹	LCSD	7.5	25.0	4.0	Fair	Fair	Medium	Medium	Transplant	13-Mar-12	Kan Tin area 1		Central
T1355	<i>Royalsora regia</i>	王竹	LCSD	6.0	31.0	4.0	Fair	Fair	Medium	Medium	Transplant	7-Mar-12	Kan Tin area 1		Central
T1357	<i>Royalsora regia</i>	王竹	LCSD	6.0	31.0	4.0	Fair	Fair	Medium	Medium	Transplant	7-Mar-12	Kan Tin area 1		Central
T1359	<i>Ardisia cuneata</i>	山豆蔻	LCSD	7.0	27.0	4.0	Fair	Fair	Medium	Medium	Transplant	29-Aug-11	Kan Tin area 1		Central
T1359	<i>Ardisia cuneata</i>	山豆蔻	LCSD	5.0	14.5	3.0	Fair	Fair	Medium	Medium	Transplant	29-Aug-11	Kan Tin area 1		Central
T1359	<i>Royalsora regia</i>	王竹	LCSD	6.0	20.0	4.0	Fair	Fair	Medium	Medium	Transplant	29-Aug-11	Kan Tin area 1		Central
T1362	<i>Royalsora regia</i>	王竹	LCSD	7.5	24.0	4.0	Fair	Fair	Medium	Medium	Transplant	2-Sep-11	Kan Tin area 1		Central



Tree No.	Tree Species	Chinese Name	Matricaria Dept.	Site		Tree Height (m)	Crown Spread (m)	DBH (cm)	Tree Form Cond. (Fair, Poor)	Health Cond. (Dead, Remove)	Away/Value (High, Medium, Low)	Species of Transplantation (High, Medium, Low)	Recommendation	Date of Transplant to holding nursery	Temporary Holding Nursery	Final Transplanting location
				Tree Height (m)	Crown Spread (m)											
T1456	<i>Ficus delavayi</i>	黄毛榕(黄毛)	LCSO	4.0	1.5	3.0	3.0	1.5	Fair	Fair	Medium	Medium	Transplant	31-Jul-12	Kean Th area 2	CIB-Rumney
T1457	<i>Ficus delavayi</i>	黄毛榕(黄毛)	LCSO	4.5	1.4	3.0	3.0	1.4	Fair	Fair	Medium	Medium	Transplant	31-Jul-12	Kean Th area 2	CIB-Rumney
T1459	<i>Ficus delavayi</i>	黄毛榕(黄毛)	LCSO	5.0	2.0	4.0	4.0	2.0	Fair	Fair	Medium	Medium	Transplant	29-Aug-11	Kean Th area 1	CIB-Rumney
T1461	<i>Ficus delavayi</i>	黄毛榕(黄毛)	LCSO	5.0	2.0	5.0	5.0	2.0	Fair	Fair	Medium	Medium	Transplant	4-Aug-11	Kean Th area 1	CIB-Rumney
T1463	<i>Rapanea rugosa</i>	土栲	LCSO	7.0	2.5	4.0	4.0	2.5	Fair	Fair	Medium	Medium	Transplant	13-Aug-11	Kean Th area 1	Central
T1464	<i>Rapanea rugosa</i>	土栲	LCSO	7.0	2.0	4.0	4.0	2.0	Fair	Fair	Medium	Medium	Transplant	13-Aug-11	Kean Th area 1	Central
T1466	<i>Rapanea rugosa</i>	土栲	LCSO	5.0	3.0	4.0	4.0	3.0	Fair	Fair	Medium	Medium	Transplant	14-Aug-11	Kean Th area 1	Central
T1467	<i>Rapanea rugosa</i>	土栲	LCSO	6.5	1.6	4.0	4.0	1.6	Fair	Fair	Medium	Medium	Transplant	13-Aug-11	Kean Th area 1	Central
T1468	<i>Rapanea rugosa</i>	土栲	LCSO	6.0	3.0	4.5	4.5	3.0	Fair	Fair	Medium	Medium	Transplant	15-Aug-11	Kean Th area 1	Central
T1469	<i>Rapanea rugosa</i>	土栲	LCSO	9.5	3.4	4.0	4.0	3.4	Fair	Fair	Medium	Medium	Transplant	15-Aug-11	Kean Th area 1	Central
T1470	<i>Rapanea rugosa</i>	土栲	LCSO	7.0	3.0	4.0	4.0	3.0	Fair	Fair	Medium	Medium	Transplant	14-Aug-11	Kean Th area 1	Central
T1471	<i>Rapanea rugosa</i>	土栲	LCSO	6.5	3.0	4.0	4.0	3.0	Fair	Fair	Medium	Medium	Transplant	15-Aug-11	Kean Th area 1	Central
T1477	<i>Ficus miconiopsis</i>	黄毛榕(黄毛)	LCSO	6.5	2.0	4.0	4.0	2.0	Fair	Fair	Medium	Medium	Transplant	25-Aug-11	Kean Th area 1	Central
T1478	<i>Ficus miconiopsis</i>	黄毛榕(黄毛)	LCSO	6.5	2.0	4.0	4.0	2.0	Fair	Fair	Medium	Medium	Transplant	25-Aug-11	Kean Th area 1	Central
T1479	<i>Ficus miconiopsis</i>	黄毛榕(黄毛)	LCSO	6.0	1.9	4.0	4.0	1.9	Fair	Fair	Medium	Medium	Transplant	26-Aug-11	Kean Th area 1	Central
T1480	<i>Ficus miconiopsis</i>	黄毛榕(黄毛)	LCSO	7.0	2.0	5.0	5.0	2.0	Fair	Fair	Medium	Medium	Transplant	26-Aug-11	Kean Th area 1	Central
T1481	<i>Ficus miconiopsis</i>	黄毛榕(黄毛)	LCSO	7.0	2.0	5.0	5.0	2.0	Fair	Fair	Medium	Medium	Transplant	26-Aug-11	Kean Th area 1	Central
T1482	<i>Ficus miconiopsis</i>	黄毛榕(黄毛)	LCSO	7.0	2.0	4.0	4.0	2.0	Fair	Fair	Medium	Medium	Transplant	26-Aug-11	Kean Th area 1	Central
T1483	<i>Ficus miconiopsis</i>	黄毛榕(黄毛)	LCSO	7.0	1.9	4.0	4.0	1.9	Fair	Fair	Medium	Medium	Transplant	26-Aug-11	Kean Th area 1	Central
T1484	<i>Ficus miconiopsis</i>	黄毛榕(黄毛)	LCSO	7.0	1.9	4.0	4.0	1.9	Fair	Fair	Medium	Medium	Transplant	26-Aug-11	Kean Th area 1	Central
T1485	<i>Ficus miconiopsis</i>	黄毛榕(黄毛)	LCSO	6.5	2.0	5.0	5.0	2.0	Fair	Fair	Medium	Medium	Transplant	26-Aug-11	Kean Th area 1	Central
T1486	<i>Ficus miconiopsis</i>	黄毛榕(黄毛)	LCSO	7.0	1.9	4.0	4.0	1.9	Fair	Fair	Medium	Medium	Transplant	26-Aug-11	Kean Th area 1	Central
T1487	<i>Ficus miconiopsis</i>	黄毛榕(黄毛)	LCSO	7.0	1.9	4.5	4.5	1.9	Fair	Fair	Medium	Medium	Transplant	26-Aug-11	Kean Th area 1	Central
T1488	<i>Ficus miconiopsis</i>	黄毛榕(黄毛)	LCSO	7.0	2.0	4.0	4.0	2.0	Fair	Fair	Medium	Medium	Transplant	13-Sep-11	Kean Th area 1	Central
T1490	<i>Ficus miconiopsis</i>	黄毛榕(黄毛)	LCSO	7.0	1.8	5.0	5.0	1.8	Fair	Fair	Medium	Medium	Transplant	31-Aug-11	Kean Th area 1	Central
T1491	<i>Ficus miconiopsis</i>	黄毛榕(黄毛)	LCSO	7.0	2.0	5.0	5.0	2.0	Fair	Fair	Medium	Medium	Transplant	31-Aug-11	Kean Th area 1	Central
T1493	<i>Ficus miconiopsis</i>	黄毛榕(黄毛)	LCSO	6.5	2.0	5.0	5.0	2.0	Fair	Fair	Medium	Medium	Transplant	5-Jul-11	Kean Th area 1	CIB-Rumney
T1494	<i>Ficus miconiopsis</i>	黄毛榕(黄毛)	LCSO	7.0	2.6	3.0	3.0	2.6	Fair	Fair	Medium	Medium	Transplant	24-Jun-11	Kean Th area 1	CIB-Rumney
T1496	<i>Ficus miconiopsis</i>	黄毛榕(黄毛)	LCSO	7.0	2.0	3.0	3.0	2.0	Fair	Fair	Medium	Medium	Transplant	24-Jun-11	Kean Th area 1	CIB-Rumney
T1498	<i>Ficus miconiopsis</i>	黄毛榕(黄毛)	LCSO	7.0	2.0	5.0	5.0	2.0	Fair	Fair	Medium	Medium	Transplant	24-Jun-11	Kean Th area 1	CIB-Rumney
T1499	<i>Ficus miconiopsis</i>	黄毛榕(黄毛)	LCSO	6.0	2.0	5.0	5.0	2.0	Fair	Fair	Medium	Medium	Transplant	24-Jun-11	Kean Th area 1	CIB-Rumney
T1499	<i>Ficus miconiopsis</i>	黄毛榕(黄毛)	LCSO	6.0	2.0	5.0	5.0	2.0	Fair	Fair	Medium	Medium	Transplant	24-Jun-11	Kean Th area 1	CIB-Rumney
T1500	<i>Ficus miconiopsis</i>	黄毛榕(黄毛)	LCSO	5.5	2.0	4.0	4.0	2.0	Fair	Fair	Medium	Medium	Transplant	20-Jun-11	Kean Th area 1	CIB-Rumney
T1500	<i>Ficus miconiopsis</i>	黄毛榕(黄毛)	LCSO	5.5	2.0	4.0	4.0	2.0	Fair	Fair	Medium	Medium	Transplant	20-Jun-11	Kean Th area 1	CIB-Rumney
T1509	<i>Rapanea rugosa</i>	土栲	LCSO	7.0	2.0	4.0	4.0	2.0	Fair	Fair	Medium	Medium	Transplant			Central
T1590	<i>Rapanea rugosa</i>	土栲	LCSO	8.0	3.2	4.0	4.0	3.2	Fair	Fair	Medium	Medium	Transplant			Central
T1710	<i>Rapanea rugosa</i>	土栲	LCSO	8.0	2.0	6.0	6.0	2.0	Fair	Fair	Medium	Medium	Transplant			Central
T1712	<i>Rapanea rugosa</i>	土栲	LCSO	8.0	2.0	6.0	6.0	2.0	Fair	Fair	Medium	Medium	Transplant			Central
T1721	<i>Rapanea rugosa</i>	土栲	LCSO	11.0	3.5	4.5	4.5	3.5	Fair	Fair	Medium	Medium	Transplant			Central
T1726	<i>Rapanea rugosa</i>	土栲	LCSO	10.0	3.5	4.5	4.5	3.5	Fair	Fair	Medium	Medium	Transplant			Central
T1762	<i>Barringtonia bakerae</i>	土栲	LCSO	5.0	1.0	6.0	6.0	1.0	Fair	Fair	Medium	Medium	Transplant	16-Nov-15		Central
T1776	<i>Lagerflora speciosa</i>	大花刺楸	LCSO	8.0	1.6	7.0	7.0	1.6	Fair	Fair	Medium	Medium	Transplant	27-Feb-13	Kean Th area 2a	CIB-Rumney
T1777	<i>Lagerflora speciosa</i>	大花刺楸	LCSO	6.5	1.6	7.0	7.0	1.6	Fair	Fair	Medium	Medium	Transplant	14-Mar-13	Kean Th area 2a	CIB-Rumney
T1778	<i>Lagerflora speciosa</i>	大花刺楸	LCSO	6.0	1.4	6.0	6.0	1.4	Poor	Poor	Medium	Medium	Transplant	14-Mar-13	Kean Th area 2a	CIB-Rumney
T1810	<i>Lagerflora speciosa</i>	土栲	LCSO	9.0	3.0	4.5	4.5	3.0	Poor	Poor	Medium	Medium	Transplant		Direct Longtail	Central
T1811	<i>Rapanea rugosa</i>	土栲	LCSO	11.0	3.0	4.5	4.5	3.0	Fair	Fair	Medium	Medium	Transplant		Direct Longtail	Central
T1814	<i>Livistona chinensis</i>	椰子	LCSO	1.5	2.1	3.0	3.0	2.1	Fair	Fair	Medium	Medium	Transplant	19-Dec-12	Kean Th area 2	Central
T1815	<i>Lagotis albertensis</i>	草甘	LCSO	1.5	1.6	2.0	2.0	1.6	Fair	Fair	Medium	Medium	Transplant	19-Dec-12	Kean Th area 2	Central

Tree No.	Tree Species	Chinese Name	Maintenance Dept.	Size			Crown Spread (%)	Time Zone (Good, Fair, Poor)	Health (Good, Fair, Poor, Dead/Remove)	Artery Value (High, Medium, Low)	Sensitivity to Transplantation (High, Medium, Low)	Recommendation	Date of Transplant or Holding Nursery	Temporary Holding Nursery	Final Transplanting Location
				Tree Height (m)	DBH (cm)	Spread (m)									
T1817	Acacia dealbata	白千层(白千层)	LCSD	3.0	108	2.0	Fair	Fair	Medium	Low	Transplant	27-Feb-13	Kam Tin area 3b	C1B-Rumey	
T1823	Royalsia regia	王桂	LCSD	12.0	340	4.5	Fair	Poor	Medium	Medium	Transplant		Direct landscape	Central	
T1833	Royalsia regia	王桂	LCSD	9.0	347	4.5	Fair	Fair	Medium	Medium	Transplant	20-Nov-12	Kam Tin area 3	Central	
T1834	Acacia longiana	王桂	LCSD	14.0	500	10.0	Poor	Fair	Low	Medium	Transplant		Direct landscape	Central	
T1835	Royalsia regia	王桂	LCSD	9.0	270	4.5	Fair	Fair	Medium	Medium	Transplant	18-Dec-12	Kam Tin area 3	Central	
T1836	Royalsia regia	王桂	LCSD	10.0	310	4.5	Fair	Poor	Medium	Medium	Transplant		Direct landscape	Central	
T1837	Myrica aspericarpa	骨仔樹	LCSD	12.0	315	7.0	Fair	Fair	Medium	Low	Transplant	6-Jun-16		C1B-Rumey	
T1840	Myrica aspericarpa	骨仔樹	LCSD	12.0	260	7.0	Fair	Poor	Medium	Low	Transplant	7-Jun-16		C1B-Rumey	
T1858	Acacia saligna	黑刺楸(黑刺楸)	LCSD	5.0	820	7.0	Fair	Fair	Medium	Medium	Transplant	28-Sep-12	Kam Tin area 3	C1B-Rumey	
T1869	Acacia saligna	黑刺楸(黑刺楸)	LCSD	4.0	315	3.0	Poor	Fair	Low	Medium	Transplant	28-Sep-12	Kam Tin area 3	C1B-Rumey	
T1870	Acacia saligna	黑刺楸(黑刺楸)	LCSD	7.0	230	3.0	Poor	Fair	Medium	Low	Transplant	16-May-15		C1B-Rumey	
T1871	Acacia saligna	黑刺楸(黑刺楸)	LCSD	10.0	307	6.0	Fair	Fair	Medium	Low	Transplant	17-Jun-15		C1B-Rumey	
T1872	Gynerium songhaii	刺楸	LCSD	7.0	230	7.0	Fair	Fair	Medium	Medium	Transplant	16-May-15		Central	
T1933	Heliconia maculata	白洋菜	LCSD	5.0	170	3.5	Fair	Fair	Medium	Medium	Transplant	16-Aug-11	Kam Tin area 1	Central	
T2006	Heliconia maculata	白洋菜	LCSD	8.0	165	3.0	Fair	Fair	Medium	Medium	Transplant	16-Aug-11	Kam Tin area 1	Central	
T2010	Heliconia maculata	白洋菜	LCSD	5.0	125	3.0	Fair	Fair	Medium	Medium	Transplant	17-Aug-11	Kam Tin area 3	Central	
T2015	Heliconia maculata	白洋菜	LCSD	7.0	120	3.0	Fair	Fair	Medium	Medium	Transplant	17-Aug-11	Kam Tin area 1	Central	
T2016	Heliconia maculata	白洋菜	LCSD	5.0	125	3.0	Fair	Fair	Medium	Medium	Transplant	16-Aug-11	Kam Tin area 1	Central	
A1001	Dioscorea	薯蓣	LCSD	8.0	130	4.0	Poor	Fair	Medium	Medium	Transplant	21-Aug-12	Kam Tin area 1	CC - Nursery site	
A1004	Dioscorea	薯蓣	LCSD	8.0	115	5.0	Poor	Fair	Medium	Medium	Transplant	31-Aug-12	Kam Tin area 2	CC - Nursery site	
A1006	Dioscorea	薯蓣	LCSD	5.0	95	2.5	Fair	Fair	Medium	Medium	Transplant	15-Aug-12	Kam Tin area 3	CC - Nursery site	
A1008	Dioscorea	薯蓣	LCSD	6.0	100	4.5	Fair	Fair	Medium	Medium	Transplant	25-Aug-12	Kam Tin area 2	CC - Nursery site	
A1009	Dioscorea	薯蓣	LCSD	5.5	110	6.0	Fair	Fair	Medium	Medium	Transplant	25-Aug-12	Kam Tin area 2	CC - Nursery site	
A1016	Acacia saligna	黑刺楸	LCSD	4.0	95	2.0	Fair	Fair	Medium	Medium	Transplant	20-Aug-12	Kam Tin area 3	CC - Nursery site	
A1017	Acacia saligna	黑刺楸	LCSD	3.0	100	2.0	Fair	Fair	Medium	Medium	Transplant	20-Aug-12	Kam Tin area 3	CC - Nursery site	
A1058	Agave attenuata	大花龙舌兰	LCSD	5	110	3.0	Fair	Fair	Low	Low	Transplant	17-Aug-13	Kam Tin area 3b	Bridge 8 (original location)	
A1060	Acacia saligna	黑刺楸	LCSD	1.5	160	2.0	Fair	Fair	Medium	Medium	Transplant	16-Aug-13	Kam Tin area 3b	C1B-Rumey	

# Appendix D

## Summary of compensatory for damaged tree and fell tree

Bank Tree Record

Tree No.	Tree Species	Chinese Name	Mulch/soil Depth	Size		Tree Form (Good, Fair, Poor)	Health (Good, Damaged, Removed)	Amenity Value (High, Medium, Low)	Survival of Root System (High, Medium, Low)	Recommendation	Replacement	History
				Tree Height (m)	Crown Spread (m)							
T1251	<i>Royalsora rufa</i>	紅桂	LCSD	4.5	155	Poor	Poor	Low	Low	Retain	27-Sep-17	The tree was blown/ imminent dangerous tree by 2017 TRA Form 2 and removed on 2 June 2016 and replaced by DLO. Replacement on 27 Sep 17
T1255	<i>Royalsora rufa</i>	紅桂	LCSD	5.5	160	+	Removed	Medium	Medium	Retain	9-Jul-16	Replacement on 03 Jul 2016 removed on 15/09/2016. Variation, serious trunk damage, recommended removal ADGP. Replacement on 27 Sep 17
T1257	<i>Royalsora rufa</i>	紅桂	LCSD	7.0	310	Poor	Removed	Medium	Low	Retain	9-Jul-16	Tree was severely damaged on fire on 5 June 2015 and removed on 7 June 2015. Replacement on 03 Jul 2016. Letter Ref: 18508926
T1236	<i>Royalsora rufa</i>	紅桂	LCSD	6.0	200	Fair	Poor	Medium	Low	Retain	24-Nov-17	Hopped in 14.0 by wind on 23/06/2016 as improved drop. Reported to DLO for tree falling on 05 May 2015 under Letter Ref: 18508926. Replaced on 22 Dec 2015 by 15 Nov 2017. Replacement on 24 Nov 2017
T1237	<i>Royalsora rufa</i>	紅桂	LCSD	7.0	270	Fair	Poor	Medium	Medium	Retain	24-Dec-16	Reported in 14.0 by wind on 23/06/2016 as improved drop. Reported to DLO for tree falling on 05 May 2015 under Letter Ref: 18508926. Replaced on 24 Dec 2015
T1210	<i>Royalsora rufa</i>	紅桂	LCSD	7.0	230	Fair	Removed	Medium	Medium	Retain	23-Oct-16	Tree was severely damaged on fire on 5 June 2015 and removed on 23 Dec 2015. Replacement on 23 Dec 2015
T1212	<i>Royalsora rufa</i>	紅桂	LCSD	5.0	210	Fair	Removed	Medium	Medium	Retain	23-Nov-17	removed on 07/09/12 due to traffic accident on 4 July 2012. Replacement on 23 Dec 2015. Replaced on 15 Nov 2017 as poor health. Replacement on 23 Nov 2017
T1288	<i>Royalsora rufa</i>	紅桂	LCSD	6.0	275	Fair	Fair	Medium	Medium	Retain	21-Jun-16	Removed on site on 27-6-2016. removed on 22/07/13 due to traffic accident on April 2013
T1269	<i>Erythra variegata</i>	紅桂	LCSD	7.5	290	Fair	Damaged	Medium	Medium	Retain	27-Oct-15	removed on 18/07/12 due to traffic accident on 23 July 2012. Replaced and replaced on site on 27 Oct 15
T1230	<i>Royalsora rufa</i>	紅桂	LCSD	8.0	300	Fair	Removed	Medium	Medium	Retain	7-Oct-16	removed on 22/07/13 due to traffic accident on April 2013. Replaced and replaced on site on 7 Oct 16
T1406	<i>Halesia stenos</i>	紅桂	LCSD	6.0	190	Fair	Damaged	Medium	Low	Retain	7-Oct-16	removed on 18/07/12 due to traffic accident on 23 July 2012. Replaced and replaced on site on 7 Oct 16
T1409	<i>Halesia stenos</i>	紅桂	LCSD	6.0	140	Fair	Damaged	Medium	Low	Retain	7-Oct-16	removed on 18/07/12 due to traffic accident on 23 July 2012. Replaced and replaced on site on 7 Oct 16
T1410	<i>Royalsora rufa</i>	紅桂	LCSD	5.0	190	Fair	Fair	Medium	Medium	Retain	2-Jul-16	removed on 18/07/12 due to traffic accident on 23 July 2012. Replaced and replaced on site on 7 Oct 16
T1411	<i>Halesia stenos</i>	紅桂	LCSD	8.0	140	Fair	Damaged	Medium	Low	Retain	7-Oct-16	removed on 18/07/12 due to traffic accident on 23 July 2012. Replaced and replaced on site on 7 Oct 16
T1412	<i>Halesia stenos</i>	紅桂	LCSD	8.0	335	Fair	Damaged	Medium	Low	Retain	7-Oct-16	removed on 18/07/12 due to traffic accident on 23 July 2012. Replaced and replaced on site on 7 Oct 16
T1502	<i>Erythra variegata</i>	紅桂	LCSD	7.0	205	Fair	Damaged	Medium	Medium	Retain	25-Apr-17	Replacement by Ilacuba coparata. Replacement on 23 July 2012. Replaced on 10 Nov 2016 and reported to DLO
T1503	<i>Erythra variegata</i>	紅桂	LCSD	8.0	150	Poor	Removed	Medium	Medium	Retain	25-Apr-17	Affected by typhoon signal no. 8 on 15 September 2014. The tree after Amber Rainstorm on 23 July 2012. Replacement on 10 Nov 2016 and reported to DLO
T1504	<i>Erythra variegata</i>	紅桂	LCSD	7.0	250	Fair	Removed	Medium	Medium	Retain	25-Apr-17	Affected by typhoon signal no. 8 on 15 September 2014. removed on 4/20/15 due to imminent danger under Replacement by Ilacuba coparata. Replacement on 23 July 2012. Replaced on 10 Nov 2016 and reported to DLO



Box Trees Record

Tree No.	Tree Species	Chinese Name	Maintenance Dept.	Site		Tree Form (Good, Fair, Poor)	Health (Good, Fair, Damaged, Dead)	Amenity Value (High, Medium, Low)	Survival of Transplant (High, Medium, Low)	Recommendation	Replacement	History
				Tree Height (m)	Crown Spread (m)							
T1507	<i>Erythrina variegata</i>	豇豆树	LCSD	4.0	4.0	Fair	Damaged	Medium	Medium	25-Sep-17	removed on 18/07/2017 due to Typoon Signal No. 10 attached on 22 July 2017. Replaced by 2 trees on 25 Sep 2017 as agreed with LCSD on 18 Nov 2016 and reported to DLO	
T1508	<i>Erythrina variegata</i>	豇豆树	LCSD	5.0	5.0	Poor	Fair	Medium	Medium	24-Nov-17	Terminal damage tree removed on 4 Aug 17, reported to DLO on 18 Aug 2017. Replacement on 26 Sep 17 with same tree. Rejected as large wound at main trunk. Replacement on 24 Nov 2017	
T1509	<i>Casuarina equisetifolia</i>	非洲相思树	LCSD	12.0	7.0	Poor	Fair	Medium	Low	24-Nov-17	removed on 29/07/2017 due to Typoon Signal No. 10 attached on 23 Aug 2017. Replacement on 27 Sep 17 with species <i>Xanthoxylum chinensis</i> 2.5% as agreed with LCSD on site on 13 Sep. Replacement on 24 Nov 2017	
T1510	<i>Casuarina equisetifolia</i>	非洲相思树	LCSD	10.0	6.0	Fair	Damaged	Medium	Low	25-Apr-17	removed on 18/07/2017 due to Typoon Signal No. 10 attached on 22 July 2017. Replacement by <i>Turbinaria chinensis</i> 10% on 25 Apr 2017 as agreed with LCSD on 10 Nov 2016 and reported to DLO	
T1512	<i>Rapanea rufa</i>	菜豆树	LCSD	6.5	4.0	Poor	Dead	Low	Medium	24-Nov-17	removed on 28/07/2014 due to verified dead tree on 05 Dec 2013. Replacement on 24 Nov 2017	
T1513	<i>Casuarina equisetifolia</i>	非洲相思树	LCSD	12.0	8.0	Poor	Poor	Medium	Low	26-Sep-17	Affected by typhoon signal no. 10 on 15 September 2014. Replacement on 23 Aug 2017. Replacement on 26 Sep 17 with same tree. Reported to DLO on 13 Sep	
T1527	<i>Cassia arabiana</i>	芙蓉木	LCSD	7.0	2.0	Poor	Fair	Medium	Low	26-Sep-17	removed on 29/07/2017 due to Typoon Signal No. 10 attached on 23 Aug 2017. Replacement on 26 Sep 17	
T1529	<i>Cassia arabiana</i>	芙蓉木	LCSD	7.0	3.0	Poor	Damaged	Medium	Low	24-Dec-16	removed on 18/07/2016 due to Typoon Signal No. 10 attached on 23 July 2016. Replacement on 24 Dec 2016	
T1532	<i>Cassia arabiana</i>	芙蓉木	LCSD	6.0	3.0	Poor	Damaged	Medium	Low	24-Dec-16	removed on 18/07/2016 due to Typoon Signal No. 10 attached on 23 July 2016. Replacement on 24 Dec 2016	
T1538	<i>Bauhinia blattaris</i>	洋紫荆	LCSD	6.0	6.0	Fair	Fair	Medium	Medium	26-Sep-17	removed on 29/07/2017 due to Typoon Signal No. 10 attached on 23 Aug 2017. Replacement on 26 Sep 17	
T1541	<i>Bauhinia blattaris</i>	洋紫荆	LCSD	7.0	3.0	Poor	Fair	Medium	Medium	24-Dec-16	Tree failure on 02 Aug 2016 as affected by typhoon signal no. 8. Replacement on 23 Dec 2016	
T1542	<i>Bauhinia blattaris</i>	洋紫荆	LCSD	7.0	2.5	Fair	Poor	Medium	Medium	24-Dec-16	Tree failure on 02 Aug 2016 as affected by typhoon signal no. 8. Replacement on 23 Dec 2016	
T1543	<i>Bauhinia blattaris</i>	洋紫荆	LCSD	7.0	3.0	Fair	Fair	Medium	Medium	24-Dec-16	Tree failure on 02 Aug 2016 as affected by typhoon signal no. 8. Replacement on 23 Dec 2016	
T1544	<i>Bauhinia blattaris</i>	洋紫荆	LCSD	8.0	3.0	Poor	Poor	Medium	Medium	25-Dec-16	Affected by typhoon signal no. 10 on 15 September 2014. Replacement on 23 Dec 2016	
T1545	<i>Bauhinia blattaris</i>	洋紫荆	LCSD	9.0	1.8	Poor	Dead	Medium	Medium	24-Dec-16	Affected by typhoon signal no. 8 on 15 September 2014. Failed as terminal branch under letter ref: 18/000801. Replacement on 23 Dec 2016	
T1547	<i>Casuarina equisetifolia</i>	非洲相思树	LCSD	8.0	4.0	Poor	Retained	Low	Low	24-Dec-16	Verified dead tree on 10 Nov 2013. Replacement on 24 Dec 2016 as per LCSD request on site on 10 NOV 2016	
T1548	<i>Casuarina equisetifolia</i>	非洲相思树	LCSD	9.0	6.0	Poor	Retained	Medium	Low	24-Dec-16	Verified dead tree on 10 Nov 2013. Replacement on 24 Dec 2016 as per LCSD request on site on 10 NOV 2016	
T1554	<i>Bauhinia variegata</i>	洋紫荆	LCSD	9.0	7.0	Fair	Fair	Medium	Medium	24-Dec-16	Tree failure on 02 Aug 2016 as affected by typhoon signal no. 8. Replacement on 24 Dec 2016	
T1558	<i>Bauhinia variegata</i>	洋紫荆	LCSD	8.0	1.8	Poor	Fair	Low	Medium	24-Dec-16	Typoon damaged on 17 July 2014. Replacement on 24 Dec 2016	

B&L Tree Record

Tree No.	Tree Species	Chinese Name	Maturity/Diag.	Site		Tree Form (Good, Fair, Poor)	Health (Good, Satisfactory, Poor)	Anxiety Value (High, Medium, Low)	Survival of Root System (High, Medium, Low)	Recommendation	Replacement	History
				Tree Height (m)	Crown Spread (m)							
11574	<i>Royceana naga</i>	十仔	LCSD	6.0	4.0	Poor	Poor	Medium	Medium	Retain	27-Dec-16	Reported to DLO on 18 Aug 2016 by email for tree removal. Replacement on 27 Dec 2016.
11627	<i>Chemsawa squariloba</i>	牛車水(仔)荔枝	LCSD	17.0	16.5	Poor	Fair	Medium	Low	Retain	77-Dec-16	Strong tree damage reported to DLO on 18 Aug 2016 by email for tree removal. Replacement on 27 Dec 2016. For LCSD reported on also on 10 NOV 2014.
11664	<i>Burkholderia blattaria</i>	土荔枝	LCSD	11.0	1.0	Priv	Dead	Medium	Medium	Retain	24-Jun-16	Reported to DLO on 17 Oct 2014. Replaced by tree under the same RFL. 18/05/2013. Replaced by tree under the same RFL. 18/05/2013. Replaced by tree under the same RFL. 18/05/2013. Felled as collapsed under. Replaced by tree under the same RFL. 18/05/2013. Replacement on 27 Dec 2016.
11695	<i>Sarcocaulis unguis</i>	野合土樹	LCSD	6.0	1.0	Poor	Dead	Medium	Medium	Retain	27-Dec-16	Reported to DLO on 18 May 2016 by email for tree removal. Replacement on 25 Dec 2016.
11696	<i>Burkholderia blattaria</i>	土荔枝	LCSD	11.0	1.0	Fair	Dead	Medium	Medium	Retain	25-Dec-16	Reported to DLO on 18 May 2016 by email for tree removal. Replacement on 25 Dec 2016.
11697	<i>Burkholderia blattaria</i>	土荔枝	LCSD	6.0	1.0	Poor	Dead	Medium	Medium	Retain	25-Dec-16	Reported to DLO on 18 May 2016 by email for tree removal. Replacement on 25 Dec 2016.
11698	<i>Burkholderia blattaria</i>	土荔枝	LCSD	9.0	1.0	Poor	Poor	Low	Medium	Retain	26-Sep-17	The tree was severely damaged by typhoon on 18 Nov 2017. Reported to DLO on 18 Nov 2017 by email for tree removal. Replacement on 26 Sep 17.
11699	<i>Burkholderia blattaria</i>	土荔枝	LCSD	8.0	1.0	Poor	Fair	Low	Medium	Retain	26-Sep-17	Immediate danger tree removed on 18 Aug 2017. Reported to DLO on 18 Aug 2017 by email for tree removal. Replacement on 26 Sep 17.
11698	<i>Royceana naga</i>	十仔	LCSD	9.0	4.5	Fair	Fair	Medium	Medium	Retain	23-Nov-17	damaged leading to poor for 11/2017. Reported to DLO on 14-Sep-16. Replacement on 25 Dec 2016.
11698	<i>Royceana naga</i>	十仔	LCSD	8.0	2.0	Fair	Fair	Medium	Medium	Retain	23-Nov-17	damaged leading to poor for 11/2017. Reported to DLO on 14-Sep-16. Replacement on 25 Dec 2016.
11649	<i>Royceana naga</i>	十仔	LCSD	7.0	2.0	Poor	Poor	Low	Low	Retain	27-Sep-17	Large trunk cavity. Reported to DLO for tree falling under later RFL. 18/05/2016 removed on 25/07/17 due to typhoon. Spinal No. 19 attached on 18 Nov 2017 as poor health. Replacement on 27 Sep 17.
11650	<i>Burkholderia blattaria</i>	土荔枝	LCSD	10.5	2.0	Fair	Fair	Medium	Medium	Retain	26-Sep-17	Immediate danger tree removed on 4 Aug 17, replaced to DLO on 18 Aug 2017 by email for tree removal. Replacement on 26 Sep 17.
11654	<i>Royceana naga</i>	十仔	LCSD	7.5	2.0	Poor	Poor	Medium	Low	Retain	23-Nov-17	Reported to DLO for tree falling under later RFL. 18/05/2016. Replacement on 23 Nov 2017.
11655	<i>Burkholderia blattaria</i>	土荔枝	LCSD	12.0	2.0	Fair	Dead	Medium	Medium	Retain	27-Dec-16	Dead Tree. Reported to DLO on 27 Dec 2016.
11660	<i>Royceana naga</i>	十仔	LCSD	9.0	4.5	Fair	Retained	Medium	Medium	Retain	27-Sep-17	Reported to DLO on 23 Aug 2017. Replacement on 27 Sep 17.
11672	<i>Royceana naga</i>	十仔	LCSD	9.5	2.0	Poor	Retained	Medium	Low	Retain	30-Mar-17	The tree was severely damaged by typhoon on 5 June 2015. Reported to DLO for tree falling under later RFL. 18/05/2016. Replacement on 30 Mar 2017.
11675	<i>Royceana naga</i>	十仔	LCSD	6.0	1.0	Fair	Fair	Medium	Medium	Retain	27-Sep-17	Reported to DLO on 27 Sep 17.
11681	<i>Burkholderia blattaria</i>	土荔枝	LCSD	12.0	2.0	Poor	Poor	Medium	Medium	Retain	26-Sep-17	The tree was severely damaged by typhoon on 5 June 2015. Reported to DLO for tree falling under later RFL. 18/05/2016. Replacement on 26 Sep 17.
11695	<i>Burkholderia blattaria</i>	土荔枝	LCSD	9.0	2.0	Dead	Dead	Medium	Medium	Retain	25-Dec-16	Reported to DLO on 17 Oct 2014. Replaced by tree under the same RFL. 18/05/2013. Replaced by tree under the same RFL. 18/05/2013. Felled as collapsed under. Replaced by tree under the same RFL. 18/05/2013. Replacement on 25 Dec 2016.

Box Trees Excel

Tree No.	Tree Species	Chinese Name	Maintenance Dept.	Site			Tree Form (Good, Fair, Poor)	Health (Good, Fair, Poor, Dead/Remove)	Assess by Value (High, Medium, Low)	Severity of Transpiration (High, Medium, Low)	Recommendation	Replacement	History
				Tree Height (m)	Crown Spread (m)	DBH (mm)							
T1102	Bauhinia variegata	紫花洋紫荊	LCSD	11.0	17.0	170	Fair	Removed	Medium	Medium	27-Dec-16	Tree was identified as a dangerous tree on 5 June 2015 and removed on 7 June 2015. Refer to file: 180009001 & Replacement on 27 Dec 2016	
T1105	Bauhinia variegata	紫花洋紫荊	LCSD	11.0	12.0	120	Poor	Poor	Low	Medium	27-Sep-17	Tree was identified as a dangerous tree on 2 June 2017 and removed on 27 Sep 17	
T1106	Bauhinia variegata	紫花洋紫荊	LCSD	11.0	15.0	150	Poor	Poor	Low	Medium	27-Sep-17	Tree was identified as a dangerous tree on 2 June 2017 and removed on 27 Sep 17	
T1109	Bauhinia variegata	紫花洋紫荊	LCSD	12.0	10.0	100	Poor	Fair	Low	Medium	26-Sep-17	Tree was identified as a dangerous tree on 2 June 2017 and removed on 26 Sep 17	
T1121	Fraxinus argentea	白栎	LCSD	12.0	4.0	400	Fair	Fair	Medium	Low	30-Feb-17	Tree was identified as a dangerous tree on 15 Aug 2016 and removed on 27 Aug 2017	
T1140	Bauhinia variegata	紫花洋紫荊	LCSD	7.0	19.0	190	Fair	Removed	Medium	Medium	26-Sep-17	Tree was identified as a dangerous tree on 11 June 2017 and removed on 26 Sep 17. Refer to file: 180009001 & Replacement on 26 Sep 17	
T1144	Bauhinia variegata	紫花洋紫荊	LCSD	8.0	18.0	180	Fair	Dead	Medium	Medium	7-Oct-18	Tree was identified as a dangerous tree on 29 Oct 2013 and removed on 7 Oct 18	
T1152	Bauhinia variegata	紫花洋紫荊	LCSD	7.0	11.0	110	Dead	Dead	Low	Low	7-Oct-18	Affected by typhoon Haiyan on 15 September 2014. Reported to DLO on 15 Apr 2015. Reported to DLO on 15 Apr 2015. Dead tree under later file: 180009002. Reported to DLO on 18 May 2016 by email for tree removal. Replaced and replant on site on 7 Oct 18	
T1152	Bauhinia variegata	紫花洋紫荊	LCSD	7.0	19.0	190	Poor	Dead	Low	Medium	6-Oct-18	Reported to DLO on 15 Apr 2015. Based on tree condition. Replaced and replant on site on 6 Oct 18	
T1154	Bauhinia variegata	紫花洋紫荊	LCSD	7.0	12.0	120	Dead	Dead	Medium	Medium	6-Oct-18	Reported to DLO on 18 May 2016 by email for tree removal. Replaced and replant on site on 6 Oct 18	
T1155	Bauhinia variegata	紫花洋紫荊	LCSD	7.0	14.0	140	Poor	Poor	Low	Medium	26-Sep-17	Tree was identified as a dangerous tree on 2 June 2017 and removed on 26 Sep 17	
T1156	Bauhinia variegata	紫花洋紫荊	LCSD	8.0	16.0	160	Poor	Damaged	Low	Medium	6-Oct-18	Tree was identified as a dangerous tree on 2 June 2017 and removed on 6 Oct 18	
T1157	Bauhinia variegata	紫花洋紫荊	LCSD	5.0	16.0	160	Poor	Removed	Low	Low	7-Oct-18	Tree was identified as a dangerous tree on 5 June 2015 and removed on 7 June 2015. Refer to file: 180009004. Reported to DLO on 18 May 2016 by email for tree removal. Replaced and replant on site on 7 Oct 18	
T1159	Bauhinia variegata	紫花洋紫荊	LCSD	6.0	20.0	200	Fair	Damaged	Medium	Medium	24-Dec-16	Tree was identified as a dangerous tree on 24 Dec 16	
T1161	Bauhinia variegata	紫花洋紫荊	LCSD	8.0	20.0	200	Fair	Damaged	Medium	Medium	15-Oct-16	Tree was identified as a dangerous tree on 15 Oct 16	
T1182	Khaya senegalensis	非洲楸	LCSD	12.0	24.0	240	Fair	Dead	Medium	Low	24-Dec-16	Tree was identified as a dangerous tree on 24 Dec 2016. Refer to file: 180009004. Reported to DLO on 24 Dec 2016. Replaced and replant on site on 18 Dec 2016	
T1187	Fraxinus argentea	白栎	LCSD	11.0	32.0	320	Fair	Fair	Medium	Medium	18-Sep-17	Tree was identified as a dangerous tree on 18 Sep 2017 and removed on 18 Sep 2017	
T1188	Khaya senegalensis	非洲楸	LCSD	7.0	22.0	220	Dead	Dead	Medium	Low	25-Apr-17	Tree was identified as a dangerous tree on 25 Apr 2017 and removed on 25 Apr 2017	

Risk Trees Record

Tree No.	Tree Species	Chinese Name	Maintenance Dept.	Site			Tree Form (Good, Fair, Poor)	Health (Good, Fair, Poor)	Anxiety Value (High, Medium, Low)	Level of Threat (High, Medium, Low)	Recommendation	Replacement	History
				Tree Height (m)	DBH (mm)	Crown Spread (m)							
T1866	<i>Kiuya sempervirens</i>	千那松	LCSO	7.0	200	8.0	Dead	Dead/Removed	Medium	Low	Retain	25-Apr-17	Dead tree was mostly on 01 Dec 2014 (Ref. 10000000). This was clearly retained dangerous tree on 5 June 2015 and removed on 7 June 2015. Replacement on 24-Apr-2016
T4001	<i>Ficus bingchuan</i>	黄皮树	MTR&M-CSD		<35			Retained			Retain	12-Aug-15	Affected by typhoon signal no.8 on 15 September 2014. Compensatory on 12 Aug 15 with heavy standard tree
T4002	<i>Ficus bingchuan</i>	黄皮树	MTR&M-CSD		<35			Retained			Retain	12-Aug-15	Affected by typhoon signal no.8 on 15 September 2014. Compensatory on 12 Aug 15 with heavy standard tree
AT015	<i>Alnus excelsior</i>	桉树	LCSO	7.0	100	4.0	Fair	Fair	Medium	Medium	Retain	27-Sep-17	removed on 25/08/17 due to typhoon signal no. 10 affected on 20 Aug 2017. Replacement on 27 Sep 17 with heavy standard tree
AT04	<i>Quercus bialanensis</i>	橡树	LCSO	7.0	95	5.0	Poor	Dead	Low	Medium	Retain	24-Dec-16	Replacement on 24 Dec 2016
AT049	<i>Kiuya sempervirens</i>	千那松	LCSO	18	220	5.0	Fair	Retained	Medium	Medium	Retain	25-Dec-16	Affected by typhoon signal no.8 on 15 September 2014. Replacement on 25 Dec 2016
AT150	<i>Kiuya sempervirens</i>	千那松	LCSO	9	270	4.5	Fair	Retained	Medium	Medium	Retain	25-Dec-16	Affected by typhoon signal no. 8 on 15 September 2014. Replacement on 25 Dec 2016
AT07	<i>Lagerströmia speciosa</i>	人字木	LCSO	5.0	110	3	poor	Poor	Low	Low	Retain	25-Dec-16	compensatory on 20 Dec 2016

Tree No.	Tree Species	Chinese Name	Maintenance Dept.	Site		Tree Form (Good, Fair, Poor)	Incl. Cond. (High, Medium, Low)	Anchorage Value (High, Medium, Low)	Survival of Transplant (High, Medium, Low)	Recommendation	Final Transplanting Location	Handover to GC (WZD/11th)	Handover to CSR (WZD/11th)	Replant
				Tree Height (m)	Crown Spread (m)									
T122b	<i>Royalsora rugis</i>	耳叶	LCSD	5.0	165	4.0	Fair	Medium	Medium	Transplant	-	-	20-Nov-17	
T1240	<i>Royalsora rugis</i>	耳叶	LCSD	9.0	230	4.5	Fair	Medium	Medium	Transplant	-	-	20-Jun-16	
T1244	<i>Royalsora rugis</i>	耳叶	LCSD	10.0	270	4.5	Fair	Medium	Medium	Transplant	-	-	6-Jul-16	
T1275	<i>Royalsora rugis</i>	耳叶	LCSD	9.0	185	3.5	Poor	Removed	Low	Transplant	-	-	Replaced by a heavy standard tree on holding nursery in Nov 2015	
T1276	<i>Royalsora rugis</i>	耳叶	LCSD	7.0	150	4.0	Poor	Removed	Medium	Transplant	-	-	Replaced by a heavy standard tree on holding nursery in Nov 2015	
T1282	<i>Hibiscus sabotz</i>	芙蓉	LCSD	8.0	170	8.0	Fair	Fair	Medium	Transplant	-	25-Jul-17	Replaced by a heavy standard tree on holding nursery in Nov 2015	
T1287	<i>Royalsora rugis</i>	耳叶	LCSD	7.0	200	4.0	Fair	Medium	Low	Transplant	-	-	27-05-2016	
T1299	<i>Royalsora rugis</i>	耳叶	LCSD	8.0	300	5.0	Fair	Fair	Low	Transplant	-	-	9-Jul-16	
T1338	<i>Erythrina variegata</i>	耳叶	LCSD	8.0	205	6.0	Fair	Fair	Medium	Transplant	-	25-Jul-17	12-May-17	
T1339	<i>Erythrina variegata</i>	耳叶	LCSD	8.0	205	6.0	Fair	Fair	Medium	Transplant	-	25-Jul-17	28-Jul-16	
T1340	<i>Erythrina variegata</i>	耳叶	LCSD	8.0	150	6.0	Fair	Fair	Medium	Transplant	-	25-Jul-17	20-Jul-16	
T1341	<i>Erythrina variegata</i>	耳叶	LCSD	9.0	160	6.0	Fair	Fair	Medium	Transplant	-	25-Jul-17	Replaced by a heavy standard tree on holding nursery in Nov 2015	
T1342	<i>Erythrina variegata</i>	耳叶	LCSD	6.0	120	5.0	Fair	Fair	Medium	Transplant	-	25-Jul-17	20-Jul-16	
T1345	<i>Erythrina variegata</i>	耳叶	LCSD	9.0	215	6.0	Fair	Fair	Medium	Transplant	-	25-Jul-17	August 2016	
T1349	<i>Royalsora rugis</i>	耳叶	LCSD	7.0	210	4.0	Fair	Fair	Medium	Transplant	-	-	Replaced by a heavy standard tree on holding nursery in Nov 2015	
T1351	<i>Royalsora rugis</i>	耳叶	LCSD	7.0	250	4.0	Fair	Fair	Medium	Transplant	-	-	15-Sep-17	
T1356	<i>Royalsora rugis</i>	耳叶	LCSD	7.0	265	4.0	Fair	Fair	Medium	Transplant	-	-	20-Nov-17	
T1358	<i>Royalsora rugis</i>	耳叶	LCSD	8.5	275	4.0	Fair	Fair	Medium	Transplant	-	-	23-Oct-16	
T1391	<i>Royalsora rugis</i>	耳叶	LCSD	9.5	265	4.0	Poor	Removed	Medium	Transplant	-	-	Replacements and replant location on 30 Aug 2015	
T1399	<i>Royalsora rugis</i>	耳叶	LCSD	5.0	205	3.0	Fair	Fair	Medium	Transplant	-	-	15-Sep-17	
T1420	<i>Hibiscus sabotz</i>	芙蓉	LCSD	7.0	170	6.0	Fair	Fair	Low	Transplant	-	25-Jul-17	Replaced by a heavy standard tree on holding nursery in Nov 2015	
T1458	<i>Ficus religiosa</i>	五加皮(耳叶)	LCSD	7.0	370	7.0	Poor	Fair	Medium	Transplant	-	25-Jul-17	28-Jul-16	
T1460	<i>Ficus religiosa</i>	五加皮(耳叶)	LCSD	6.5	420	6.0	Fair	Fair	Medium	Transplant	-	25-Jul-17	30-Jan-16	
T1462	<i>Ficus religiosa</i>	五加皮(耳叶)	LCSD	6.0	370	6.0	Fair	Fair	Medium	Transplant	-	25-Jul-17	30-Apr-16	
T1469	<i>Ficus microcarpa</i>	雀巢(耳叶)	LCSD	6.5	260	5.0	Fair	Removed	Medium	Transplant	-	-	6-Oct-16	
T1482	<i>Ficus microcarpa</i>	雀巢(耳叶)	LCSD	7.0	200	4.5	Fair	Removed	Medium	Transplant	-	-	7-Oct-16	
T1495	<i>Ficus microcarpa</i>	雀巢(耳叶)	LCSD	7.5	220	5.0	Fair	Fair	Medium	Transplant	-	25-Jul-17	Replaced	
T1501	<i>Erythrina variegata</i>	耳叶	LCSD	6.0	180	7.0	Fair	Demolish	Medium	Transplant	-	25-Jul-17	Replaced	
T1711	<i>Knappe sargentiana</i>	小洋桃	LCSD	12.0	300	10.0	Poor	Dead tree	Low	Transplant	-	25-Jul-17	August-16	
T1718	<i>Royalsora rugis</i>	耳叶	LCSD	8.0	220	4.0	Fair	Fair	Medium	Transplant	-	-	5-Jul-16	

Tree No.	Tree Species	Chinese Name	Maintenance Dept.	Size		Crown Spread (m)	Tree Form (Good, Fair, Poor)	Health (Good, Fair, Poor)	Anxiety Value (High, Medium, Low)	Survival of Transplant (High, Medium, Low)	Recommended on	Final Transplanting Location	Manpower to CC (M2071MM)	Manpower to CS (M208819)	Replant
				Tree Height (m)	DBH (mm)										
T1773	<i>Roydonia rigida</i>	4% 4%	LCSO	12.0	312	4.5	Poor	Poor	Medium	Medium	Transplant	Central	-	-	27-Sep-17
T1725	<i>Alseodaphne glabra</i>	4.3% 4%	LCSO	14.0	423	10.0	Fair	Dead Tree	Medium	Low	Transplant	CTS-Runsby	-	25-Jul-17	Replaced on Aug 2016
T1756	<i>Bauhinia baueriana</i>	2.2% 2%	LCSO	7.0	220	7.0	Fair	Damaged	Medium	Medium	Transplant	Central	-	-	188/12
T1760	<i>Bauhinia baueriana</i>	3.7% 3%	LCSO	8.0	150	5.0	Poor	Damaged	Low	Medium	Transplant	Central	-	-	13-Oct-18
T1763	<i>Bauhinia baueriana</i>	3.7% 3%	LCSO	6.0	160	7.0	Poor	Damaged	Low	Medium	Transplant	Central	-	-	6-Oct-16
T1764	<i>Bauhinia baueriana</i>	2.2% 2%	LCSO	6.0	160	8.0	Poor	Damaged	Low	Medium	Transplant	Central	-	-	6-Oct-18
T1807	<i>Melaleuca leucadendron</i>	5.1% 5%	LCSO	7.0	160	8.0	Fair	Fair	Medium	Low	Transplant	Central (Original Location)	-	-	24-Oct-16
T1809	<i>Roydonia rigida</i>	3.5% 3%	LCSO	13.0	340	4.5	Fair	Dead	Medium	Medium	Direct transplant	Central	-	-	30-Mar-17
T1812	<i>Roydonia rigida</i>	3.1% 3%	LCSO	11.0	320	4.5	Fair	Dead	Medium	Medium	Direct transplant	Central	-	-	30-Mar-17
T1819	<i>Roydonia rigida</i>	3.1% 3%	LCSO	12.0	279	4.5	Fair	Dead	Medium	Medium	Direct transplant	Central	-	-	27-Sep-17
T1820	<i>Roydonia rigida</i>	3.5% 3%	LCSO	12.0	240	4.5	Fair	Poor	Medium	Medium	Direct transplant	Central	-	-	29-Jun-17
T1824	<i>Roydonia rigida</i>	3.1% 3%	LCSO	12.0	320	4.5	Fair	Dead	Medium	Medium	Direct transplant	Central	-	-	27-Sep-17
T1826	<i>Roydonia rigida</i>	3.1% 3%	LCSO	11.0	270	4.5	Fair	Fair	Medium	Medium	Direct transplant	Central	-	-	27-Jun-18
T1828	<i>Roydonia rigida</i>	3.1% 3%	LCSO	10.0	312	4.5	Fair	Fair	Medium	Medium	Direct transplant	Central	-	-	27-Sep-17
T1830	<i>Roydonia rigida</i>	3.1% 3%	LCSO	10.0	300	4.5	Fair	Fair	Medium	Medium	Direct transplant	Central	-	-	18-Sep-17
T1832	<i>Roydonia rigida</i>	3.1% 3%	LCSO	11.0	300	4.5	Fair	Fair	Medium	Medium	Direct transplant	Central	-	-	29-Jun-16
T1838	<i>Roydonia rigida</i>	3.1% 3%	LCSO	9.0	310	4.5	Fair	Fair	Medium	Medium	Transplant	Central	-	-	24-Nov-17
T1845	<i>Roydonia rigida</i>	3.1% 3%	LCSO	9.0	300	4.5	Fair	Dead	Medium	Medium	Direct transplant	Central	-	-	Replaced on Jul 2016
T1854	<i>Dalbergia bicknellii</i>	4.0% 4%	LCSO	4.0	70	2.0	Fair	poor	Medium	Medium	Transplant	Central	15-Jul-17	-	Replaced
T1855	<i>Dalbergia bicknellii</i>	4.0% 4%	LCSO	4.0	70	3.0	Fair	poor	Medium	Medium	Transplant	CTS-Runsby	-	25-Jul-17	Replaced



Tree No.	Tree Species	Chinese Name	Malay Name	Size		Crown Spread (m)	Tree Form (Good, Fair, Poor)	Health (Good, Fair, Damaged, Dead)	Anxiety Value (High, Medium, Low)	Survival of Transplant (High, Medium, Low)	Recommendation	Final Transplanting Location	Handover to CC (WZS/11M)	Handover to CR (WZS/619)	Replacement
				Tree Height (m)	DBH (cm)										
T186	<i>Ficus virens</i>	山欖樹(大葉)	LCSD	7.0	270	7.0	Fair	Fair	Medium	Low	Transplant	C18-Rumsey	-	25-Jan-17	Replaced
T206	<i>Albizia leonensis</i>	白千層	LCSD	8.0	120	3.0	Fair	Fair	Medium	Medium	Transplant	Central	-	-	20-Jun-16
T211	<i>Albizia leonensis</i>	白千層	LCSD	6.0	120	3.0	Poor	Removed	Medium	Medium	Transplant	Central	-	-	5-Jul-16
AT01	<i>Ribes cereum</i>	茶	LCSD	7.0	115	6.0	Fair	Damaged	Medium	Medium	Transplant	Central	13-Jul-17	-	Replaced
AT02	<i>Cordia alliodora</i>	山欖	LCSD	7.5	140	5.0	Fair	Fair	Medium	Medium	Transplant	Central	-	-	Replaced by heavy standard tree on holding nursery in Nov 2015
AT05	<i>Diospyros</i>	黑木	LCSD	6.0	120	5.0	Poor	Fair	Medium	Medium	Transplant	Central	15-Jul-17	-	Replaced by heavy standard tree on holding nursery in Nov 2015
AT07	<i>Albizia echinaria</i>	白千層	LCSD	4.0	110	2.0	Fair	Fair	Medium	Medium	Transplant	Central	13-Jul-17	-	Replaced by heavy standard tree on holding nursery in Nov 2015
AT02	<i>Barringtonia</i>	洋菜樹	LCSD	6.0	100	5.0	Fair	Dead	Medium	Medium	Transplant	Central	13-Jul-17	-	Replaced by heavy standard tree on holding nursery in Nov 2015
AT02	<i>Artocarpus</i>	山欖	LCSD	7.0	95	2.0	Fair	Dead	Medium	Medium	Transplant	Central (Original Location)	-	-	24-Dec-16
AT07	<i>Rosa</i>	山欖	LCSD	13	200	4.0	Fair	Dead	Medium	Medium	Transplant	C18-Rumsey	-	25-Jul-17	Replaced on Nov 2015
AT08	<i>Rosa</i>	山欖	LCSD	8	200	4.0	Fair	Dead	Medium	Medium	Transplant	C18-Rumsey	-	25-Jul-17	Replaced on Nov 2015 by heavy standard tree on holding nursery in Nov 2015
AT02	<i>Albizia</i>	白千層	LCSD	6	100	2.0	Poor	Removed	Low	Low	Transplant	Bridge B (Original Location)	-	-	Replaced on Nov 2015 by heavy standard tree on holding nursery in Nov 2015
AT03	<i>Albizia</i>	白千層	LCSD	5	100	2.0	Poor	Removed	Low	Low	Transplant	Bridge B (Original Location)	-	-	Replaced on Nov 2015 by heavy standard tree on holding nursery in Nov 2015
AT04	<i>Lagerflora</i>	山欖	LCSD	5	110	3.0	Fair	Fair	Low	Low	Transplant	Bridge B (Original Location)	-	-	Replaced
AT01	<i>Rosa</i>	山欖	LCSD	13	412	4	Fair	Fair	Medium	Medium	Direct transplant	Central	-	-	Replaced
AT02	<i>Rosa</i>	山欖	LCSD	7.5	100	3.5	Poor	Poor	Low	Low	Transplant	C18-Rumsey	-	25-Jul-17	Replaced
AT03	<i>Artocarpus</i>	山欖	LCSD	7	110	3.0	Poor	Dead	Low	Low	Transplant	C18-Rumsey	-	25-Jul-17	Replaced

Tree No.	Tree Species	Chinese Name	Maintenance Dept.	Size		Crown Spread (m)	Tree Form (Good, Fair, Poor)	Health (Good, Fair, Poor, Dead/Removed)	Disease status	Acidity Value (High, Medium, Low)	Survival of Tree (High, Medium, Low)	2013 Recommendation	Final Recommendation	Date of tree falling	Compensation
				Tree height (m)	DBH (cm)										
T1727	<i>Bauhinia variegata</i>	洋紫荊	LCSO	10.0	379	4.5	Fair	Removed	-	Medium	Medium	Fail	Cancel	2013	
T1729	<i>Bauhinia distans</i>	洋紫荊	LCSO	8.0	130	5.0	Poor	Removed	-	Low	Medium	Fail	Cancel	2013	
T1732	<i>Bauhinia distans</i>	洋紫荊	LCSO	7.0	120	7.0	Poor	Removed	-	Low	Medium	Fail	Cancel	2013	
T1736	<i>Bauhinia distans</i>	洋紫荊	LCSO	10.0	200	10.0	Fair	Removed	-	Medium	Medium	Fail	Cancel	2013	
T1739	<i>Bauhinia distans</i>	洋紫荊	LCSO	11.0	320	10.0	Fair	Removed	-	Medium	Medium	Fail	Cancel	2013	
T1742	<i>Bauhinia variegata</i>	洋紫荊	LCSO	8.0	249	8.0	Fair	Removed	-	Medium	Medium	Fail	Cancel	2013	
T1771	<i>Bauhinia variegata</i>	洋紫荊	LCSO	8.0	1000	10.0	Fair	Removed	-	Medium	Low	Fail	Cancel	2013	
T1781	<i>Bauhinia variegata</i>	洋紫荊	LCSO	9.0	176	6.0	Poor	Removed	-	Low	Low	Fail	Cancel	2013	
T1782	<i>Bauhinia variegata</i>	洋紫荊	LCSO	8.0	238	8.0	Poor	Removed	-	Low	Low	Fail	Cancel	2013	
T1783	<i>Bauhinia variegata</i>	洋紫荊	LCSO	8.0	268	9.0	Poor	Removed	-	Low	Low	Fail	Cancel	2013	
T1784	<i>Bauhinia distans</i>	洋紫荊	LCSO	10.0	179	8.0	Poor	Removed	-	Low	Low	Fail	Cancel	2013	
T1785	<i>Bauhinia distans</i>	洋紫荊	LCSO	10.0	280	10.0	Fair	Removed	-	Low	Low	Fail	Cancel	2013	
T1789	<i>Bauhinia variegata</i>	洋紫荊	LCSO	8.0	218	7.0	Fair	Removed	-	Medium	Medium	Fail	Cancel	2013	
T1790	<i>Bauhinia variegata</i>	洋紫荊	LCSO	7.0	200	7.0	Fair	Removed	-	Medium	Medium	Fail	Cancel	2013	
T1791	<i>Bauhinia variegata</i>	洋紫荊	LCSO	7.0	166	7.0	Fair	Removed	-	Medium	Medium	Fail	Cancel	2013	
T1792	<i>Bauhinia variegata</i>	洋紫荊	LCSO	7.0	150	5.0	Fair	Removed	-	Medium	Medium	Fail	Cancel	2013	
T1793	<i>Bauhinia variegata</i>	洋紫荊	LCSO	2.0	136	2.0	Poor	Removed	-	Low	Low	Fail	Cancel	2013	
T1794	<i>Bauhinia distans</i>	洋紫荊	LCSO	10.0	219	10.0	Poor	Removed	-	Low	Medium	Fail	Cancel	2013	
T1795	<i>Bauhinia variegata</i>	洋紫荊	LCSO	7.0	158	7.0	Poor	Removed	-	Low	Medium	Fail	Cancel	2013	
T1796	<i>Bauhinia distans</i>	洋紫荊	LCSO	12.0	320	10.0	Poor	Removed	-	Low	Medium	Fail	Cancel	2013	
T1798	<i>Bauhinia distans</i>	洋紫荊	LCSO	9.0	138	8.0	Poor	Removed	-	Low	Medium	Fail	Cancel	2013	
T1799	<i>Bauhinia variegata</i>	洋紫荊	LCSO	9.0	160	9.0	Poor	Removed	-	Low	Medium	Fail	Cancel	2013	
T1801	<i>Bauhinia distans</i>	洋紫荊	LCSO	10.0	160	8.0	Poor	Removed	-	Low	Medium	Fail	Cancel	2013	
T1802	<i>Bauhinia distans</i>	洋紫荊	LCSO	10.0	220	8.0	Poor	Removed	-	Low	Medium	Fail	Cancel	2013	
T1803	<i>Bauhinia distans</i>	洋紫荊	LCSO	13.0	355	13.0	Poor	Removed	-	Low	Medium	Fail	Cancel	2013	
T1806	<i>Bauhinia distans</i>	洋紫荊	LCSO	14.0	330	14.0	Fair	Removed	-	Medium	Medium	Fail	Cancel	2013	
AT021	<i>Macaranga leucosticta</i>	白木	LCSO	7.0	128	7.0	Fair	Dead	-	Medium	Medium	Fail	Cancel	2013	
AT024	<i>Macaranga leucosticta</i>	白木	LCSO	7.0	155	6.0	Fair	Dead	-	Medium	Medium	Fail	Cancel	2013	
AT025	<i>Bauhinia variegata</i>	洋紫荊	LCSO	6.0	115	6.0	Fair	Dead	-	Low	Low	Fail	Cancel	2013	
AT026	<i>Bauhinia variegata</i>	洋紫荊	LCSO	7.0	115	10.0	Fair	Dead	-	Medium	Medium	Fail	Cancel	2013	

Compensatory planting of 42 nos. *Wodyetia bilurcata* and 11 nos. *Bauhinia variegata* var. *candida*

# **Appendix E**

## **Summary of transplant trees handed over to other Works Contract**

Tree No.	Tree Species	Chinese Name	Maintenance Dm.	Site		Crown Spread (m)	Tree Form (Qual. Pfl. Prod.)	Health (Good, Deteriorate)	Arms Value (High, Medium, Low)	Survival of Transplanted (High, Medium, Low)	Recommendation	Final Transplanting Location	Handover to CC NY2018	Handover to C19 NY2020	Replacement
				Tree Height (m)	DBH (mm)										
T1282	<i>Hibiscus mosueri</i>	芙蓉	LCSD	8.0	170	8.0	Fair	Fair	Medium	Low	Transplant	C19-Rumsey	25-Jul-17	25-Jul-17	Replaced by a heavy standard tree on holding nursery in Nov 2015
T1338	<i>Erythrina variegata</i>	洋紫荊	LCSD	8.0	205	6.0	Fair	Fair	Medium	Medium	Transplant	C19-Rumsey	25-Jul-17	25-Jul-17	Replaced by a heavy standard tree on holding nursery in Nov 2015
T1339	<i>Erythrina variegata</i>	洋紫荊	LCSD	8.0	205	8.0	Fair	Fair	Medium	Medium	Transplant	C19-Rumsey	25-Jul-17	25-Jul-17	Replaced by a heavy standard tree on holding nursery in Nov 2015
T1340	<i>Erythrina variegata</i>	洋紫荊	LCSD	8.0	150	8.0	Fair	Fair	Medium	Medium	Transplant	C19-Rumsey	25-Jul-17	25-Jul-17	Replaced by a heavy standard tree on holding nursery in Nov 2015
T1341	<i>Erythrina variegata</i>	洋紫荊	LCSD	8.0	160	8.0	Fair	Fair	Medium	Medium	Transplant	C19-Rumsey	25-Jul-17	25-Jul-17	Replaced by a heavy standard tree on holding nursery in Nov 2015
T1342	<i>Erythrina variegata</i>	洋紫荊	LCSD	8.0	120	5.0	Fair	Fair	Medium	Medium	Transplant	C19-Rumsey	25-Jul-17	25-Jul-17	Replaced by a heavy standard tree on holding nursery in Nov 2015
T1343	<i>Erythrina variegata</i>	洋紫荊	LCSD	8.0	215	6.0	Fair	Fair	Medium	Medium	Transplant	C19-Rumsey	25-Jul-17	25-Jul-17	Replaced by a heavy standard tree on holding nursery in Nov 2015
T1420	<i>Hibiscus mosueri</i>	芙蓉	LCSD	7.0	170	6.0	Fair	Fair	Medium	Low	Transplant	C19-Rumsey	25-Jul-17	25-Jul-17	Replaced by a heavy standard tree on holding nursery in Nov 2015
T1438	<i>Ficus alida</i>	青上(青樹)	LCSD	7.0	350	7.0	poor	Fair	Medium	Medium	Transplant	C19-Rumsey	25-Jul-17	25-Jul-17	Replaced by a heavy standard tree on holding nursery in Nov 2015
T1460	<i>Ficus alida</i>	青上(青樹)	LCSD	6.5	400	8.0	Fair	Fair	Medium	Medium	Transplant	C19-Rumsey	25-Jul-17	25-Jul-17	Replaced by a heavy standard tree on holding nursery in Nov 2015
T1492	<i>Ficus alida</i>	青上(青樹)	LCSD	6.0	370	6.0	Fair	Fair	Medium	Medium	Transplant	C19-Rumsey	25-Jul-17	25-Jul-17	Replaced by a heavy standard tree on holding nursery in Nov 2015
T1493	<i>Ficus alida</i>	青上(青樹)	LCSD	7.5	220	5.0	Fair	Fair	Medium	Medium	Transplant	C19-Rumsey	25-Jul-17	25-Jul-17	Replaced by a heavy standard tree on holding nursery in Nov 2015
T1501	<i>Erythrina variegata</i>	洋紫荊	LCSD	5.0	180	7.0	Fair	Deteriorated	Medium	Medium	Transplant	C19-Rumsey	25-Jul-17	25-Jul-17	Replaced
T1711	<i>Nyssa sinensis</i>	黑木	LCSD	12.0	350	10.0	Poor	Dead Tree	Medium	Low	Transplant	C19-Rumsey	25-Jul-17	25-Jul-17	August-18
T1725	<i>Nyssa sinensis</i>	黑木	LCSD	14.0	420	10.0	Fair	Dead Tree	Medium	Low	Transplant	C19-Rumsey	25-Jul-17	25-Jul-17	Replaced on Aug 2018
T1756	<i>Bauhinia bhojaviana</i>	洋紫荊	LCSD	7.0	220	7.0	Fair	Deteriorated	Medium	Medium	Transplant	CC-Nursery site	25-Jul-17	25-Jul-17	18/6/12
T1854	<i>Dalbergia baliensis</i>	白木	LCSD	4.0	70	2.0	Fair	poor	Medium	Medium	Transplant	CC-Nursery site	13-Jul-17	-	Replaced
T1855	<i>Dalbergia baliensis</i>	白木	LCSD	4.0	70	3.0	Fair	poor	Medium	Medium	Transplant	C19-Rumsey	25-Jul-17	25-Jul-17	Replaced
T1884	<i>Ficus virens</i>	青木(水樹)	LCSD	7.0	270	7.0	Fair	Fair	Medium	Low	Transplant	C19-Rumsey	25-Jul-17	25-Jul-17	Replaced
A1001	<i>Hibiscus mosueri</i>	芙蓉	LCSD	7.0	115	6.0	Fair	Deteriorated	Medium	Medium	Transplant	CC-Nursery site	13-Jul-17	-	Replaced
A1005	<i>Dalbergia baliensis</i>	白木	LCSD	6.0	120	5.0	poor	Fair	Medium	Medium	Transplant	CC-Nursery site	13-Jul-17	-	Replaced by a heavy standard tree on holding nursery in Nov 2015
A1007	<i>Albizia adonata</i>	白木	LCSD	4.0	110	2.0	Fair	Fair	Medium	Medium	Transplant	CC-Nursery site	13-Jul-17	-	Replaced by a heavy standard tree on holding nursery in Nov 2015
A1022	<i>Bauhinia bhojaviana</i>	洋紫荊	LCSD	6.0	100	5.0	Fair	Dead	Medium	Medium	Transplant	CC-Nursery site	13-Jul-17	-	Replaced on Nov 2015
A1037	<i>Nyssa sinensis</i>	黑木	LCSD	12	300	4.0	Fair	Dead	Medium	Medium	Transplant	C19-Rumsey	25-Jul-17	25-Jul-17	Replaced on Nov 2015
A1038	<i>Nyssa sinensis</i>	黑木	LCSD	9	220	4.0	Fair	Dead	Medium	Medium	Transplant	C19-Rumsey	25-Jul-17	25-Jul-17	Replaced on Nov 2015 by heavy standard tree on holding nursery in Nov 2015
A1062	<i>Ficus virens</i>	青木	LCSD	1.5	100	3.5	poor	poor	Low	Low	Transplant	C19-Rumsey	25-Jul-17	25-Jul-17	Replaced
A1063	<i>Acrocarpus sativa</i>	龍眼	LCSD	7	110	3.0	poor	Dead	Low	Low	Transplant	C19-Rumsey	25-Jul-17	25-Jul-17	Replaced

Tree No.	Tree Species	Chinese Name	Maintenance Dept.	Size			Crown Spread (m)	Tree Form (Erect, Fair, Poor)	Health (Good, Fair, Poor)	Anxiety Value (High, Medium, Low)	Survival of Transplant (High, Medium, Low)	Recommendations	Final Transplanting Location
				DBH (cm)	Tree Height (m)	Main Branches Dept.							
T1021	Hibiscus sabotus	木槿	LCSO	7.0	12.3	3.0	Fair	Fair	Medium	Low	Transplant	C1B-Rumsey	
T1025	Hibiscus sabotus	木槿	LCSO	6.0	13.3	4.0	Fair	Fair	Medium	Low	Transplant	C1B-Rumsey	
T1081	Hibiscus sabotus	木槿	LCSO	8.0	14.3	6.0	Poor	Fair	Medium	Low	Transplant	C1B-Rumsey	
T1083	Hibiscus sabotus	木槿	LCSO	7.0	14.3	5.0	Fair	Fair	Medium	Low	Transplant	C1B-Rumsey	
T1084	Hibiscus sabotus	木槿	LCSO	7.0	19.3	6.0	Fair	Fair	Medium	Low	Transplant	C1B-Rumsey	
T1085	Hibiscus sabotus	木槿	LCSO	6.0	16.5	6.0	Fair	Fair	Medium	Low	Transplant	C1B-Rumsey	
T1086	Hibiscus sabotus	木槿	LCSO	6.0	27.0	6.0	Fair	Fair	Medium	Low	Transplant	C1B-Rumsey	
T1090	Azalea scholiers	碧桃	LCSO	3.5	10.7	1.5	Fair	Fair	Medium	Low	Transplant	C1B-Rumsey	
T1106	Dubautia corymb	西洋木	LCSO	5.0	17.5	6.0	Fair	Fair	Medium	Medium	Transplant	C1B-Rumsey	
T1121	Azalea scholiers	碧桃	LCSO	4.5	11.3	3.5	Fair	Fair	Medium	Low	Transplant	C1B-Rumsey	
T1122	Azalea scholiers	碧桃	LCSO	4.0	11.3	2.0	Fair	Fair	Medium	Low	Transplant	C1B-Rumsey	
T1143	Erythrina variegata	蝴蝶	LCSO	6.0	20.3	6.0	Fair	Fair	Medium	Medium	Transplant	C1B-Rumsey	
T1144	Erythrina variegata	蝴蝶	LCSO	7.0	19.3	6.0	Fair	Fair	Medium	Medium	Transplant	C1B-Rumsey	
T1147	Hibiscus sabotus	木槿	LCSO	8.0	14.3	5.0	Poor	Fair	Medium	Low	Transplant	C1B-Rumsey	
T1156	Pear edulis	梨	LCSO	4.0	13.5	3.0	Fair	Fair	Medium	Medium	Transplant	C1B-Rumsey	
T1167	Pear edulis	梨	LCSO	4.5	14.3	3.0	Fair	Fair	Medium	Medium	Transplant	C1B-Rumsey	
T1169	Pear edulis	梨	LCSO	5.0	21.3	4.0	Fair	Fair	Medium	Medium	Transplant	C1B-Rumsey	
T1161	Pear edulis	梨	LCSO	5.0	26.3	5.0	Fair	Fair	Medium	Medium	Transplant	C1B-Rumsey	
T1163	Pear edulis	梨	LCSO	6.5	24.3	5.0	Fair	Fair	Medium	Medium	Transplant	C1B-Rumsey	
T1164	Pear edulis	梨	LCSO	7.0	25.3	5.0	Fair	Fair	Medium	Medium	Transplant	C1B-Rumsey	
T1166	Pear edulis	梨	LCSO	7.0	23.3	5.0	Fair	Fair	Medium	Medium	Transplant	C1B-Rumsey	
T1167	Pear edulis	梨	LCSO	7.0	21.3	5.0	Fair	Fair	Medium	Medium	Transplant	C1B-Rumsey	
T1169	Pear edulis	梨	LCSO	8.0	23.3	5.0	Fair	Fair	Medium	Medium	Transplant	C1B-Rumsey	
T1163	Pear edulis	梨	LCSO	5.0	21.3	5.0	Fair	Fair	Medium	Medium	Transplant	C1B-Rumsey	
T1170	Lagerströmia speciosa	土沉香	LCSO	8.0	16.5	7.0	Fair	Fair	Medium	Low	Transplant	C1B-Rumsey	
T1177	Lagerströmia speciosa	土沉香	LCSO	6.5	16.5	7.0	Fair	Fair	Medium	Low	Transplant	C1B-Rumsey	
T1178	Lagerströmia speciosa	土沉香	LCSO	8.0	14.3	8.0	Poor	Fair	Medium	Low	Transplant	C1B-Rumsey	
T1187	Pear edulis	梨	LCSO	5.0	10.5	2.0	Fair	Fair	Medium	Low	Transplant	C1B-Rumsey	
T1187	Pear edulis	梨	LCSO	12.0	31.5	7.0	Fair	Fair	Medium	Low	Transplant	C1B-Rumsey	
T1188	Pear edulis	梨	LCSO	15.0	28.3	7.0	Fair	Fair	Medium	Low	Transplant	C1B-Rumsey	
T1166	Pear edulis	梨	LCSO	5.0	6.0	7.0	Fair	Fair	Medium	Medium	Transplant	C1B-Rumsey	
T1165	Pear edulis	梨	LCSO	4.0	31.5	3.0	Poor	Fair	Low	Medium	Transplant	C1B-Rumsey	
T1169	Pear edulis	梨	LCSO	7.0	23.3	9.0	Fair	Fair	Medium	Low	Transplant	C1B-Rumsey	
T1170	Pear edulis	梨	LCSO	10.0	30.7	8.0	Fair	Fair	Medium	Low	Transplant	C1B-Rumsey	
T1172	Erythrina variegata	蝴蝶	LCSO	7.0	22.3	7.0	Fair	Fair	Medium	Medium	Transplant	C1B-Rumsey	
AT004	Dubautia corymb	西洋木	LCSO	5.0	13.3	4.0	Poor	Fair	Medium	Medium	Transplant	CC-Nancy 26	
AT005	Azalea scholiers	碧桃	LCSO	5.0	9.5	2.5	Fair	Fair	Medium	Medium	Transplant	CC-Nancy 26	
AT006	Dubautia corymb	西洋木	LCSO	6.0	19.3	4.5	Fair	Fair	Medium	Medium	Transplant	CC-Nancy 26	
AT009	Dubautia corymb	西洋木	LCSO	3.5	11.3	6.0	Fair	Fair	Medium	Medium	Transplant	CC-Nancy 26	
AT015	Pear edulis	梨	LCSO	4.0	8.5	2.0	Fair	Fair	Medium	Medium	Transplant	CC-Nancy 26	
AT017	Pear edulis	梨	LCSO	3.0	10.0	2.0	Fair	Fair	Medium	Medium	Transplant	CC-Nancy 26	
A1001	Hibiscus sabotus	木槿	LCSO	1.5	15.3	2.0	Fair	Fair	Medium	Medium	Transplant	C1B-Rumsey	

**Appendix F**  
**Handed over record to Maintenance**  
**Agency**





AECOM  
8/F, Grand Central Plaza, Tower 2,  
138 Shatin Rural Committee Road,  
Shatin, Hong Kong  
香港新界沙田鄉事會路 138 號  
新城市中央廣場第 2 座 8 樓  
www.aecom.com

Engineer's Representative's Office  
Room 1401-06, 14/F., Eastern Centre,  
1065 King's Road, Quarry Bay, H.K.  
香港銅鑼灣英皇道 1065 號  
東達中心 14 樓 1401-06 室  
+852 3650 1600 tel  
+852 3665 0106 fax

Your Ref. : -  
Our Ref. : CWB/(HY/2009/18)/C55/500/18B011812



18B011812

15 May 2018

Leisure and Cultural Services Department  
Leisure Services Branch  
Leisure Services Branch - Division 2  
Leisure Management/Hong Kong West  
Central and Western District Leisure Service Office  
Room 1001, 10/F., Sheung Wan Municipal Services Building,  
345 Queen's Road Central,  
Hong Kong.

Attn.: Mr. Lo Ying Hung, Michael

Dear Sir,

**Contract No. HY/2009/18**  
**Central-Wan Chai Bypass – Central Interchange**

**Handover of Planters along Man Kwong Street**

I refer to the joint handover inspection amongst Mr. Michael Lo and his team (LCSD), Mr. Michael Cheng and Mr. Cheung Cheuk Wai (AECOM) and Miss Wayne Law (LCAL) on 23 April 2018 of the planters along Man Kwong Street as shown on the enclosed planting layout plans (**Annex A**).

I note that your department is satisfied with the condition of the planters and the associated irrigation system and has no objection to taking over the horicultural maintenance thereof with effect from 24 April 2018.

Lastly, I enclose herewith the drawings of irrigation system for these planters (**Annex B**), photos taken during the final handover inspection (**Annex C**) and also the Tree Risk Assessment Form 1 Report 2018 (**Annex D**) for your record.

Should you have any queries, please free feel to contact my RE, Mr. Nelson Chin at 6461 8784.

Yours faithfully,  
For and on behalf of  
AECOM Asia Co. Ltd.

David Kwan  
Chief Resident Engineer



P.2

Your Ref. : -  
Our Ref. : CWB/(HY/2009/18)/C55/500/18B011812

Encl.

c.c. CE3/MW, HyD - Attn : Mr. W.K. Lo ] - w/encl.

e.c. AECOM - Attn.: Mr. Alex Li / Ms. Ivy Chung  
RSS - PP, YN

Response required : Yes / No

DK/RYN/AC/AWHC/CFC/al

**Annex A**  
**Planting Layout Plan**

---



KEY PLAN



LEGEND:

A	FOR REVISION OF PLANTING PATTERN	BY	DATE
1	FOR REVISION OF PLANTING PATTERN	BY	DATE
2	FOR REVISION OF PLANTING PATTERN	BY	DATE
3	FOR REVISION OF PLANTING PATTERN	BY	DATE
4	FOR REVISION OF PLANTING PATTERN	BY	DATE
5	FOR REVISION OF PLANTING PATTERN	BY	DATE
6	FOR REVISION OF PLANTING PATTERN	BY	DATE
7	FOR REVISION OF PLANTING PATTERN	BY	DATE
8	FOR REVISION OF PLANTING PATTERN	BY	DATE
9	FOR REVISION OF PLANTING PATTERN	BY	DATE
10	FOR REVISION OF PLANTING PATTERN	BY	DATE
11	FOR REVISION OF PLANTING PATTERN	BY	DATE
12	FOR REVISION OF PLANTING PATTERN	BY	DATE
13	FOR REVISION OF PLANTING PATTERN	BY	DATE
14	FOR REVISION OF PLANTING PATTERN	BY	DATE
15	FOR REVISION OF PLANTING PATTERN	BY	DATE
16	FOR REVISION OF PLANTING PATTERN	BY	DATE
17	FOR REVISION OF PLANTING PATTERN	BY	DATE
18	FOR REVISION OF PLANTING PATTERN	BY	DATE
19	FOR REVISION OF PLANTING PATTERN	BY	DATE
20	FOR REVISION OF PLANTING PATTERN	BY	DATE
21	FOR REVISION OF PLANTING PATTERN	BY	DATE
22	FOR REVISION OF PLANTING PATTERN	BY	DATE
23	FOR REVISION OF PLANTING PATTERN	BY	DATE
24	FOR REVISION OF PLANTING PATTERN	BY	DATE
25	FOR REVISION OF PLANTING PATTERN	BY	DATE
26	FOR REVISION OF PLANTING PATTERN	BY	DATE
27	FOR REVISION OF PLANTING PATTERN	BY	DATE
28	FOR REVISION OF PLANTING PATTERN	BY	DATE
29	FOR REVISION OF PLANTING PATTERN	BY	DATE
30	FOR REVISION OF PLANTING PATTERN	BY	DATE
31	FOR REVISION OF PLANTING PATTERN	BY	DATE
32	FOR REVISION OF PLANTING PATTERN	BY	DATE
33	FOR REVISION OF PLANTING PATTERN	BY	DATE
34	FOR REVISION OF PLANTING PATTERN	BY	DATE
35	FOR REVISION OF PLANTING PATTERN	BY	DATE
36	FOR REVISION OF PLANTING PATTERN	BY	DATE
37	FOR REVISION OF PLANTING PATTERN	BY	DATE
38	FOR REVISION OF PLANTING PATTERN	BY	DATE
39	FOR REVISION OF PLANTING PATTERN	BY	DATE
40	FOR REVISION OF PLANTING PATTERN	BY	DATE
41	FOR REVISION OF PLANTING PATTERN	BY	DATE
42	FOR REVISION OF PLANTING PATTERN	BY	DATE
43	FOR REVISION OF PLANTING PATTERN	BY	DATE
44	FOR REVISION OF PLANTING PATTERN	BY	DATE
45	FOR REVISION OF PLANTING PATTERN	BY	DATE
46	FOR REVISION OF PLANTING PATTERN	BY	DATE
47	FOR REVISION OF PLANTING PATTERN	BY	DATE
48	FOR REVISION OF PLANTING PATTERN	BY	DATE
49	FOR REVISION OF PLANTING PATTERN	BY	DATE
50	FOR REVISION OF PLANTING PATTERN	BY	DATE
51	FOR REVISION OF PLANTING PATTERN	BY	DATE
52	FOR REVISION OF PLANTING PATTERN	BY	DATE
53	FOR REVISION OF PLANTING PATTERN	BY	DATE
54	FOR REVISION OF PLANTING PATTERN	BY	DATE
55	FOR REVISION OF PLANTING PATTERN	BY	DATE
56	FOR REVISION OF PLANTING PATTERN	BY	DATE
57	FOR REVISION OF PLANTING PATTERN	BY	DATE
58	FOR REVISION OF PLANTING PATTERN	BY	DATE
59	FOR REVISION OF PLANTING PATTERN	BY	DATE
60	FOR REVISION OF PLANTING PATTERN	BY	DATE
61	FOR REVISION OF PLANTING PATTERN	BY	DATE
62	FOR REVISION OF PLANTING PATTERN	BY	DATE
63	FOR REVISION OF PLANTING PATTERN	BY	DATE
64	FOR REVISION OF PLANTING PATTERN	BY	DATE
65	FOR REVISION OF PLANTING PATTERN	BY	DATE
66	FOR REVISION OF PLANTING PATTERN	BY	DATE
67	FOR REVISION OF PLANTING PATTERN	BY	DATE
68	FOR REVISION OF PLANTING PATTERN	BY	DATE
69	FOR REVISION OF PLANTING PATTERN	BY	DATE
70	FOR REVISION OF PLANTING PATTERN	BY	DATE
71	FOR REVISION OF PLANTING PATTERN	BY	DATE
72	FOR REVISION OF PLANTING PATTERN	BY	DATE
73	FOR REVISION OF PLANTING PATTERN	BY	DATE
74	FOR REVISION OF PLANTING PATTERN	BY	DATE
75	FOR REVISION OF PLANTING PATTERN	BY	DATE
76	FOR REVISION OF PLANTING PATTERN	BY	DATE
77	FOR REVISION OF PLANTING PATTERN	BY	DATE
78	FOR REVISION OF PLANTING PATTERN	BY	DATE
79	FOR REVISION OF PLANTING PATTERN	BY	DATE
80	FOR REVISION OF PLANTING PATTERN	BY	DATE
81	FOR REVISION OF PLANTING PATTERN	BY	DATE
82	FOR REVISION OF PLANTING PATTERN	BY	DATE
83	FOR REVISION OF PLANTING PATTERN	BY	DATE
84	FOR REVISION OF PLANTING PATTERN	BY	DATE
85	FOR REVISION OF PLANTING PATTERN	BY	DATE
86	FOR REVISION OF PLANTING PATTERN	BY	DATE
87	FOR REVISION OF PLANTING PATTERN	BY	DATE
88	FOR REVISION OF PLANTING PATTERN	BY	DATE
89	FOR REVISION OF PLANTING PATTERN	BY	DATE
90	FOR REVISION OF PLANTING PATTERN	BY	DATE
91	FOR REVISION OF PLANTING PATTERN	BY	DATE
92	FOR REVISION OF PLANTING PATTERN	BY	DATE
93	FOR REVISION OF PLANTING PATTERN	BY	DATE
94	FOR REVISION OF PLANTING PATTERN	BY	DATE
95	FOR REVISION OF PLANTING PATTERN	BY	DATE
96	FOR REVISION OF PLANTING PATTERN	BY	DATE
97	FOR REVISION OF PLANTING PATTERN	BY	DATE
98	FOR REVISION OF PLANTING PATTERN	BY	DATE
99	FOR REVISION OF PLANTING PATTERN	BY	DATE
100	FOR REVISION OF PLANTING PATTERN	BY	DATE

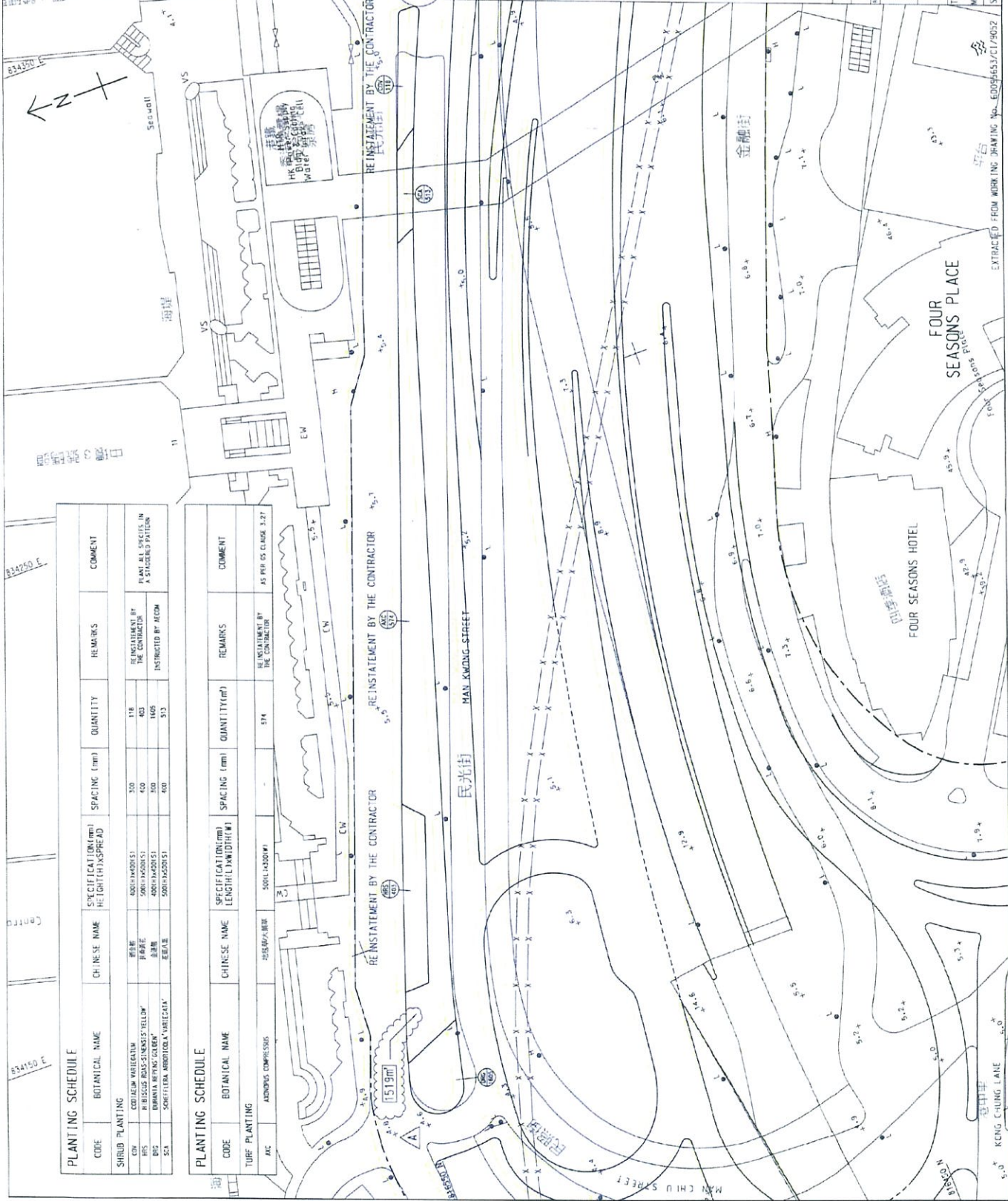
AECOM

CENTRAL - WAN CHAI BYPASS AND REC LINK  
CENTRAL INTERCHANGE

TITLE:  
REINSTATEMENT AND SHRUB PLANTING AT  
MAN KWING STREET CENTRAL DIVISION PLANTER  
SKETCH NO. 60095653/CT/5K148A (1/2003)

PLANTING SCHEDULE							
CODE	BOTANICAL NAME	CHINESE NAME	SPECIFICATION (mm) HEIGHT x SPREAD	SPACING (mm)	QUANTITY	REMARKS	COMMENT
<b>SHRUB PLANTING</b>							
CW	CORDYLINE VARIETALIS	耳耳草	500H x 200S	300	118	REINSTATEMENT BY THE CONTRACTOR	PLANT ALL SPECIES IN A STAGGERED PATTERN
HS	HEBE BICOLOR	蘇州黃楊	500H x 200S	400	403	REINSTATEMENT BY THE CONTRACTOR	
ES	EREBIA	耳耳草	500H x 200S	300	1605	REINSTATEMENT BY THE CONTRACTOR	
SL	SORBUS	山欖樹	500H x 200S	400	513	REINSTATEMENT BY THE CONTRACTOR	

PLANTING SCHEDULE							
CODE	BOTANICAL NAME	CHINESE NAME	SPECIFICATION (mm) LENGTH x WIDTH	SPACING (mm)	QUANTITY (m <sup>2</sup> )	REMARKS	COMMENT
<b>TUBE PLANTING</b>							
AX	ANDROMEDA	海欖樹	500L x 200W	300	574	REINSTATEMENT BY THE CONTRACTOR	AS PER DS CLAUSE 3.27



EXTRACTED FROM WORKING DRAWING No. E0095653/CT/9052

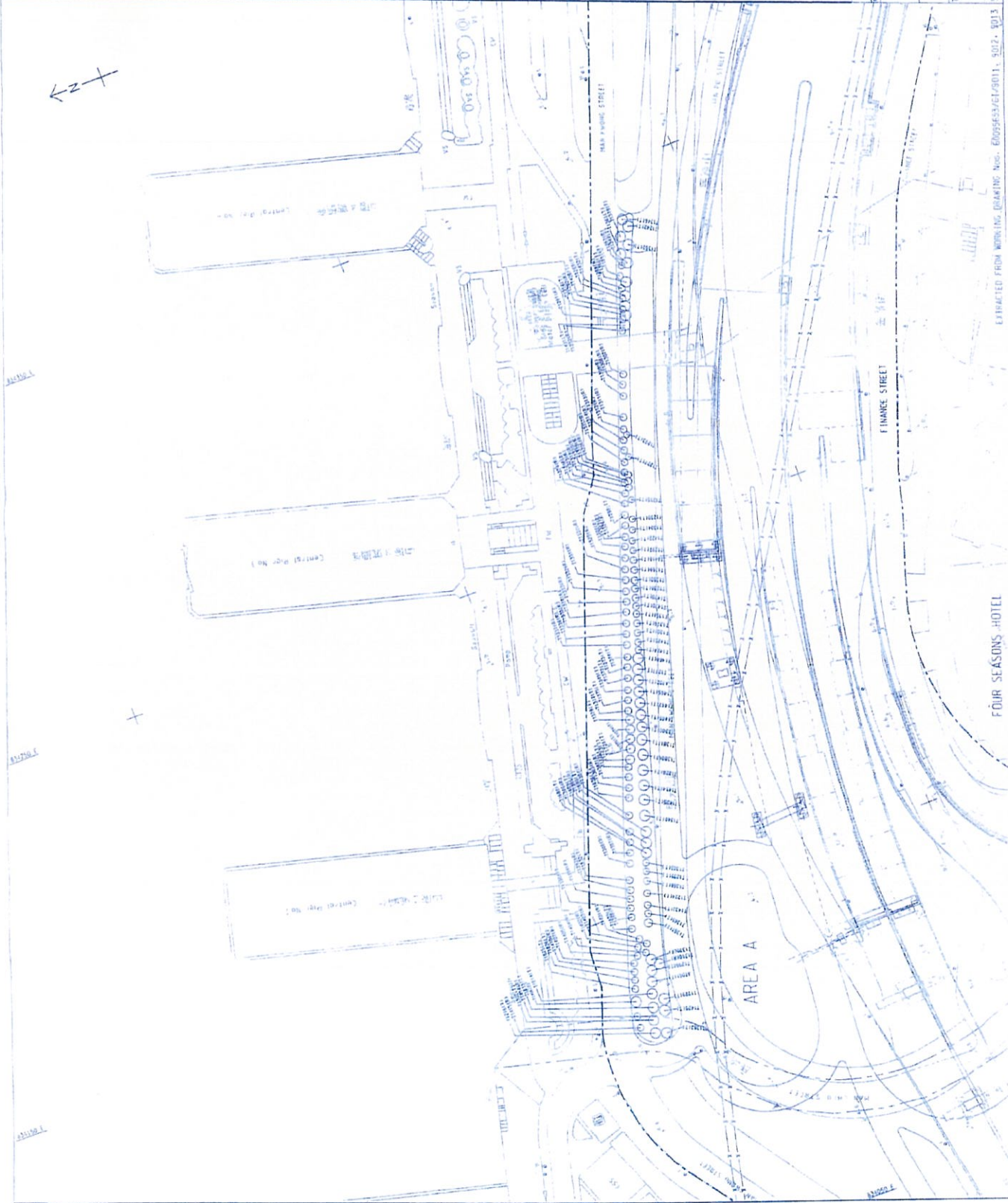




KEY PLAN

LEGEND:

- SITE BOUNDARY
- TREE TO BE RETAINED
- TREE TO BE TRANSPLANTED
- TREE AFTER CONSTRUCTION WORKS



FOUR SEASONS HOTEL

EXTRACTED FROM WORKING DRAWING NO. 600563/61/2011 - 9012 - 0013 SECTION NO. 600563/61/2011

FOR CONSTRUCTION		DATE	
NO.	DATE	NO.	DATE

**AECOM**

CENTRAL - WAH CHAI BYPASS AND REC LINK  
CENTRAL INTERCHANGE

TITLE: TREE PLANTING PLAN AT MAX PARKING STREET  
PLANTER NEAR CENTRAL PIER NO. 2 & 3

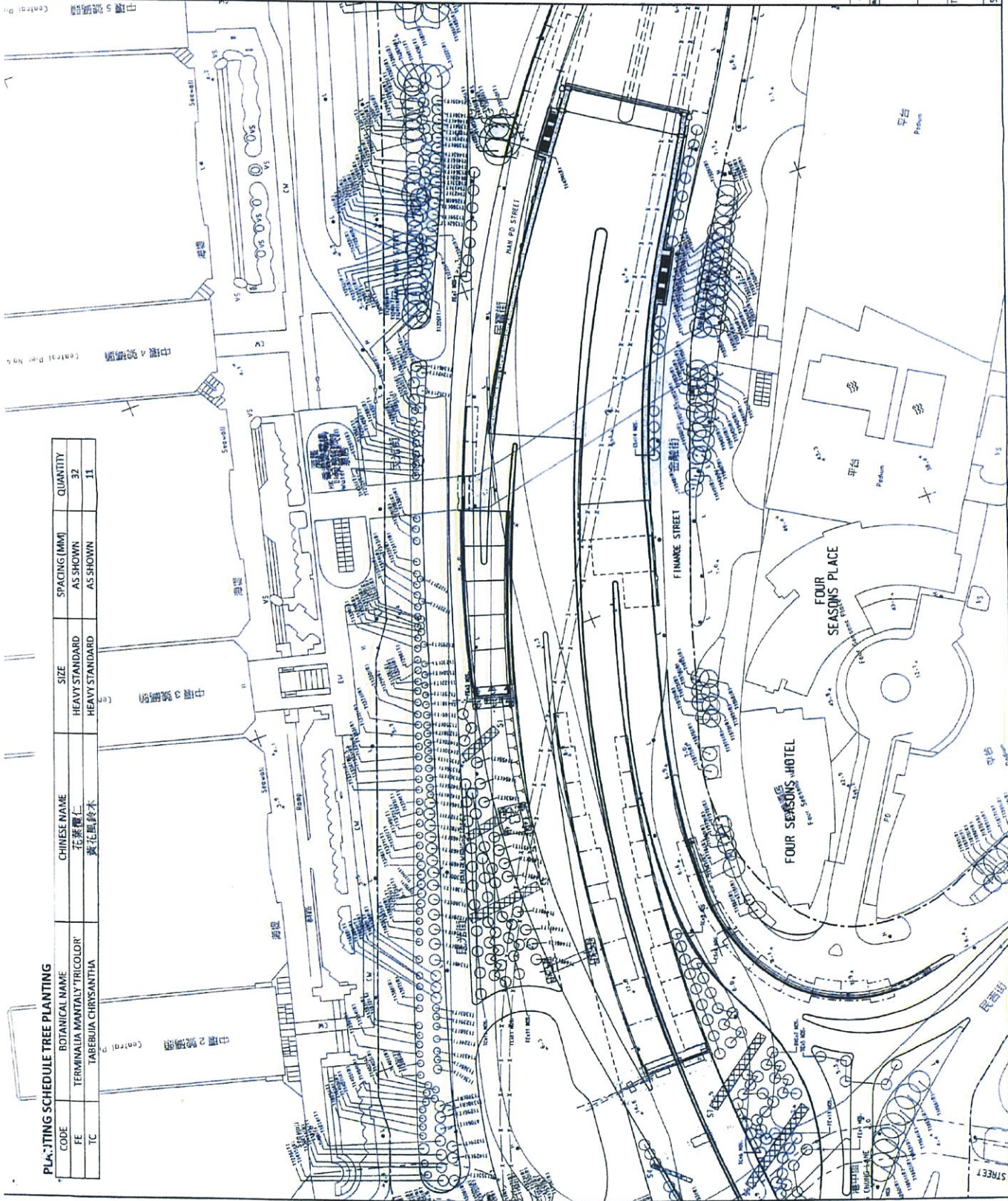
SCALE: 1:500



**PLANTING SCHEDULE TREE PLANTING**

CODE	BOTANICAL NAME	CHINESE NAME	SIZE	SPACING (MM)	QUANTITY
FE	TERMINALIA MANTALI 'TRICOLOR'	花葉蘭仁	HEAVY STANDARD	AS SHOWN	32
TC	TABERBUJA CHRYSANTHA	黃花風鈴木	HEAVY STANDARD	AS SHOWN	11

**NOTE:**  
 1. ALL PLANTING SHALL BE DONE IN CONFORMANCE WITH THE LATEST VERSIONS OF THE HONG KONG PLANNING DEPARTMENT'S PLANNING ORDINANCE AND REGULATIONS.  
**LEGEND:**  
 - - - - - SITE BOUNDARY  
 ○ (114278) EXISTING TREE TO BE RETAINED  
 ○ (114278) PROPOSED TREE PLANTING  
 ○ (114278) FINAL LOCATION OF TRANSPLANTED TREE AFTER CONSTRUCTION WORKS



DRAWN FOR RECORD ONLY		DATE	BY	CHECKED
DATE	BY	DATE	BY	DATE

**AECOM**

**CENTRAL - WAN CHAI BYPASS AND REG LINK  
 CENTRAL - WAN CHAI BYPASS  
 CENTRAL INTERCHANGE**

**TITLE:**  
 TREE PLANTING PLAN  
 AT PLANTER B ALONG MAN PO STREET

**SKETCH NO.:** 60955653/CI/SK1178

Scale: 1:1000



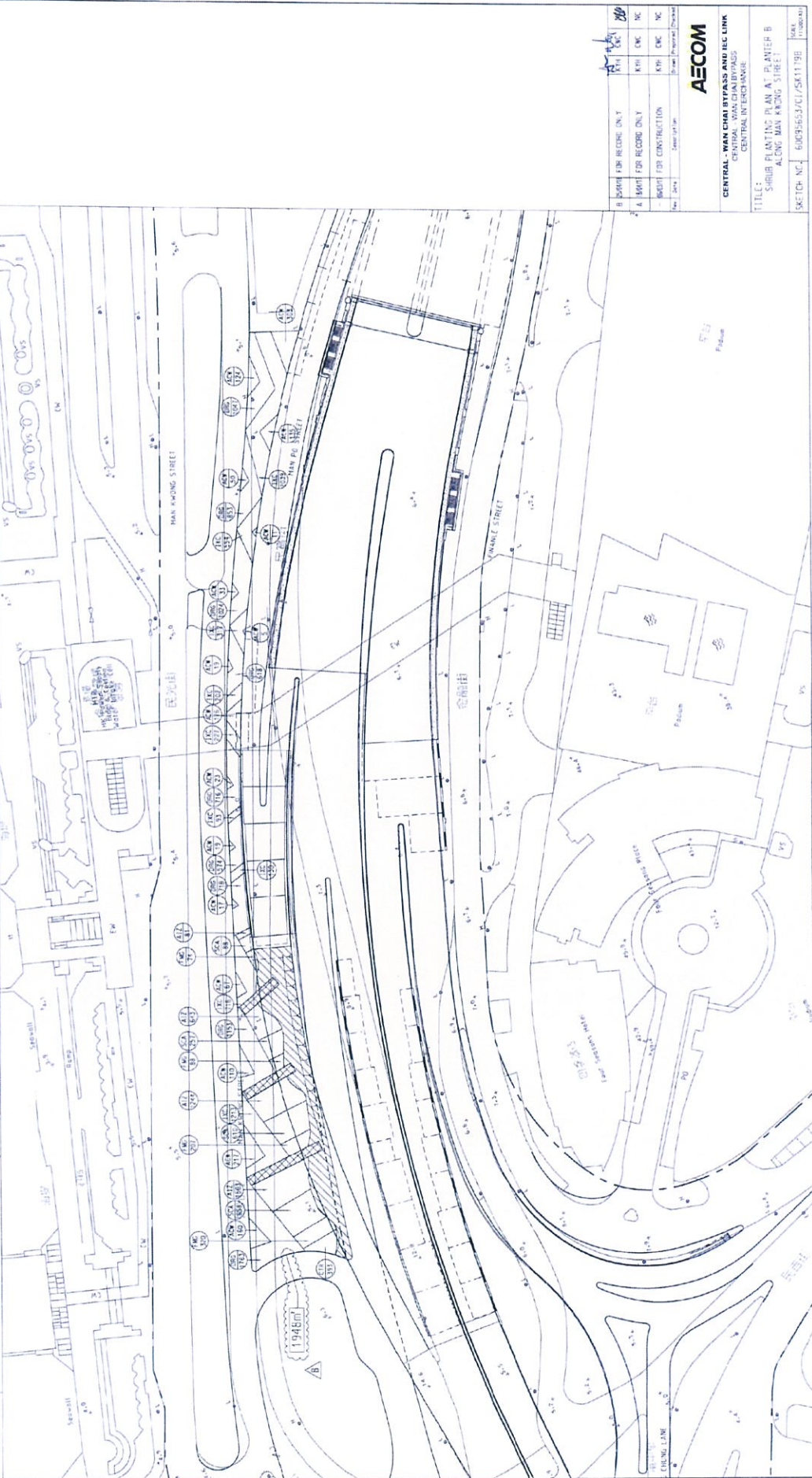
PLANTING SCHEDULE

CODE	BOTANICAL NAME	CHINESE NAME	SPECIFICATION (mm) HEIGHT (H) x SPREAD	SPACING (mm)	QUANTITY	COMMENT
SHRUB PLANTING						
ACW	ACALYPHA WILKESIANA 'TRICOLOR'	五彩大葉紅桑	500(H)x500(S)	400	1469	PLANT ALL SPECIES IN A STAGGERED PATTERN
ALZ	ALPHEA ZERUBELI 'VINTH-GALIA'	花葉野山薑	400(H)x400(S)	300	3471	
CTR	CUDRATA TERMINALIS 'RUBRA'	朱槿	500(H)x400(S)	300	353	
DRG	DURANTA REPENS 'GOLDEN'	金蓮花	400(H)x400(S)	300	8469	
FMG	FICUS MICROCARPA 'GOLDEN LEAF'	黃榕	500(H)x500(S)	400	685	
LYC	LYRA COCCINEA 'LUTEA'	黃花銀柳花	400(H)x400(S)	300	5493	
SCA	SCHIEFLERA ARBORICOLA 'VARIEGATA'	花葉八寶	500(H)x500(S)	400	1613	

**NOTE:**  
1. THIS DRAWING SHALL BE READ IN CONJUNCTION WITH SPEC. NO. 6093353/17/001.

**LEGEND:**

- SITE BOUNDARY
- LANDSCAPE FEATURE AND LIGHTING DETAILS REFER TO SPEC. NO. 6093353/17/001 AND 6093353/17/002
- STONE FACING FINISHING
- SYMBOL CODE
- QUANTITY



REVISION	DATE	DESCRIPTION	BY	CHECKED
1	2018/11/08	FOR RECORD ONLY	KTH	ENC
2	2018/11/08	FOR RECORD ONLY	KTH	ENC
3	2018/11/08	FOR CONSTRUCTION	KTH	ENC
4	2018/11/08	FOR CONSTRUCTION	KTH	ENC

Prepared: [Signature]  
Checked: [Signature]

**AECOM**

CENTRAL - WAN CHAI BYPASS AND INC LINK  
CENTRAL - WANG CHAI BYPASS

TITLE: SHRUB PLANTING PLAN A + PLANTER B  
ALONG MAN KWONG STREET

SKETCH NO: 6093553/17/001/5811798



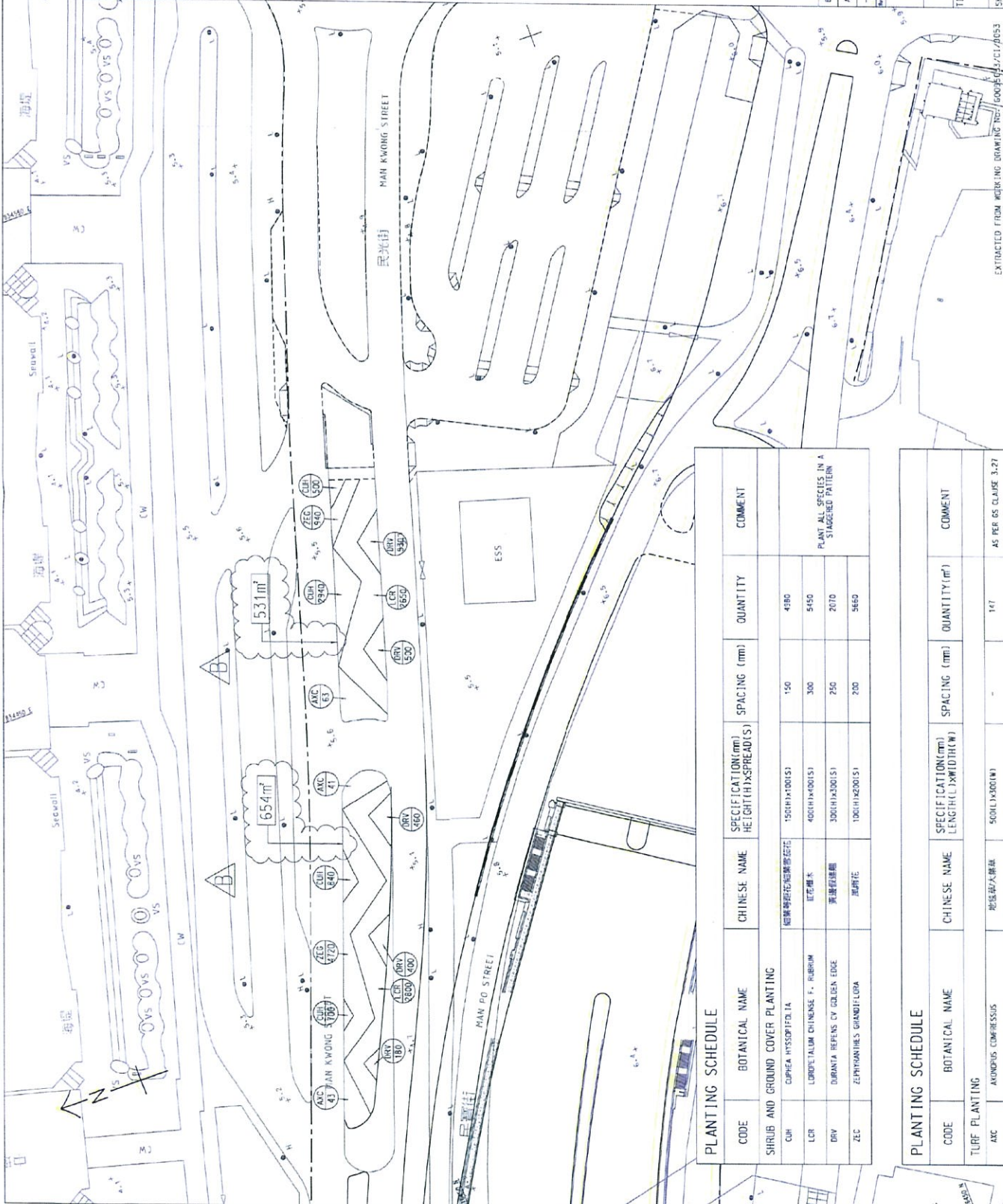


KEY PLAN

NOTE:  
1. FOR NOTES AND LEGEND, SEE DRG. NO. 60095653/CI/7/05/1.

LEGEND:

- SHRUB CODE
- QUANTITY
- TURF CODE
- QUANTITY



PLANTING SCHEDULE

CODE	BOTANICAL NAME	CHINESE NAME	SPECIFICATION (mm) HEIGHT X SPREAD (S)	SPACING (mm)	QUANTITY	COMMENT
CUH	CORPHEA HYSSOPIFOLIA	細葉海欖花	150(H) X 100(S)	150	4380	PLANT ALL SPECIES IN A STAGGERED PATTERN
LCR	LORPETAJUM CHINENSE F. RUBRUM	紅花欄木	400(H) X 400(S)	300	5450	
DRV	DURANTA REPENS CV GOLDEN EDGE	紫羅蘭藤	300(H) X 200(S)	250	2070	
ZEC	ZEPHYRANTHES GRANDIFLORA	鳳仙花	100(H) X 200(S)	200	5660	

PLANTING SCHEDULE

CODE	BOTANICAL NAME	CHINESE NAME	SPECIFICATION (mm) LENGTH X WIDTH (W)	SPACING (mm)	QUANTITY (m <sup>2</sup> )	COMMENT
TURF PLANTING						
A/C	AKONDIUS COMPLEXISSUS	地盤草	500(L) X 300(W)	-	147	AS PER DS CLAUSE 3-27

B	BOOKS FOR RECORD ONLY	HTH	HTH	HTH	HTH
A	APPROVE FOR CONSTRUCTION	CLL	HTH	HTH	HTH
-	APPROVE FOR CONSTRUCTION	CLL	HTH	HTH	HTH
Drawn	Checked	Drawn	Checked	Drawn	Checked

**AECOM**

CENTRAL - WAN CHAI BYPASS AND IEC LINK  
CENTRAL - WAN CHAI BYPASS  
CENTRAL INTERCHANGE

TITLE: LANDSCAPE PLANNING PLAN A1  
WAN KWONG STREET PLANTERS

SKETCH NO: 60095653/CI/SK106/36

EXTRACTED FROM WORKING DRAWING NO: 60095653/CI/7/05/3



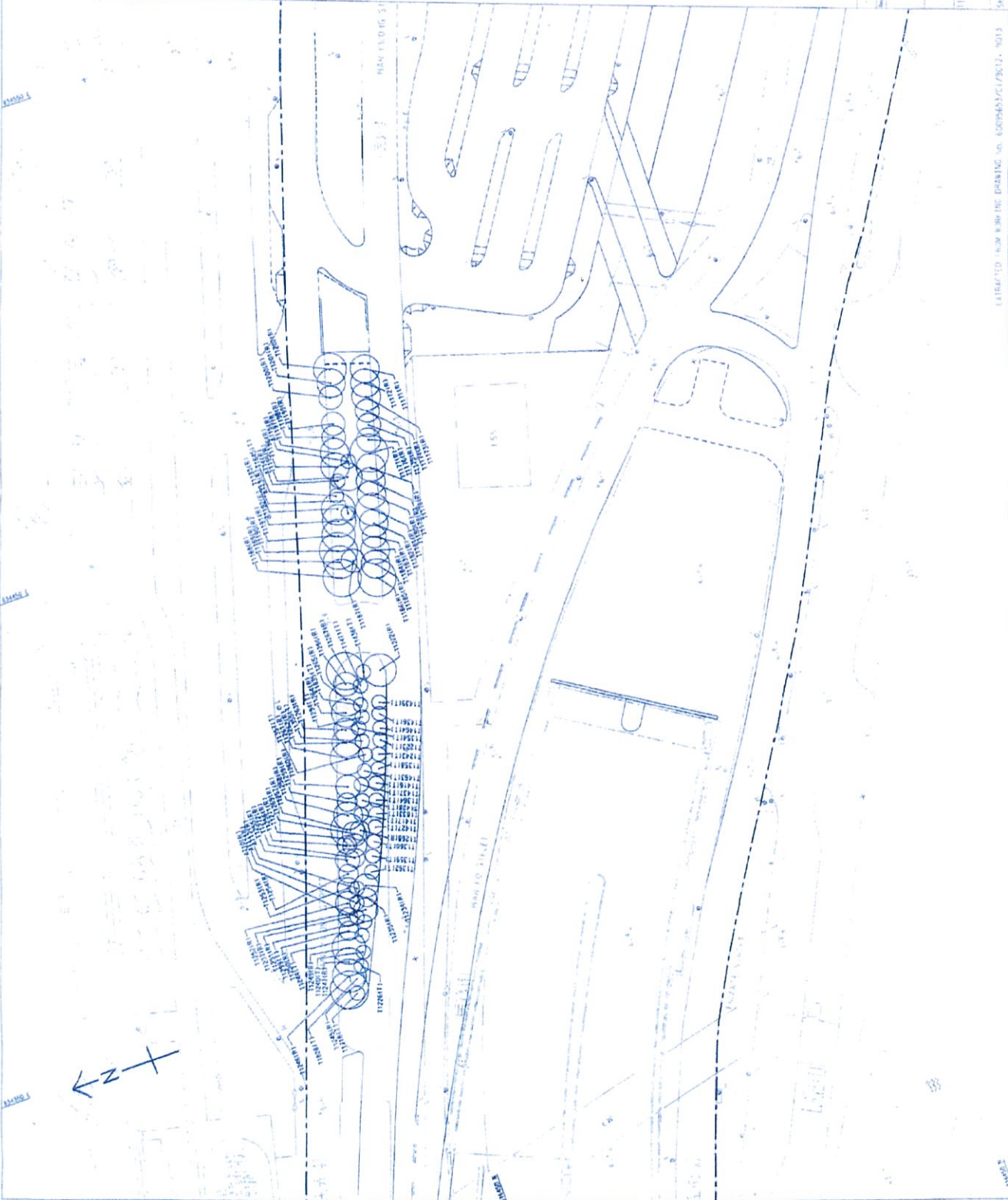
**KEY PLAN**

**NOTE:**

1. THIS DRAWING SHALL BE READ IN CONJUNCTION WITH DRAWING NO. 60096653/G179011 TO 9013.

**LEGEND:**

- SITE BOUNDARY
- T1188(R) EXISTING TREE TO BE RETAINED
- T1436(T) FINAL LOCATION OF TRANSPLANTED TREE AFTER CONSTRUCTION WORKS



REVISION FOR CONSTRUCTION	DATE	BY	CHKD BY

**AECOM**

**CENTRAL - WAN CHAI BYPASS AND EC LINK**  
CENTRAL WAN CHAI BYPASS  
CENTRAL INTERCHANGE

**TITLE:** TREE & PLANTING PLAN  
MAN 153.0 IG. ST PLANTERS

**SHEET NO:** 60096653/G179011

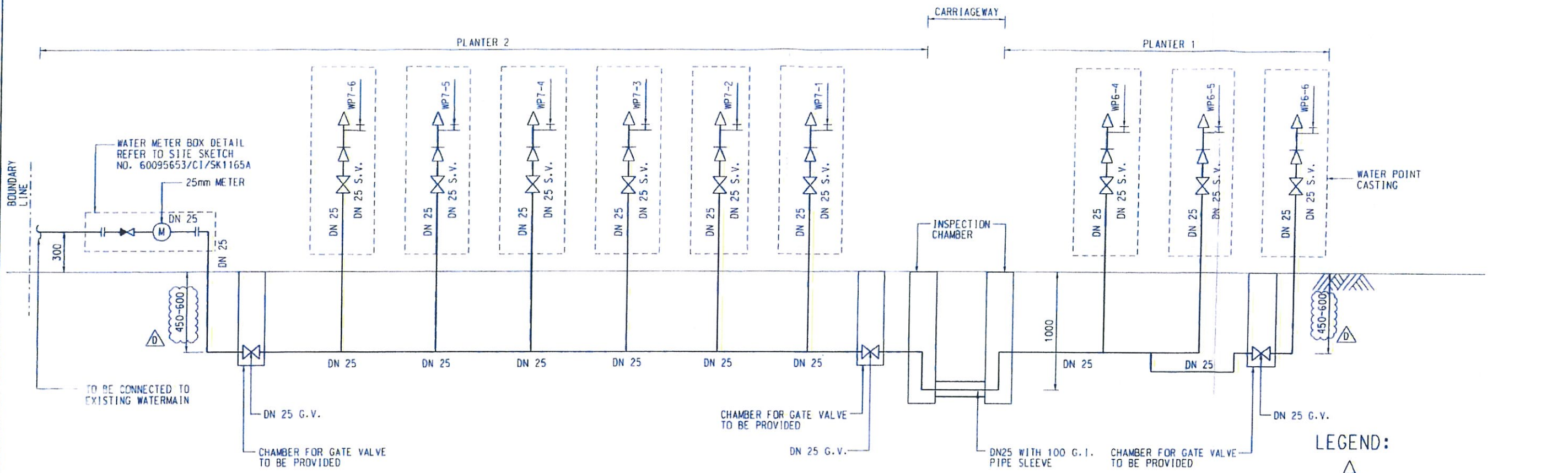
EXTRACTED FROM WORKING DRAWING NO. 60096653/G179011 TO 9013

## **Annex B**

# **Drawings of Irrigation System**

---





SYSTEM WP7-1 TO WP7-6 AND WP6-4 TO WP6-6  
 (IRRIGATION SYSTEM AT PLANTERS BETWEEN MAN KWONG STREET AND MAN PO STREET NEAR ESS)

- LEGEND:**
- WATER POINT
  - NEW POLYETHYLENE (PE) PIPE TO BS ISO 4427 AND BS EN 12201
  - NEW WATER METER
  - NEW GATE VALVE
  - NEW LOOSE JUMPER TYPE STOP COCK
  - ANTI-VACUUM VALVE
  - REMOVABLE KEY AND WATER TAP
  - COPPER PIPE TO BS EN 1057 R250
  - NON-RETURN VALVE

Rev.	Date	Description	Drawn	Prepared	Checked
D	24/10/17	GENERAL REVISIONS	KYH	SP	BL
C	11/10/17	GENERAL REVISIONS	SYW	NC	NC
B	16/12/16	GENERAL REVISIONS	SY	HYN	NC
A	08/07/16	GENERAL REVISIONS	SY	HYN	NC
-	29/03/16	FOR CONSTRUCTION	SY	CH	NC

- NOTES:**
- THE LOCATION AND ALIGNMENT OF IRRIGATION SYSTEM SHALL REFER TO SITE SKETCH NO. 60095653/CI/SK1032C.
  - DETAILS OF GATE VALVE CHAMBER, WATER METER BOX, IRRIGATION WATER POINT, WATER POINT CASING AND INSPECTION CHAMBER SHALL REFER TO SITE SKETCH NO. 60095653/CI/SK1165A.
  - DN PIPE SIZES REFER TO INTERNAL DIAMETER OF PIPE.

**AECOM**

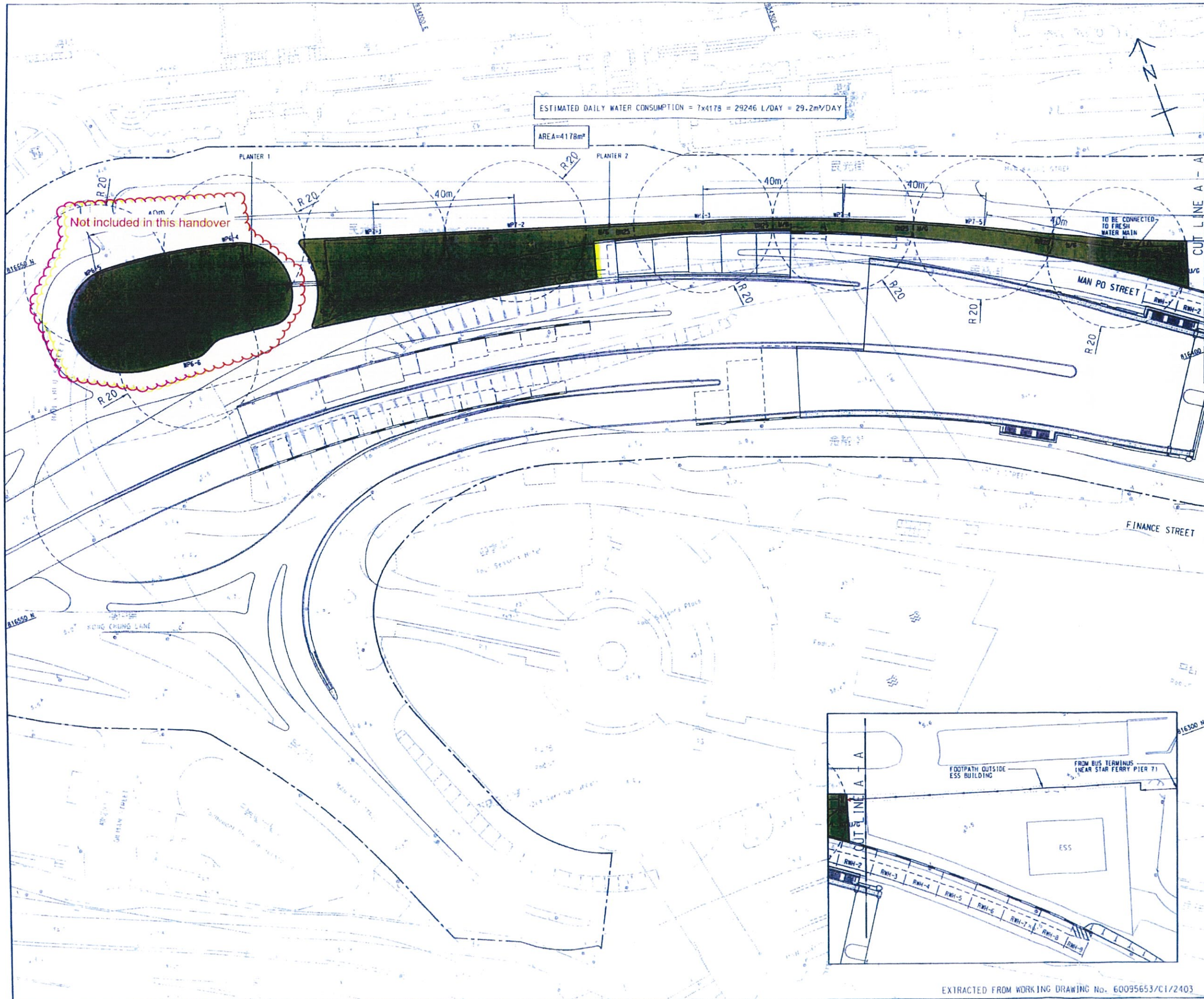
**CENTRAL - WAN CHAI BYPASS AND IEC LINK**  
 CENTRAL - WAN CHAI BYPASS  
 CENTRAL INTERCHANGE

TITLE:  
 VERTICAL PLUMBING LINE DIAGRAMS FOR SYSTEM  
 WP6-4 TO WP6-6 AND WP7-1 TO WP7-6

SKETCH NO. 60095653/CI/SK1034D SCALE N.T.S.

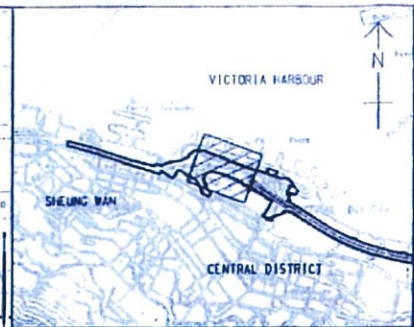
EXTRACTED FROM WORKING DRAWING No. 60095653/CI/2412





ESTIMATED DAILY WATER CONSUMPTION =  $7 \times 4178 = 29246 \text{ L/DAY} = 29.2 \text{ m}^3/\text{DAY}$

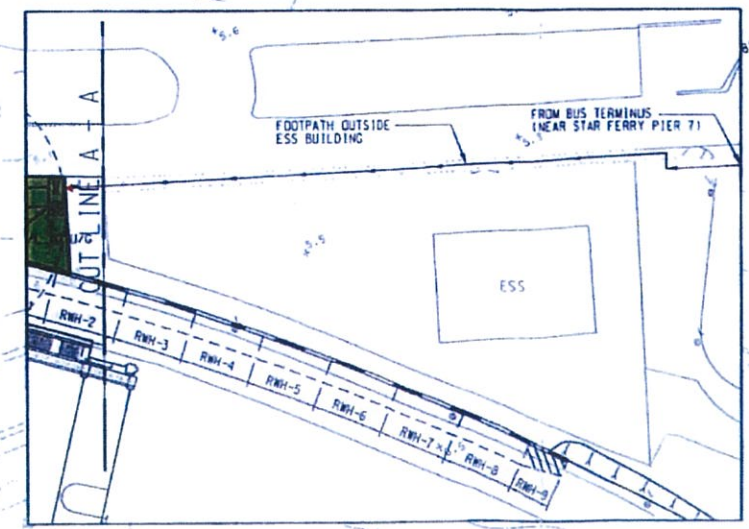
AREA =  $4178 \text{ m}^2$



**KEY PLAN**  
SCALE A1 : 1 : 20000  
A3 : 1 : 40000

- NOTES:**
1. WATER PIPES AND WATER METER BOXES OF IRRIGATION SYSTEM SHALL BE INSTALLED IN PLANTERS.
  2. DETAILS OF GATE VALVE CHAMBER, WATER METER BOX, WATER POINT AND INSPECTION CHAMBER SHALL REFER TO DRG. NO. 60095653/C1/SK1165A.
  3. MINIMUM HORIZONTAL CLEARANCE OF 600mm FROM CARRIAGEWAY SHALL BE PROVIDED FOR ALL FITTINGS ABOVE GROUND.
  4. VERTICAL PLUMBING LINE DIAGRAM SHALL REFER TO DRG. NO. 60095653/C1/SK1034D.
  5. DN PIPE SIZES REFER TO INTERNAL DIAMETER OF PIPE.

- LEGEND:**
- NEW WATER METER BOX FOR IRRIGATION
  - NEW POLYETHYLENE (PE) PIPE TO BS 150 4427
  - NEW TAPER
  - SLEEVE PIPE WITH INSPECTION CHAMBERS AT TWO SIDES
  - NEW STOP VALVE
  - FOOTPATH
  - AMENITY AREA
  - CARRIAGEWAY
  - EXISTING WATERPOINT
  - EXISTING WATERPOINT TO BE DEMOLISHED
  - NEW LOOSE JUMPER TYPE STOP COCK
  - NEW WATERPOINT
  - IRRIGATION POINT COVERING AREA
  - UNDERGROUND
  - LOWER LEVEL



Rev.	Date	Description	Drawn	Prepared	Checked
C	24/10/17	GENERAL REVISIONS	KYH	HYN	CLL
B	26/12/16	GENERAL REVISIONS	SY	HYN	NC
A	26/08/16	REVISED AS CLOUDED	SY	HYN	NC
-	29/03/16	FOR INFORMATION	CLL	CH	NC

**AECOM**

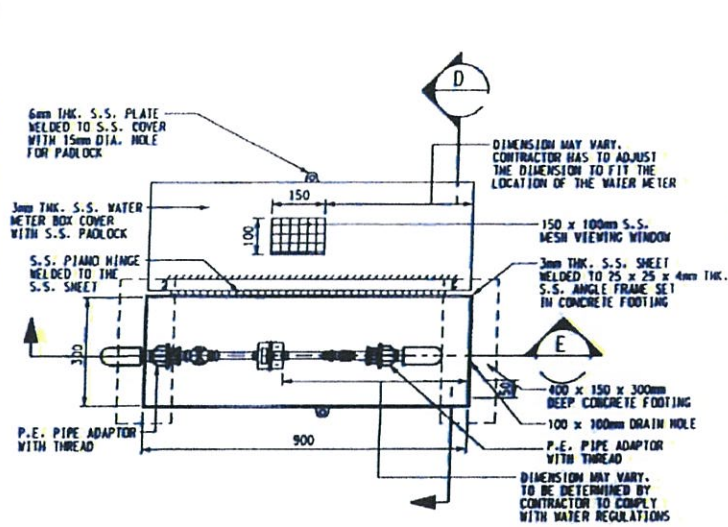
**CENTRAL - WAN CHAI BYPASS AND IEC LINK**  
CENTRAL - WAN CHAI BYPASS  
CENTRAL INTERCHANGE

TITLE:  
LAYOUT PLAN FOR IRRIGATION WATER POINT  
6-4 TO 6-6 AND 7-1 TO 7-6

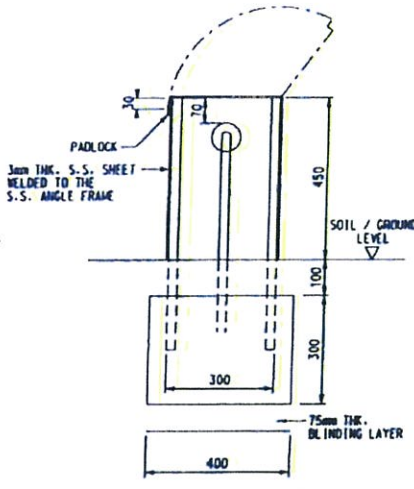
EXTRACTED FROM WORKING DRAWING No. 60095653/C1/2403

SKETCH NO. 60095653/C1/SK1032C SCALE 1:1000(A3)

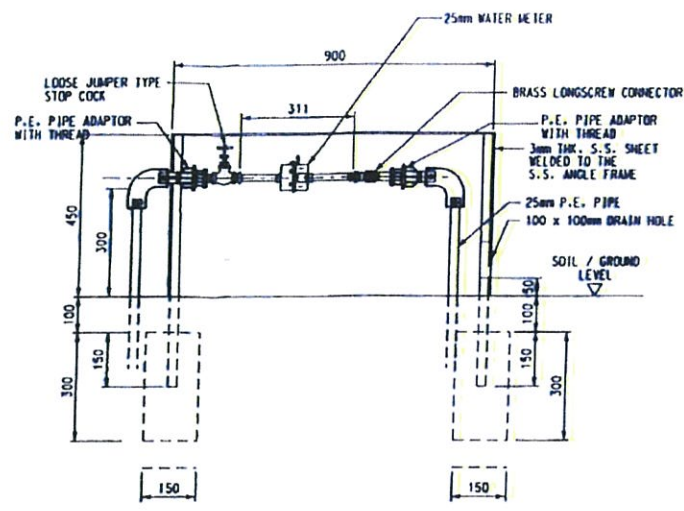




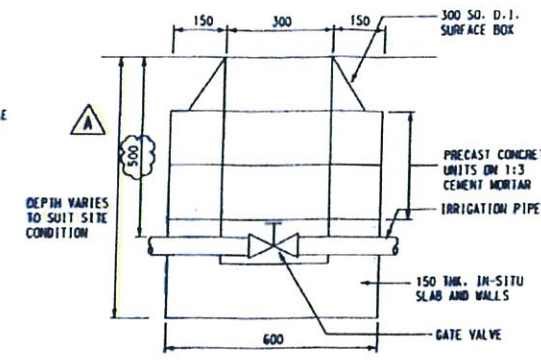
PLAN OF WATER METER BOX  
SCALE 1:10



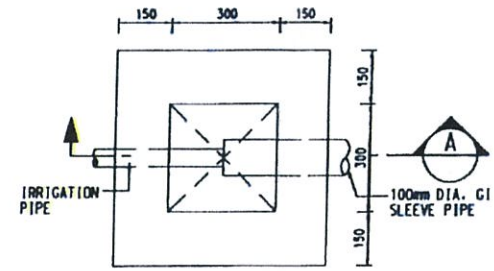
SECTION D  
SCALE 1:10



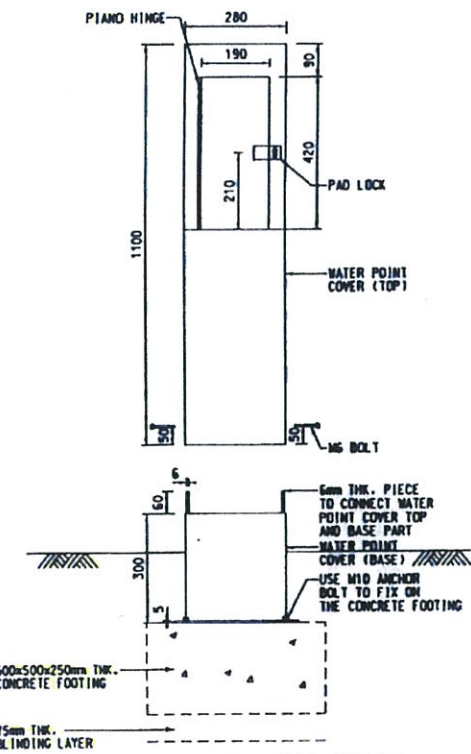
SECTION E  
SCALE NTS



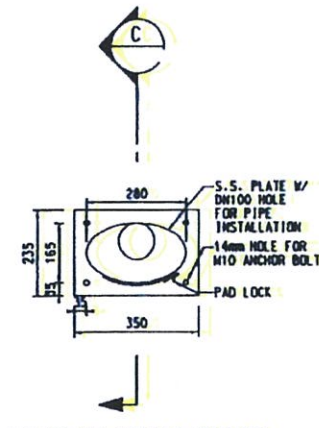
VALVE COVER BOXES  
SCALE 1:10



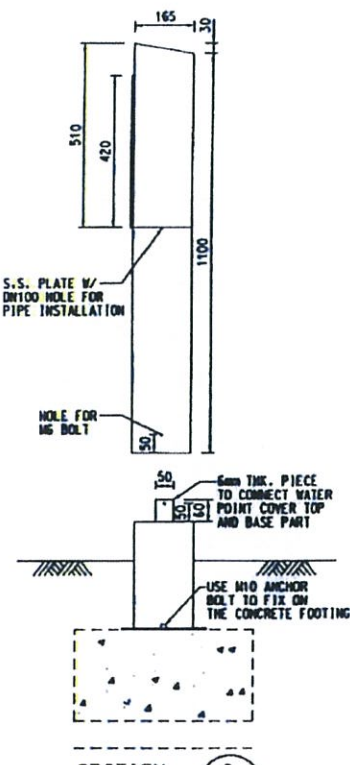
PLAN OF INSPECTION CHAMBER DETAIL  
SCALE 1:10



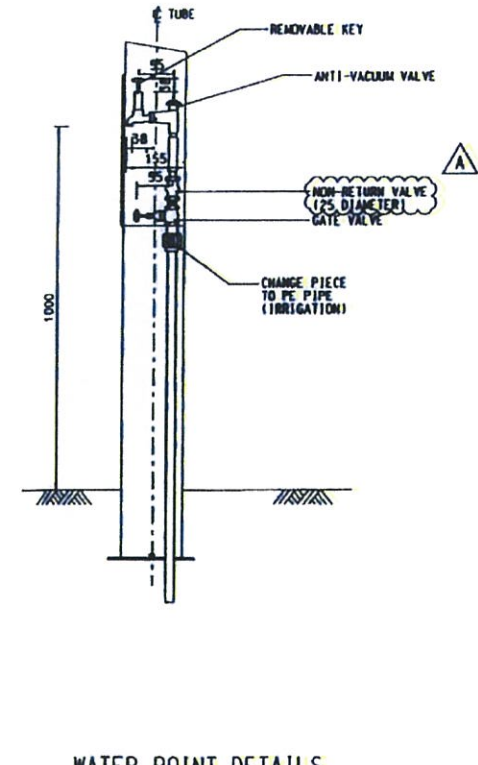
ELEVATION OF WATER POINT  
SCALE 1:10



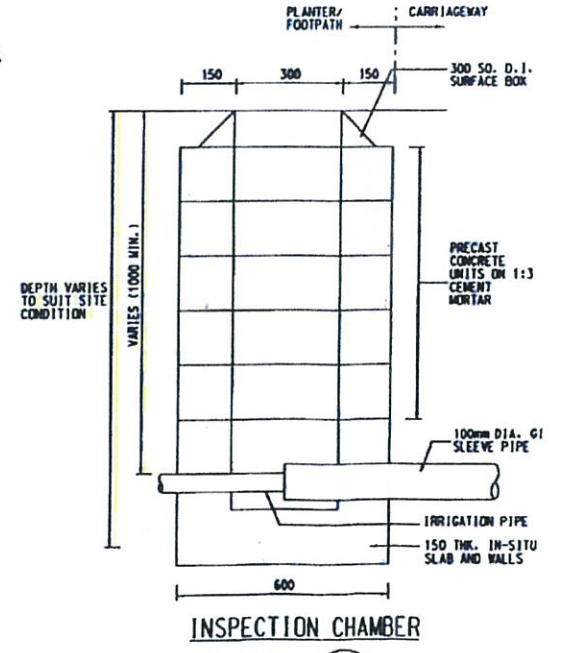
PLAN OF WATER POINT  
SCALE 1:10



SECTION C  
SCALE 1:10



WATER POINT DETAILS  
SCALE 1:10



INSPECTION CHAMBER  
SCALE 1:10

- NOTES :
1. ALL DIMENSIONS ARE IN MILLIMETRES.
  2. FOR DETAILS OF 300 SO. D.I. SURFACE BOX REFER TO WSD STANDARD DRAWING NO. WSD 7.47C.
  3. FOR DETAILS OF PRECAST CONCRETE UNITS REFER TO DRAWING NO. WSD 1.7E.
  4. GRADE OF CONCRETE SHALL BE 30/200 UNLESS OTHERWISE SPECIFIED.
  5. EXACT LOCATION OF WATER POINT TO BE DETERMINED ON SITE.
  6. GRADE OF STAINLESS STEEL SHALL BE 304 UNLESS OTHERWISE SPECIFIED.

Rev.	Date	Description	Drawn	Prepared	Checked
A	15/01/11	FOR CONSTRUCTION	SYV	HYH	NC
B	16/01/11	FOR CONSTRUCTION	SY	HYH	NC

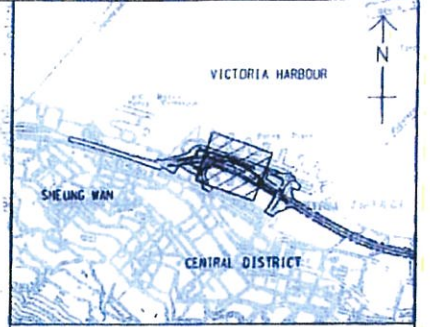
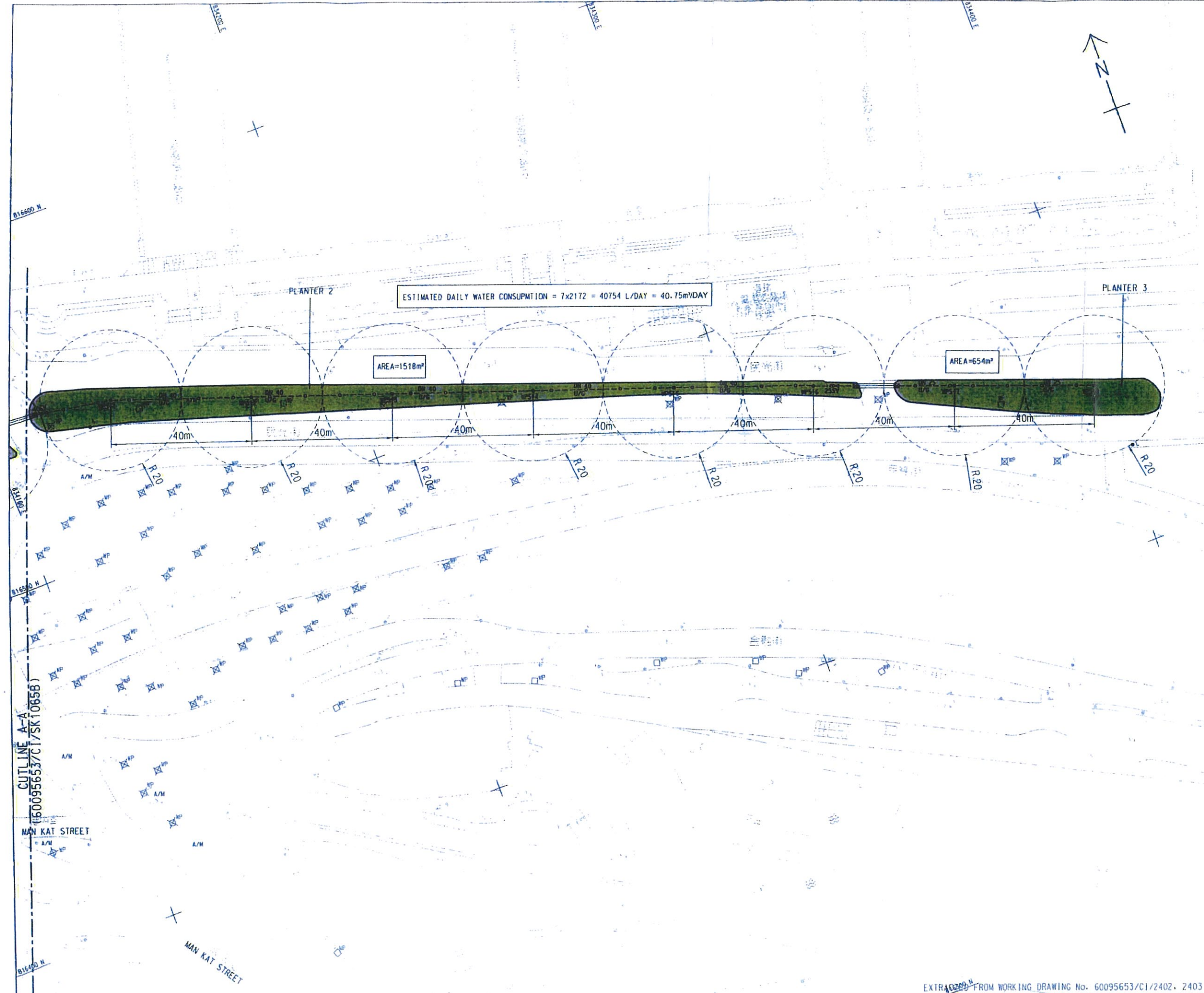
**AECOM**

CENTRAL - WAN CHAI BYPASS AND REC LINK  
CENTRAL - WAN CHAI BYPASS  
CENTRAL INTERCHANGE

TITLE:  
IRRIGATION SYSTEM MISCELLANEOUS DETAILS

SKETCH NO. 60095653/C1/SK1165A SCALE AT AS SHOWN





KEY PLAN  
 SCALE A1 : 20000  
 A3 : 40000

- NOTES:
- THIS DRAWING TO BE READ IN CONJUNCTION WITH DRAWING NOS. 60095653/C1/SK1065C.
  - ALL NOTES AND LEGEND, PLEASE REFER TO DRG. NO. 60095653/C1/SK1065C.

CUTLINE A-A  
 (60095653/C1/SK1065B)

MAN KAT STREET

MAN KAT STREET

B	14/10/11	GENERAL REVISIONS	KYH	JES	AL
A	03/12/11	FOR INFORMATION	SY	HYN	NC
-	21/05/11	FOR INFORMATION	SY	HYN	NC
Rev.	Date	Description	Drawn	Prepared	Checked

**AECOM**

CENTRAL - WAN CHAI BYPASS AND IEC LINK  
 CENTRAL - WAN CHAI BYPASS  
 CENTRAL INTERCHANGE

TITLE:  
 LAYOUT PLAN FOR IRRIGATION SYSTEM  
 AT MAN KWONG STREET

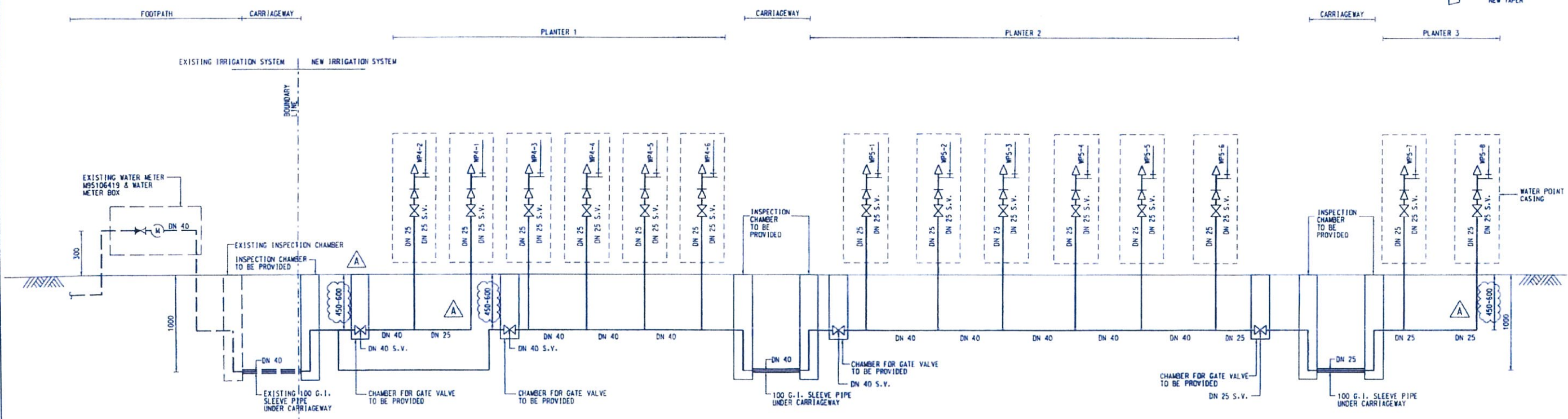
EXTRACTED FROM WORKING DRAWING No. 60095653/C1/2402, 2403

SKETCH NO. 60095653/C1/SK1069B SCALE 1:1000(A3)



- NOTES:**
1. THE LOCATION AND ALIGNMENT OF IRRIGATION SYSTEM SHALL REFER TO SITE SKETCH NO. 60095653/C1/SK10622 AND SK10698.
  2. DETAILS OF GATE VALVE CHAMBER, WATER METER BOX, IRRIGATION WATER POINT, WATER POINT CASING AND INSPECTION CHAMBER SHALL REFER TO SITE SKETCH NO. 60095653/C1/SK11428.
  3. DN PIPE SIZES REFER TO INTERNAL DIAMETER OF PIPE.

- LEGEND:**
- WATER POINT
  - NEW POLYETHYLENE (PE) PIPE TO BS 1501 4427 AND BS EN 12201
  - EXISTING WATER METER
  - STOP VALVE
  - NEW LOOSE JUMPER TYPE STOP COCK
  - ANTI-VACUUM VALVE
  - REMOVABLE KEY AND WATER TAP
  - NON-RETURN VALVE
  - NEW TAPER



VERTICAL PLUMBING LINE DIAGRAM FOR WP4-1 TO WP4-6 AND WP5-1 TO WP5-8  
(IRRIGATION SYSTEM AT MAN KWONG STREET PLANTERS)

Rev.	Date	Description	Drawn	Prepared	Checked
A	24/10/17	GENERAL REVISIONS	HYH	sp	lue
-	17/11/16	FOR CONSTRUCTION	SY	HYN	NC

**AECOM**

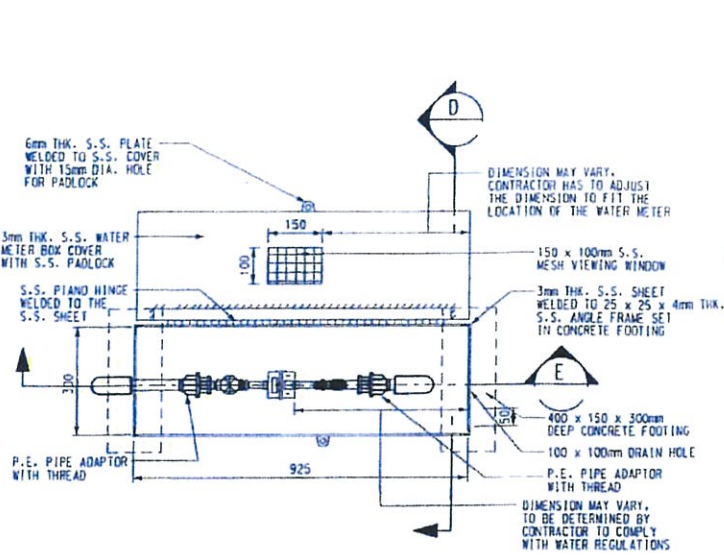
CENTRAL - WAN CHAI BYPASS AND IEC LINK  
CENTRAL - WAN CHAI BYPASS  
CENTRAL INTERCHANGE

TITLE:  
VERTICAL PLUMBING LINE DIAGRAMS FOR  
MAN KWONG STREET PLANTERS  
WP4-1 TO WP4-6 AND WP5-1 TO WP5-8

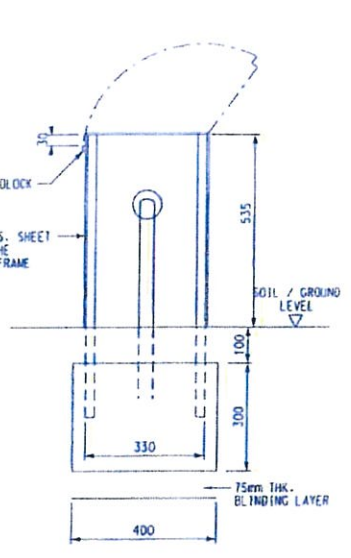
SKETCH NO. 60095653/C1/SK1153A SCALE N.T.S.

EXTRACTED FROM WORKING DRAWING No. 60095653/C1/2411

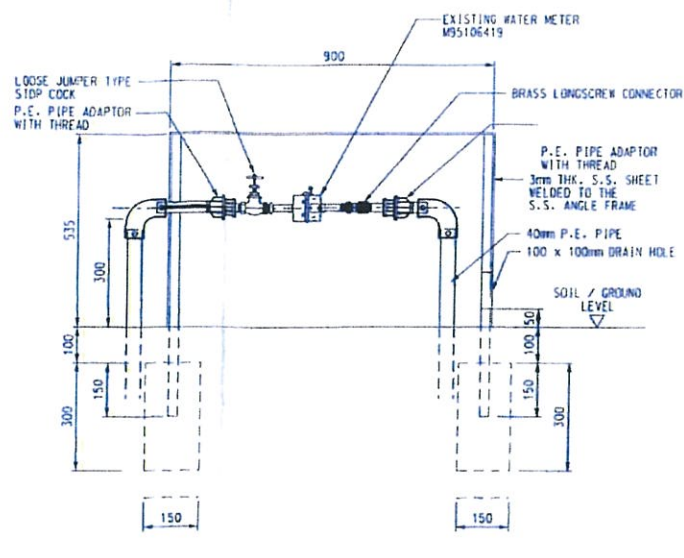




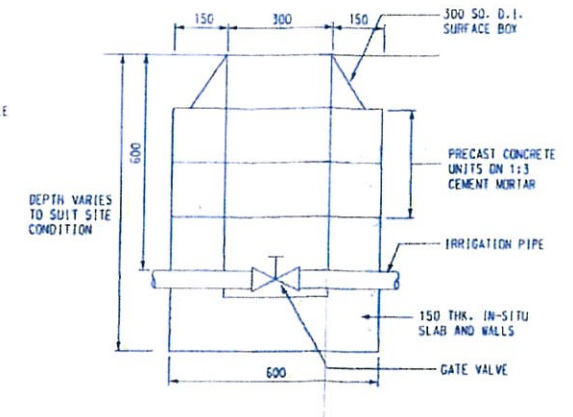
PLAN OF EXISTING WATER METER BOX  
SCALE 1:20



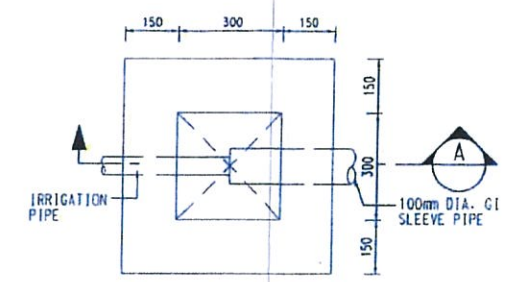
SECTION D  
SCALE 1:20



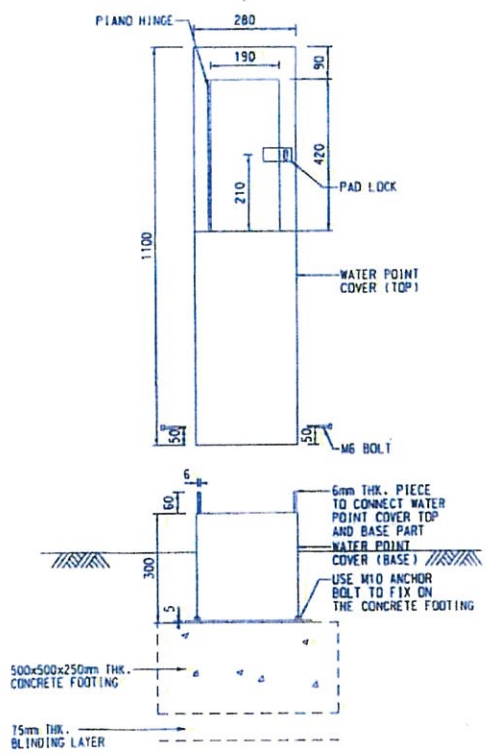
SECTION E  
SCALE NTS



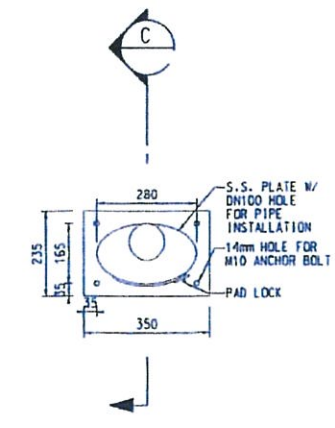
VALVE COVER BOXES  
SCALE 1:20



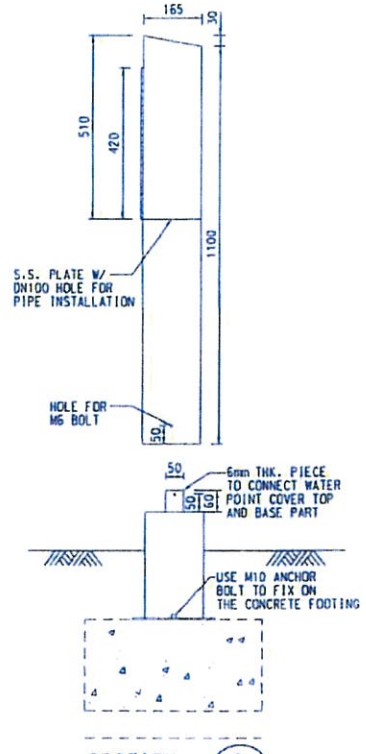
PLAN OF INSPECTION CHAMBER DETAIL  
SCALE: 1:10



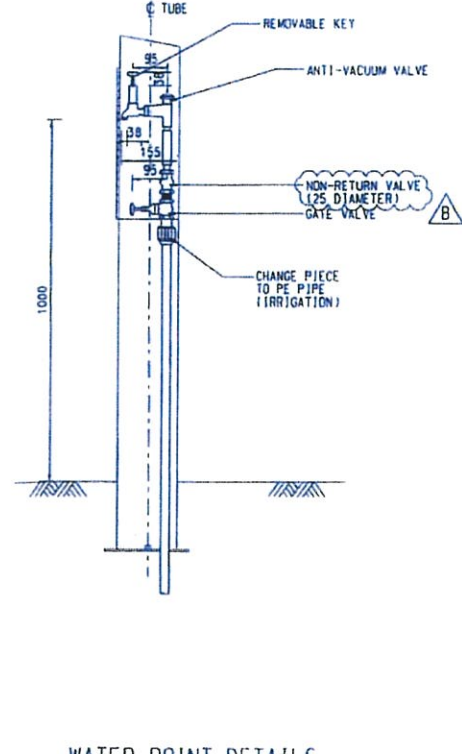
ELEVATION OF WATER POINT  
SCALE 1:20



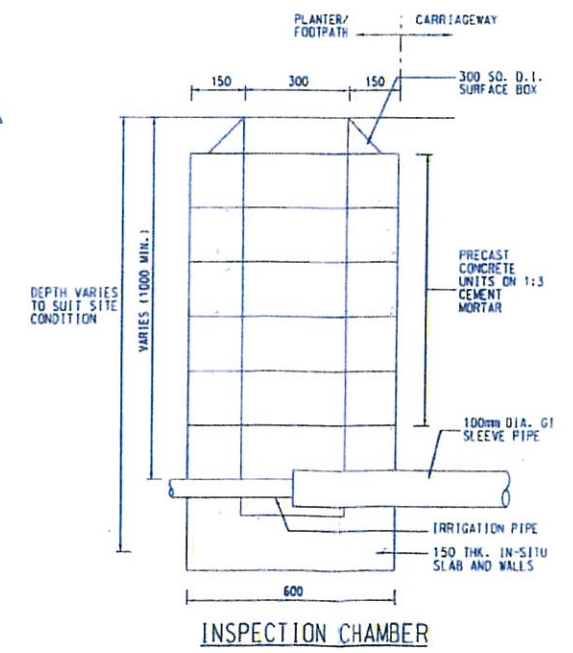
PLAN OF WATER POINT  
SCALE 1:20



SECTION C  
SCALE 1:20



WATER POINT DETAILS  
SCALE 1:20



INSPECTION CHAMBER  
SECTION A  
SCALE 1:20

- NOTES :
1. ALL DIMENSIONS ARE IN MILLIMETRES.
  2. FOR DETAILS OF 300 SO. D. I. SURFACE BOX REFER TO WSD STANDARD DRAWING NO. WSD 7.47C.
  3. FOR DETAILS OF PRECAST CONCRETE UNITS REFER TO DRAWING NO. WSD 1.7E.
  4. GRADE OF CONCRETE SHALL BE 30/200 UNLESS OTHERWISE SPECIFIED.
  5. EXACT LOCATION OF WATER POINT TO BE DETERMINED ON SITE.
  6. GRADE OF STAINLESS STEEL SHALL BE 304 UNLESS OTHERWISE SPECIFIED.

Rev.	Date	Description	Drawn	Prepared	Checked
B	24/10/11	GENERAL REVISIONS			
A	14/12/18	FOR CONSTRUCTION	SY	HYN	NC
-	18/10/18	FOR CONSTRUCTION	SY	HYN	NC

**AECOM**

CENTRAL - WAN CHAI BYPASS AND IEC LINK  
CENTRAL - WAN CHAI BYPASS  
CENTRAL INTERCHANGE

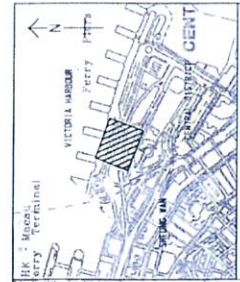
TITLE:  
IRRIGATION WATER SUPPLY DETAILS

SKETCH NO. 60095653/C1/SK1142B SCALE AS SHOWN

**Annex C**  
**Record Photos**

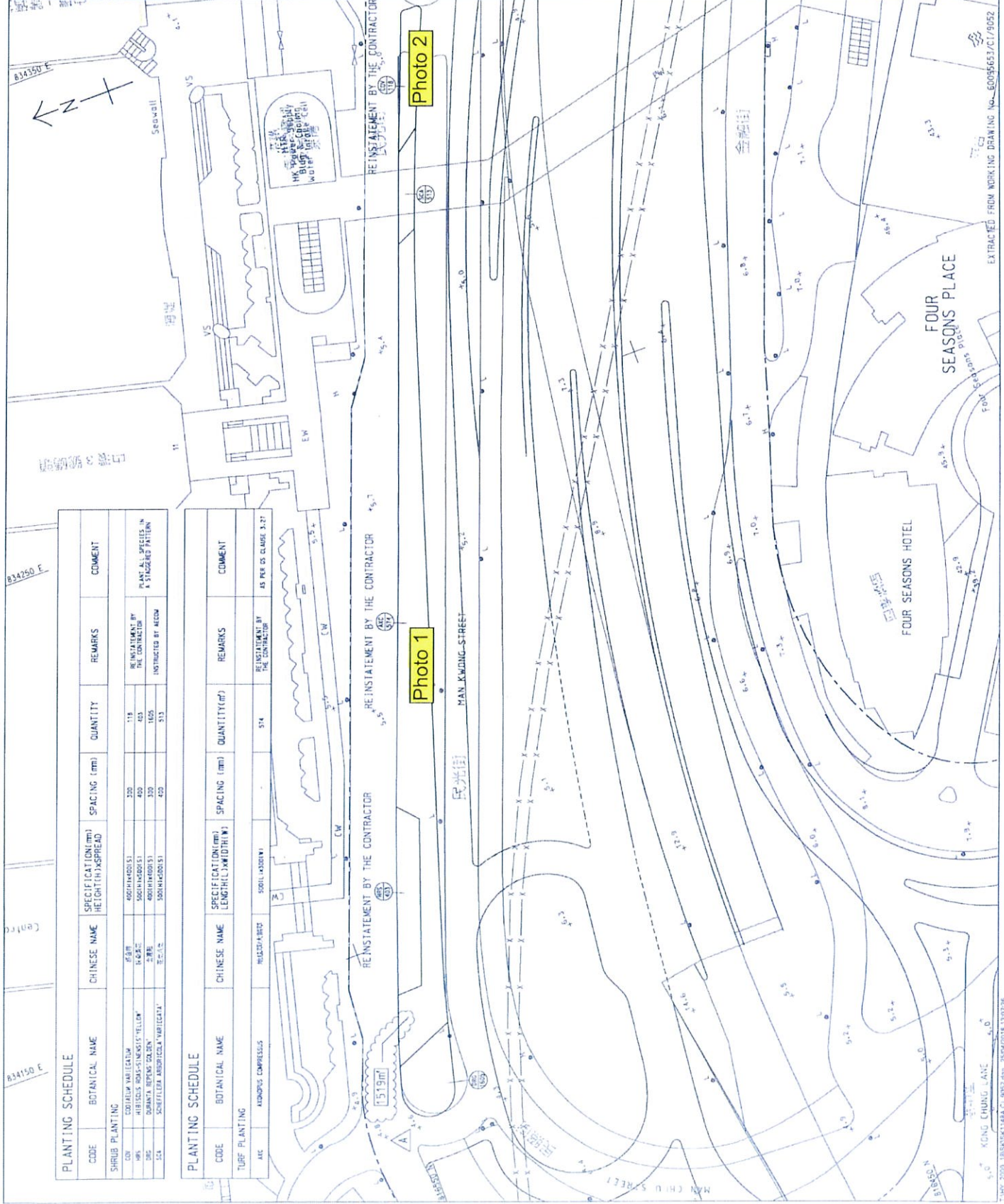
# General View of Planters





KEY PLAN

LEGEND:



PLANTING SCHEDULE						
CODE	BOTANICAL NAME	CHINESE NAME	SPECIFICATION (mm) HEIGHT X SPREAD	QUANTITY	REMARKS	COMMENT
<b>SHRUB PLANTING</b>						
05H	CODIUM VILLEGATIUM	六月桂	400(H)X200(S)	118	REINSTATEMENT BY THE CONTRACTOR	PLANT ALL SPECIES IN A STAGGERED PATTERN
05S	HIBISCUS ROSA-SINENSIS 'YELLOW'	黃牡丹	500(H)X200(S)	165	INSTRUCTED BY AECOM	
05G	DORNIYA REPENS 'GOLDEN'	金銀花	400(H)X200(S)	1605		
05K	SCHIFELIA ARBORIZANS 'VIRIDICATA'	紅仔花	500(H)X200(S)	513		

PLANTING SCHEDULE						
CODE	BOTANICAL NAME	CHINESE NAME	SPECIFICATION (mm) LENGTH X WIDTH (THICK)	QUANTITY (m <sup>2</sup> )	REMARKS	COMMENT
<b>TURF PLANTING</b>						
ATC	ARENDS COMPRESSUS	黑草/草皮	SOIL (AS SHOWN)	514	REINSTATEMENT BY THE CONTRACTOR	AS PER OS CLAUSE 3.27

**AECOM**

CENTRAL - WAN CHAI INFRASTRUCTURE LINK  
CENTRAL INTERCHANGE

TITLE: REINSTATEMENT AND SHRUB PLANTING AT  
MAN KWONG STREET CENTRAL DIVIDER PLANTER

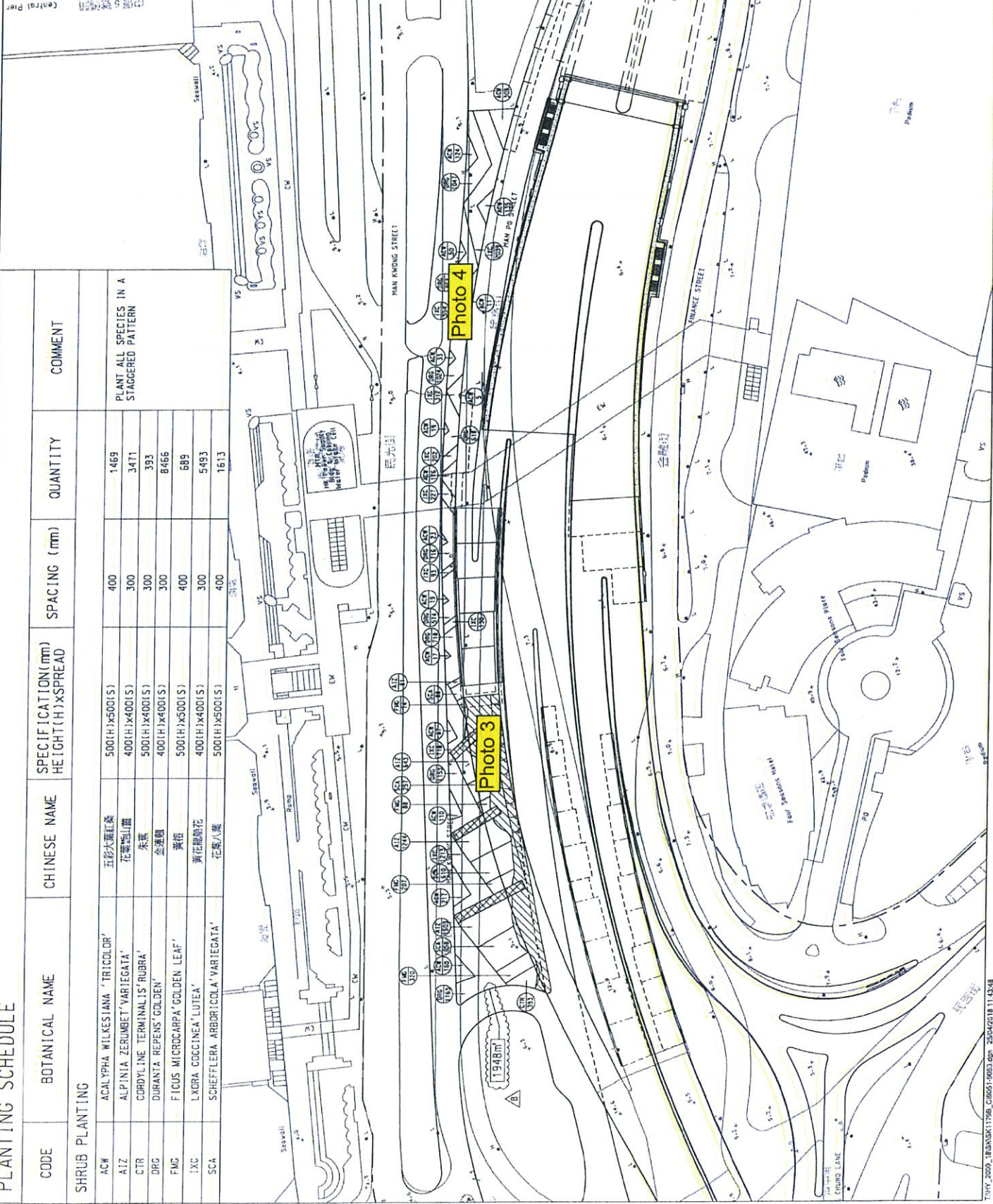
SKETCH NO. 60055653/CI/5K1148A

EXTRACTED FROM WORKING DRAWING No. 60055653/CI/9052



PLANTING SCHEDULE

CODE	BOTANICAL NAME	CHINESE NAME	SPECIFICATION (mm) HEIGHT(H) X SPREAD	SPACING (mm)	QUANTITY	COMMENT
SHRUB PLANTING						
ACW	ACALYPHA WILKESIANA 'TRICOLOR'	五彩大葉紅桑	500(H) X 500(S)	400	1469	PLANT ALL SPECIES IN A STAGGERED PATTERN
AIZ	ALPINIA ZERUMBET 'VARIEGATA'	花葉山薑	400(H) X 400(S)	300	3471	
CTR	CORDYLINE TERMINALIS 'RUBRA'	朱蕉	500(H) X 400(S)	300	393	
DRG	DURANTA REPENS 'GOLDEN'	金蓮燭	400(H) X 400(S)	300	8466	
FMC	FICUS MICROCARPA 'GOLDEN LEAF'	黃金榕	500(H) X 500(S)	400	689	
IXC	LXORA COCCINEA 'LUTEA'	黃花龍船花	400(H) X 400(S)	300	5493	
SC4	SHEFFELERA ARBORICOLA 'VARIEGATA'	花葉八寶	500(H) X 500(S)	400	1613	



NOTE:  
1. ALL FINISHES SHALL BE AS SHOWN IN CONSTRUCTION WITH THE EXCEPT AS NOTED.  
2. ALL FINISHES SHALL BE AS SHOWN IN CONSTRUCTION WITH THE EXCEPT AS NOTED.

LEGEND:  
SITE BOUNDARY  
LANDSCAPE FEATURE AND LIGHTING DETAILS REFER TO SPEC. NO. 60095653/CI/1798/01  
STONE FACING FINISHING  
SHRUB CODE  
QUANTITY

B	FOR RECORD ONLY	KTH	CDC	NC
A	FOR RECORD ONLY	KTH	CDC	NC
-	READY FOR CONSTRUCTION	KTH	CDC	NC
Rev.	Date	Description	Drawn/Prepared/Checked	

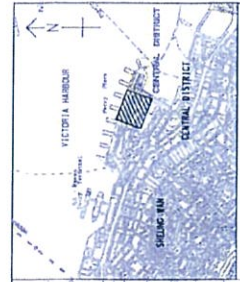
**AECOM**

CENTRAL - WAN CHAI BYPASS AND IEC LINK  
CENTRAL - WAN CHAI BYPASS  
CENTRAL INTERCHANGE

TITLE:  
SHRUB PLANTING PLAN AT PLANTER B  
ALONG MAN KWONG STREET

SKETCH NO.: 60095653/CI/SK11798  
SCALE: 1:1000(AD)





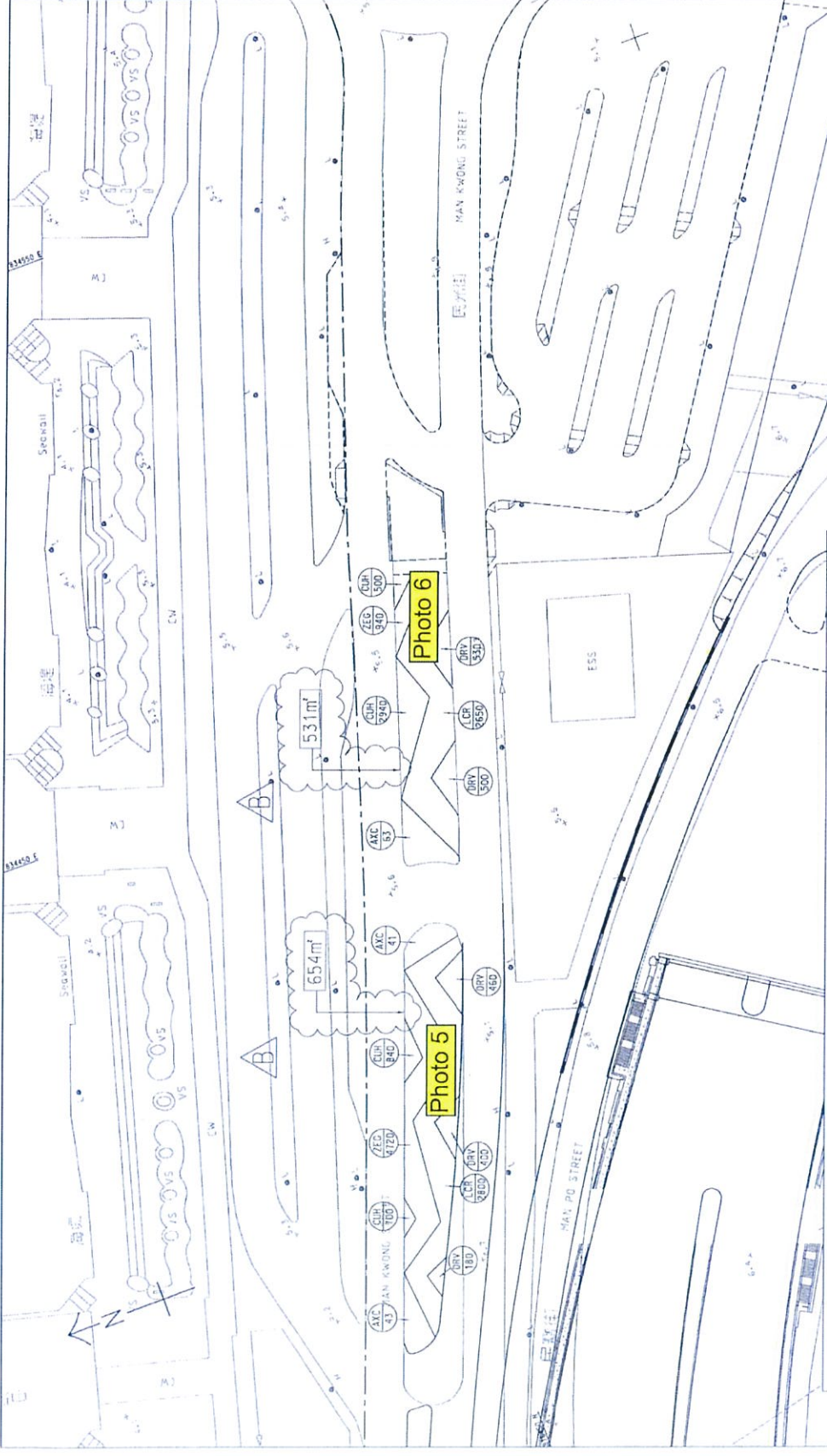
KEY PLAN

NOTE:

1. FOR NOTES AND LEGEND SEE DRG. NO. 60095653/CI/9051.

LEGEND:

- SHRUB CODE
- TURF CODE
- QUANTITY



PLANTING SCHEDULE

CODE	BOTANICAL NAME	CHINESE NAME	SPECIFICATION (mm) HEIGHT (H) x SPREAD (S)	SPACING (mm)	QUANTITY	COMMENT
CUP	CUPREA HYSSOPIFOLIA	細葉等距花炮紫雪蓮花	150(H) x 100(S)	150	4880	PLANT ALL SPECIES IN A STAGGERED PATTERN
LCP	LODIPETALUM CHINENSE F. RUBRUM	紅花龍木	400(H) x 400(S)	300	5450	
DRV	DURANTA REPENS CV GOLDEN EDGE	黃邊假連翹	300(H) x 300(S)	250	2070	
ZEG	ZEPHYRANTHES GRANDIFLORA	鳳尾花	100(H) x 200(S)	200	5660	

PLANTING SCHEDULE

CODE	BOTANICAL NAME	CHINESE NAME	SPECIFICATION (mm) LENGTH (L) x WIDTH (W)	SPACING (mm)	QUANTITY	COMMENT
AJC	AXONOPUS COMPRESSUS	地錢/人地草	500(L) x 300(W)	-	147	45 PER QS CLAUSE 3-27

B	BOOKS FOR RECORD ONLY	KLH	CVC	NC
A	MARKER FOR CONSTRUCTION	CLL	HYR	NC
-	MARKER FOR CONSTRUCTION	CLL	HYR	NC

**AECOM**

CENTRAL - WAN CHAI BYPASS AND IEC LINK  
CENTRAL INTERCHANGE

TITLE:  
SHRUBS PLANTING PLAN AT  
MAN KWONG STREET PLANTERS

SKETCH NO: 60095653/CI/5K10639

EXTRACTED FROM WORKING DRAWING NO. 60095653/CI/9051









Photo 2

23/04/2018



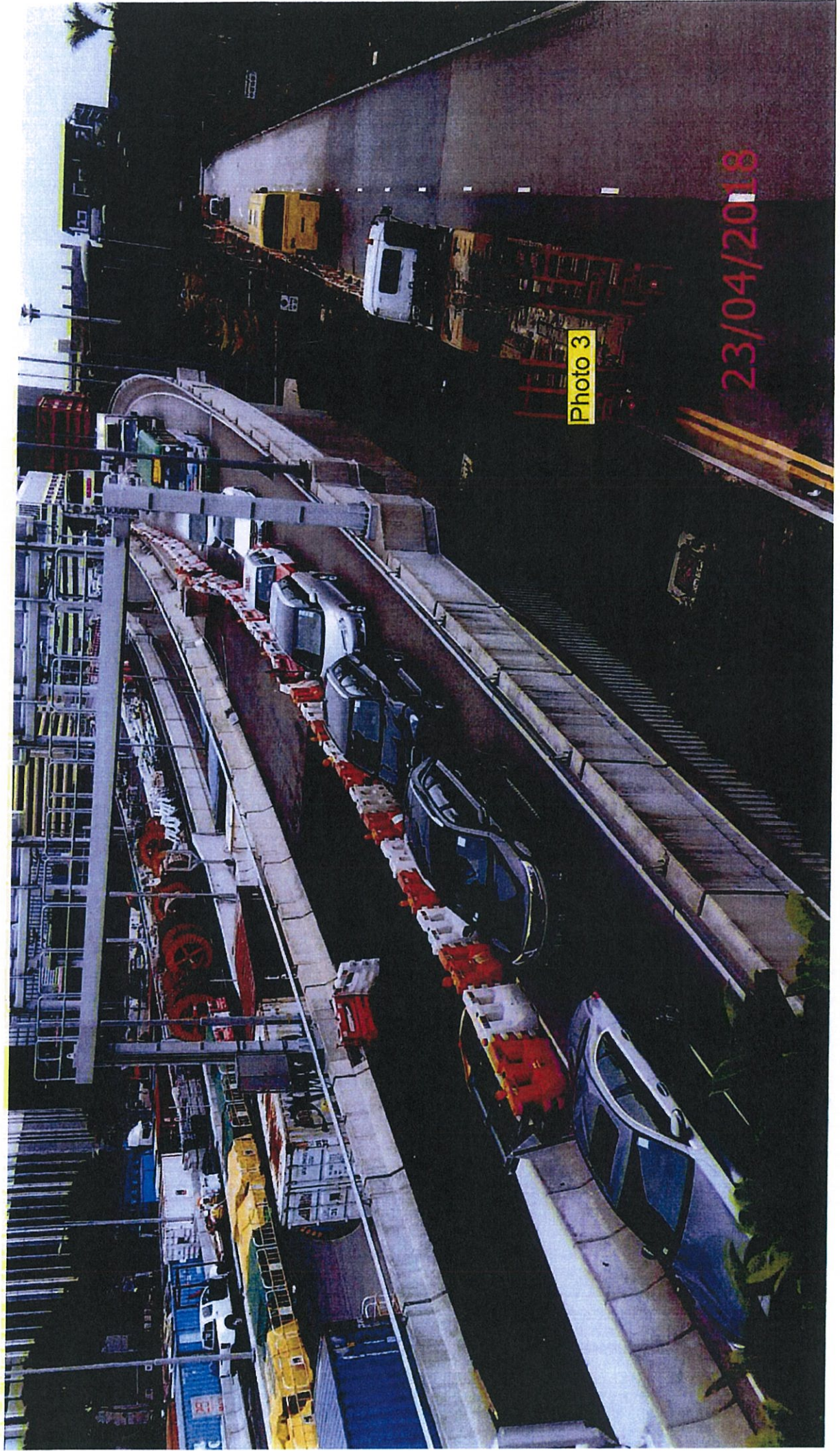


Photo 3

23/04/2018



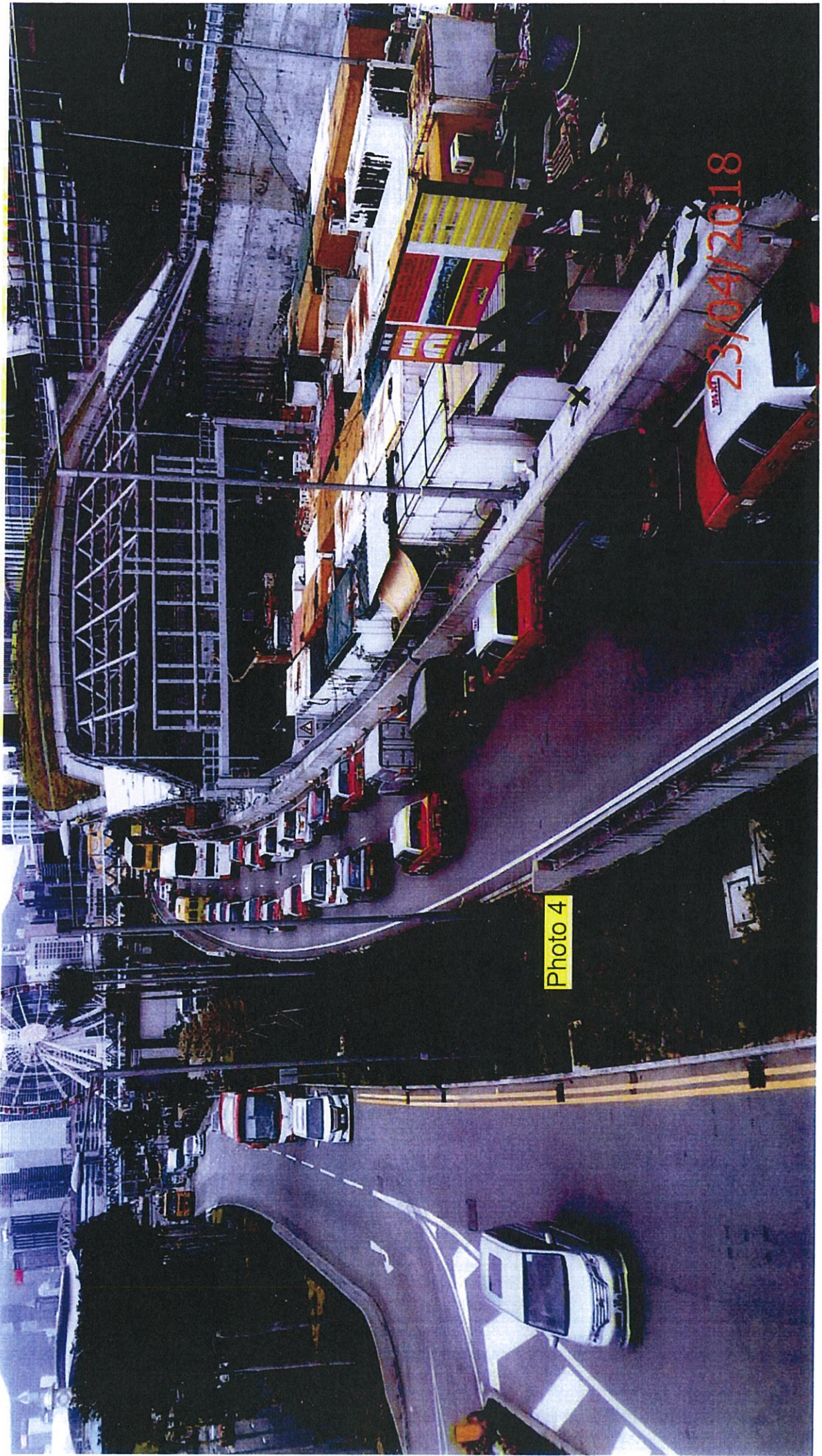


Photo 4

8102/160/37  
23/04/2018

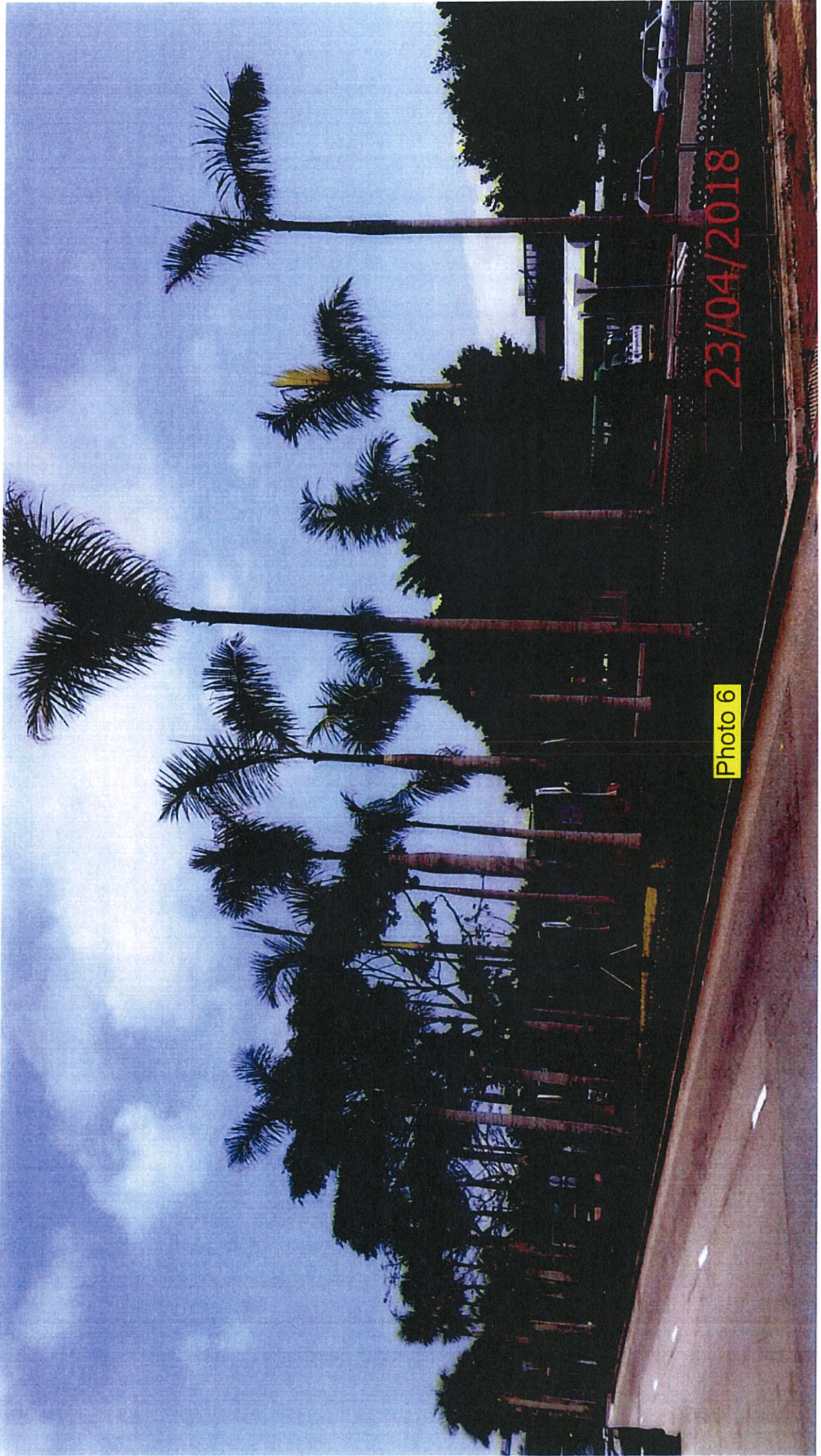




Photo 5

23/04/2018



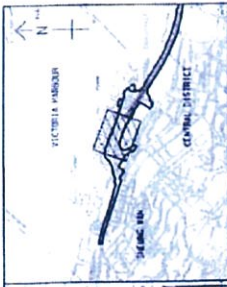


23/04/2018

Photo 6

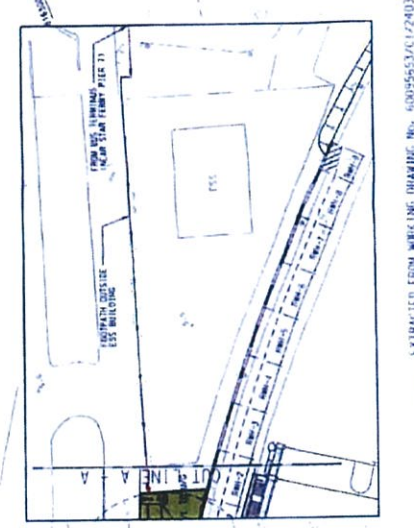
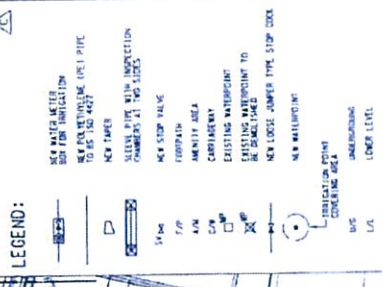
# **Functional Check of Irrigation System**





**NOTES:**

1. WATER PIPES AND WATER METER MAINS ARE INDICATED BY DASHED LINES.
2. EXISTING WATER MAINS ARE INDICATED BY DASHED LINES WITH "W" IN CIRCLES.
3. NEW WATER MAINS ARE INDICATED BY SOLID LINES WITH "W" IN CIRCLES.
4. ALL NEW WATER MAINS SHALL BE 12" DIA. UNLESS OTHERWISE NOTED.
5. ALL NEW WATER MAINS SHALL BE 150 PSI WORKING PRESSURE.
6. ALL NEW WATER MAINS SHALL BE 150 PSI WORKING PRESSURE.
7. ALL NEW WATER MAINS SHALL BE 150 PSI WORKING PRESSURE.
8. ALL NEW WATER MAINS SHALL BE 150 PSI WORKING PRESSURE.



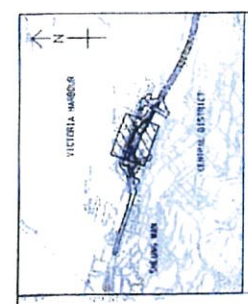
NO.	DATE	BY	CHKD.	DESCRIPTION
1	10/15/08	JLH	AS	ISSUED FOR PERMIT
2	10/15/08	JLH	AS	ISSUED FOR CONSTRUCTION
3	10/15/08	JLH	AS	ISSUED FOR AS-BUILT
4	10/15/08	JLH	AS	ISSUED FOR RECORD

**AECOM**

**CENTRAL - MAIN CHAIN BYPASS AND IEC LINK**  
CENTRAL - MAIN CHAIN BYPASS  
CENTRAL WATER TREATMENT PLANT

**TITLE:** IN 20' (FOR INDICAL FOR WATER POINT)  
**LAYOUT:** 0'-4" TO 0'-6" AND 1'-1" TO 1'-6"

**SKETCH NO.:** 60055653/C1/551032C



**KEY PLAN**  
 SCALE: 1:1,000

**NOTES:**  
 1. THIS DRAWING TO BE USED IN CONNECTION WITH THE CONTRACT DOCUMENTS.  
 2. ALL NOTES AND LEGENDS PLEASE REFER TO ENR. NO. 60095653/CI/SK1065B.

NO.	REVISION	DATE	BY	CHKD.
1	ISSUED FOR INFORMATION	07/11/11	YH	NC
2	ISSUED FOR INFORMATION	07/11/11	YH	NC

**AECOM**

**CENTRAL - MAIN CANAL BYPASS AND IFC LINK**  
 CENTRAL - MAIN CANAL BYPASS  
 CENTRAL INTERCHANGE

**TITLE:**  
 LAYOUT PLAN FOR IRRIGATION SYSTEM AT MAIN CANAL STREET

**PROJECT NO.:** 60095653/CI/SK1065B



EXTRACTED FROM WORKING DRAWING NO. 60095653/CI/17402 - 4002 SHEET NO. 60095653/CI/SK1065B



Photo A

7-6

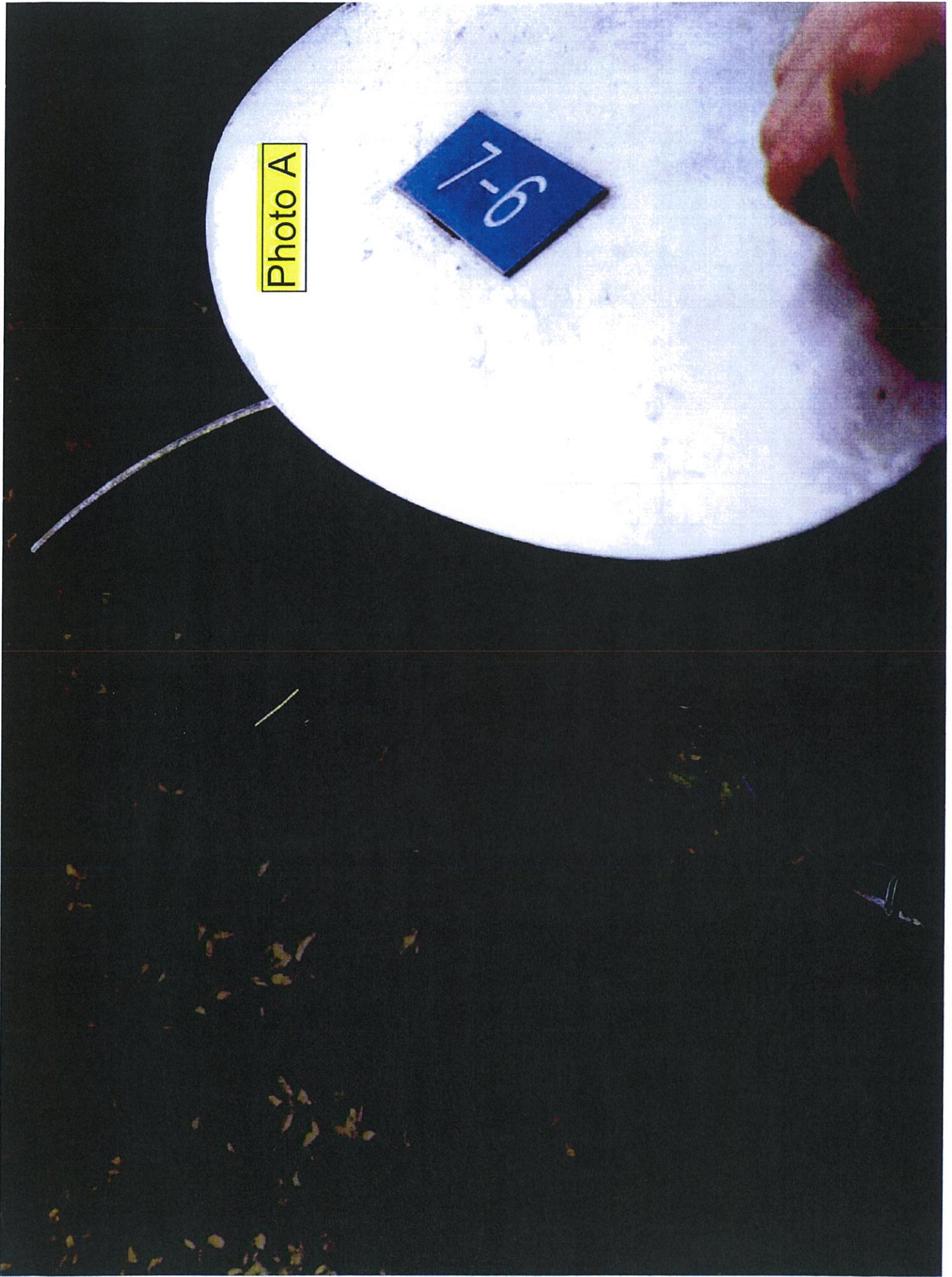






Photo B



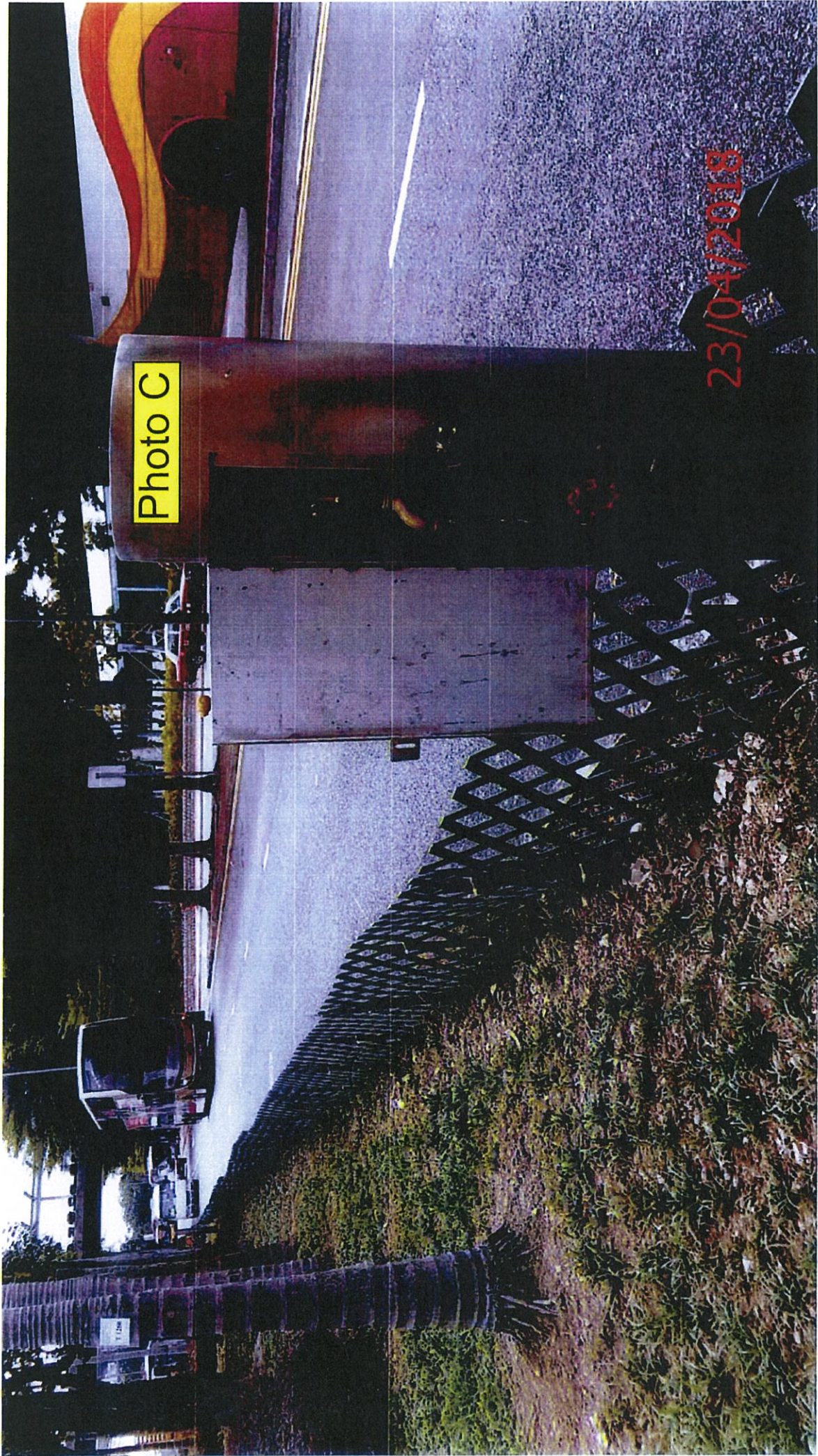


Photo C

23/04/2018



# Photos of Water Meter



Water Meter installed at  
Planter B (Near ESS)

**Annex D**

**Tree Risk Assessment Form 1**

**Report 2018**



# Contractor's Submission Form

Ref: H2540/CSF/OPR/03367-R0

Date: -4 APR 2018



18A021032

-4 APR 2018

Leighton Contractors  
(Asia) Limited

39/F Sun Hung Kai Centre  
30 Harbour Road, Hong Kong

t: +852 2823 1111  
f: +852 2529 8784

Contract: HY/2009/18 – Central-Wan Chai Bypass - Central Interchange

To: Engineer's Representative, The Chief Resident Engineer Mr. David Kwan

Title of Submission: Tree Risk Assessment Form 1 Report 2018 (Group 3)

Specification:

We are pleased to submit the following for your review and comment

Description:

Reference is made to Variation Order No. V/155 under letter ref. CWB/(HY/2009/18)/C55/800/18B011734 dated 02 January 2018, we submit herewith the Tree Risk Assessment Form 1 Report (Group 3) for your record.

Purpose of Submission:

FOR APPROVAL

FOR RECORD OR INFORMATION

Contractor's Representative

Signature:

Name: Jimmy Chu

Position: Project Manager

Date: 27 March 2018

Distribution: JC / JAC

Prepared by: W/L

Tree Management Information System (TMIS) 樹木管理資訊系統  
Tree Risk Assessment Form 1: Tree Group Inspection  
樹木風險評估表格 1: 樹群檢查

Note:  
Please use the back of this form for any additional information.  
(請在本表格背面填寫任何額外資料)

General Information 基本資料

Dept. / Agency 局/處: HyD | Inspection Officer 巡查員: Mr. NG Sze Yuen, Jason | Post No.: [C/A ISA Cert No. HK-1229A]  
 File Ref. 檔案編號: C2241/18/IGD0523 | Endorsement Officer 核人: Mr. HO Tat Pui, Daniel | Post No.: [C/A ISA Cert No. HK-0786A]  
 Date of Inspection 巡查日期: 02/02/2019 | Last Inspection Date 上次巡查日期: 10/01/2017  
 Agency/Project / Job Contract No. 局/處/合約編號: HYD2009/18  
 Inspection Frequency 巡查頻率: 12 months 12月

Location Information 位置資料

Master Zone Departmental Ref. 區/處編號: Central  
 Sub Zone Departmental Ref. 區/處編號: Central - Group 3  
 English Location 英文地址: Man Kwong Street  
 Chinese Location 中文地址: 民權街  
 Tree Risk Management Zone 樹木風險管理區類別:  category I 第 I 類  category II 第 II 類  category III 第 III 類  
 Nearby Utility Post No. 附近公用設施編號:  
 Location Types 地點類別 (multiple answers allowed 可選多於一項):  
 Roadside Landscaped Area 路邊綠化地區  Central District 中環區  Tree Pits 樹穴  Village/Estates 村莊/屋苑  
 Public Park/Recreation Area 公園/康樂場地  Un-leased Government Land 未租用的政府土地  
 Remote Countryside 偏遠郊區  Recreation Site Facilities inside Country Park 郊野公園內康樂設施  
 Vacant Government Land 政府空置土地  SIMAR Slopes 系統斜坡維修責任的斜坡  
 Others (please specify) 其他 (請說明):

Tree Information 樹木基本資料

The size of a tree group should be defined by location types, such as public park, SIMAR slopes, tree pits, etc. with due consideration given to the limitations of visual tree assessment.  
 在決定樹群的大小時，應參照地點類別，如公園、系統斜坡、樹穴等，並考慮到目視樹木評估的局限。

Main tree species in the group (DBH > 95 mm) and minority tree species of significant size (i.e. approx. DBH > 300 mm) 主要樹種(樹徑 > 95 毫米)及少數樹種(樹徑 > 300 毫米)	App. No. of Trees 約樹木數量	Height (m) From 樹高 (米) 下	Height (m) To 樹高 (米) 上	Overall Health Condition 整體健康狀況	Overall Structural Condition 整體結構狀況
(Please delete the "blank" rows before save 保存前，請刪除"空白"行)	79	4.0	15.0	Fair 良	Fair 良
Roystonea regia 大王椰子(王棕)	4	7.0	9.0	Fair 良	Fair 良
Melia azedarach 楝(苦楝)	4	3.0	6.5	Fair 良	Fair 良
Archontophoenix alexandrae 棕欖	6	6.0	7.0	Fair 良	Fair 良
Hibiscus tiliaceus 黃槿	1	8.0	8.0	Fair 良	Fair 良
Delonix regia 鳳凰木	4	4.0	8.0	Fair 良	Fair 良
Alstonia scholaris 鵝掌楸(黑樹膠)					

Total No. of Trees 樹木總數: 98 | No. of rows to be added: 1 | Add Row | Delete Row

Overall Remarks 整體評語

This assessment recorded 98 nr. existing trees within the boundary. No registered Old and Valuable Tree or protected species was recorded. The general health and form of the trees are fair. Pruning work is recommended to the retained trees No. AT010, AT011, AT012, T1183, T1184, T1185, T1186, T1237, T1251, T1252 and T1253; pest control is recommended to the retained trees No. T1173, T1198 and T1202.

Target 目標

Target (people or property potentially affected by tree/branch failure) 目標 (該樹木倒塌或枝條脫落可能影響的人或財產)

Does target exist? 目標是否存在?  Yes / 是  No / 否  
 Can target be moved? 能否移除目標?  Yes / 是  No / 否  
 Can the use of site be restricted? 可否限制該地的使用?  Yes / 是  No / 否  
 Frequency of use of location 使用地點的頻密程度:  
 Occasional Use 偶爾使用  Intermittent Use 間歇使用  Frequent Use 經常使用  Constant Use 經常使用

Identification of Trees for Remedial Action or Detailed Tree Risk Assessment (Form 2) 識別樹木以採取風險緩解措施或進行詳細樹木風險評估 (表格 2)

Trees falling under the following criteria 樹木類別(任何一項或多項) 須列明	Number of trees 樹木數量	Remedial action or detailed tree risk assessment (Form 2) 風險緩解措施或詳細樹木風險評估 (表格 2)	Anticipated Completion Date 預計完成日期	Actual Completion Date 實際完成日期
(1) Old and Valuable Tree (OVT) 古樹名木				



(2) Stonewall tree 石牆樹				
(3) Trees on complaint list with structural or health problems 投訴個案中有結構或健康問題的樹木				
(4) Trees belonging to species with brittle wood structure and having unsatisfactory health or structural conditions with failure potential 屬木質脆弱品種而健康或結構欠佳的而具有倒塌潛力的樹木				
(5) Tree with major defects or health problems 有明顯缺陷或健康問題的樹木				
(6) Trees growing in very stressful site conditions with failure potential 生長於非常擠壓環境的樹木並有樹枝或樹幹倒塌風險				
(7) Mature trees 已屆成熟樹齡				

**Summary of Statistic on TRIAGE Trees 分流樹木統計總結**

Black 黑		Red 紅		Yellow 黃	
---------	--	-------	--	----------	--

**Attached Information 附夾資料**

(Maximum 10 attachments and total 25MB allowed 最多可容納10個附件並合計不多於25MB)

Site Plan 場地平面圖 (Provide at least 1 site plan 最少提供一個場地平面圖)	Add Site Plan	Delete Site Plan
1 Attach 20180223104357.pdf Description 說明: Tree Location Plan		

Photo Record 樹木照片 (Provide at least 1 photo record 最少提供一個相片紀錄)	Add Photo Record	Delete Photo Record
1 Attach 20180223104744.JPG Description 說明: General View		
2 Attach 20180223104753.JPG Description 說明: General View		
3 Attach 20180223104801.JPG Description 說明: General View		
4 Attach 20180223104809.JPG Description 說明: General View		
5 Attach 20180223104825.JPG Description 說明: General View		
6 Attach 20180223104833.JPG Description 說明: General View		
7 Description 說明:		
8 Description 說明:		
9 Description 說明:		

Other Attachments 其他附件 (Please specific 請註明)	Add Others	Delete Others
1 Subject Title 標題: Description 說明:		

**Note 注意**

Please read in conjunction with TMU's Guidelines on Tree Risk Assessment and Management Arrangement and relevant Technical Circulars promulgated on Development Bureau website www.trees.gov.hk  
請參閱發展局網頁 www.trees.gov.hk 木管理辦事處的樹木風險評估安排及管理指引及相關技術通告

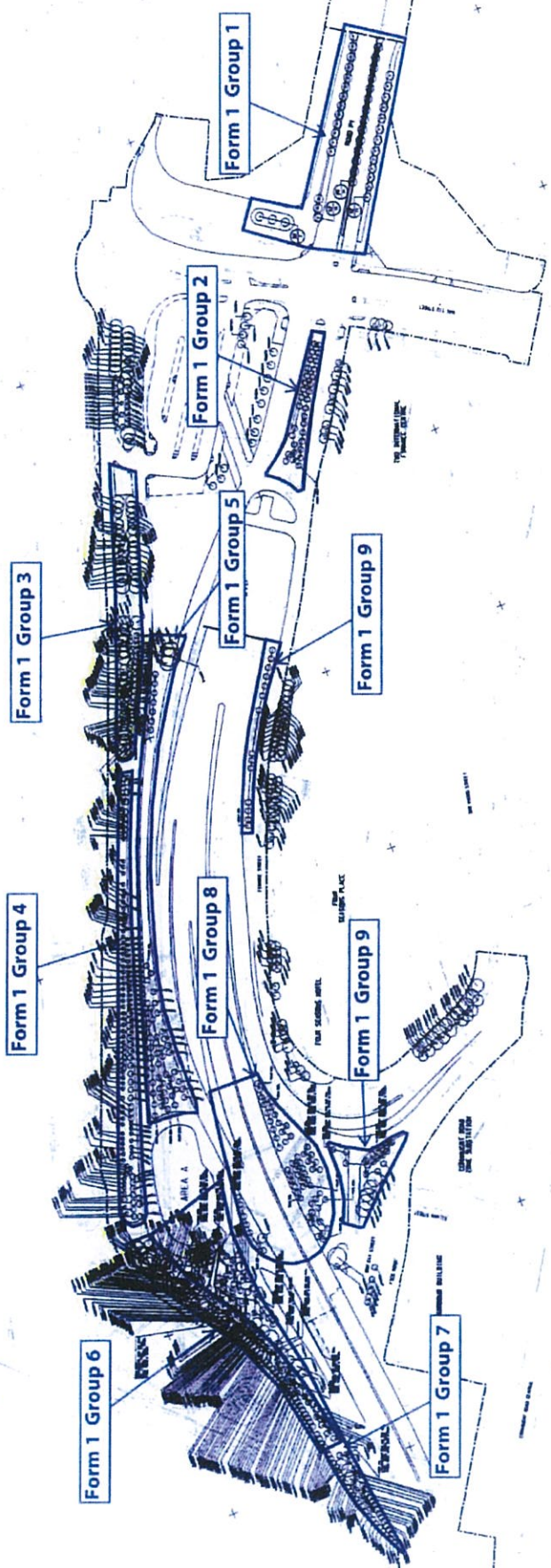
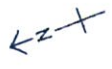


**LEGEND**

Symbol	Description
(Symbol)	Form 1 Group 1
(Symbol)	Form 1 Group 2
(Symbol)	Form 1 Group 3
(Symbol)	Form 1 Group 4
(Symbol)	Form 1 Group 5
(Symbol)	Form 1 Group 6
(Symbol)	Form 1 Group 7
(Symbol)	Form 1 Group 8
(Symbol)	Form 1 Group 9

**GENERAL NOTES**

1. ALL TREE PLANTINGS SHALL BE IN ACCORDANCE WITH THE CITY OF LOS ANGELES TREE ORDINANCE.
2. TREE PLANTINGS SHALL BE IN ACCORDANCE WITH THE CITY OF LOS ANGELES TREE ORDINANCE.
3. TREE PLANTINGS SHALL BE IN ACCORDANCE WITH THE CITY OF LOS ANGELES TREE ORDINANCE.
4. TREE PLANTINGS SHALL BE IN ACCORDANCE WITH THE CITY OF LOS ANGELES TREE ORDINANCE.
5. TREE PLANTINGS SHALL BE IN ACCORDANCE WITH THE CITY OF LOS ANGELES TREE ORDINANCE.
6. TREE PLANTINGS SHALL BE IN ACCORDANCE WITH THE CITY OF LOS ANGELES TREE ORDINANCE.
7. TREE PLANTINGS SHALL BE IN ACCORDANCE WITH THE CITY OF LOS ANGELES TREE ORDINANCE.
8. TREE PLANTINGS SHALL BE IN ACCORDANCE WITH THE CITY OF LOS ANGELES TREE ORDINANCE.
9. TREE PLANTINGS SHALL BE IN ACCORDANCE WITH THE CITY OF LOS ANGELES TREE ORDINANCE.
10. TREE PLANTINGS SHALL BE IN ACCORDANCE WITH THE CITY OF LOS ANGELES TREE ORDINANCE.



Tree Location Plan

EXTRACTED FROM WORKING DRAWING NOS. 0005653/CI/9011, 2012, 2013

Contract No.: HY/2009/18  
Central - Wan Chai Bypass - Central Interchange

Photo Record of Tree Risk Assessment Form 1 Report - Group 3



Attach\_20180223104744



Attach\_20180223104753



Attach\_20180223104801



Attach\_20180223104809



Attach\_20180223104825



Attach\_20180223104833



# Contractor's Submission Form

Ref: H2540/CSF/OPR/03368-R0

Date: - 4 APR 2018



18A021030

- 4 APR 2018

Leighton Contractors  
(Asia) Limited

39/F Sun Hung Kai Centre  
30 Harbour Road, Hong Kong

t: +852 2823 1111  
f: +852 2529 8784

Contract: HY/2009/18 – Central-Wan Chai Bypass - Central Interchange

To: Engineer's Representative, The Chief Resident Engineer Mr. David Kwan

Title of Submission: Tree Risk Assessment Form 1 Report 2018 (Group 4)

**Specification:**

We are pleased to submit the following for your review and comment

**Description:**

Reference is made to Variation Order No. V/155 under letter ref. CWB/(HY/2009/18)/C55/800/18B011734 dated 02 January 2018, we submit herewith the Tree Risk Assessment Form 1 Report (Group 4) for your record.

Purpose of Submission:

FOR APPROVAL

FOR RECORD OR INFORMATION

Contractor's Representative

Signature:

Name: Jimmy Chu

Position: Project Manager

Date: 27 March 2018

Distribution: JC / JAC

Prepared by: WL



Tree Management Information System (TMIS) 樹木管理資訊系統  
Tree Risk Assessment Form 1: Tree Group Inspection  
樹木風險評估表格 1: 樹群檢查

Please use this WebForm to fill in the information.  
Please Save this WebForm to your PC.  
Please Save this WebForm to your PC.

General Information 基本資料

Dept / Agency 部門:	HyD	Inspection Officer 巡查人員:	Mr NG Sze Yuen Jason	Post 職銜:	C.A. ISA Cert No. HK-12197
File Ref. 檔案編號:	C2241/18/TGD0523	Endorsement Officer 審核人員:	Mr HO Tat Pu Daniel	Post 職銜:	C.A. ISA Cert No. HK-0794A
Date of Inspection 巡查日期:	02/02/2018	Last Inspection Date 上次巡查日期:	17/01/2017		
Agency / Project / Contract No. 部門/工程/合約編號:	HY/2009/18				
Inspection Frequency 巡查頻率:	12 months 12個月				

Location Information 位置資料

Master Zone Departmental Ref. 主區編號:	Central				
Sub Zone Departmental Ref. 副區編號:	Central - Group 4				
English Location 英文地點:	Man Kwong Street				
Chinese Location 中文地點:	民康街				
Tree Risk Management Zone 樹木風險管理地帶編號:	<input checked="" type="checkbox"/> category I 第一類 <input type="checkbox"/> category II 第二類 <input type="checkbox"/> category III 第三類				
Nearby Utility Post No. 附近公用設施編號:					
Location Types 地點類別:	<input type="checkbox"/> Roadside Landscaped Area 路旁綠化地區 <input checked="" type="checkbox"/> Central Divider 中央分隔帶 <input type="checkbox"/> Tree Pit 樹穴 <input type="checkbox"/> Village Entrance 村莊入口 <input type="checkbox"/> Public Park/Recreation Venue 公園/康樂場地 <input type="checkbox"/> Unutilized Government Land 未利用的政府土地 <input type="checkbox"/> Remote Countryside 偏遠郊區 <input type="checkbox"/> Recreational Site/Facilities inside Country Park 郊野公園內康樂用地設施 <input type="checkbox"/> Vacant Government Land 政府閒置土地 <input type="checkbox"/> SIMAR Slopes 系統斜坡/斜坡保育地段 <input type="checkbox"/> Others (please specify) 其他 (請說明)				

Tree Information 樹木基本資料

The size of a tree group should be defined by location types, such as public park, SIMAR slopes, tree pits, etc. with due consideration given to the limitations of visual tree assessment.  
樹木組別的大小應根據地點類別，如公園、系統斜坡、樹穴等的修訂，並考慮到目視評估的局限性。

Main tree species in the group (DBH ≥ 95 mm) and minority tree species of significant size (i.e. approx. DBH ≥ 300 mm) 本組內的主要樹種 (胸徑 ≥ 95 mm) 及少數但具重要性的樹種 (胸徑約 ≥ 300 mm)	App. No. of Trees 大約的樹木數目	Height (m) From 樹高 (米) 由	Height (m) To 樹高 (米) 至	Overall Health Condition 整體健康狀況	Overall Structural Condition 整體結構狀況
(Please delete the "blank" rows before save. 刪除空白行，以便儲存。)					
Roystonea regia 大王椰子 (正樹)	124	5.0	16.0	Fair 良	Fair 良
Archontophoenix alexandrae 紅領椰子	1	7.0	7.0	Fair 良	Fair 良
Cratogeomys unilocularis 樹頭菜(樹木)	1	5.0	5.0	Fair 良	Fair 良
Hibiscus tiliaceus 黃葵	5	8.0	9.0	Fair 良	Fair 良
Listonia chinensis 海菜	2	2.0	2.0	Fair 良	Fair 良
Astonia scholaris 樹頭菜(樹木)	3	7.0	7.0	Fair 良	Fair 良

Total No. of Trees 樹木總數: 136    No. of rows to be added: 1    Add Row    Delete Row

Overall Remarks 整體評語

This assessment recorded 136 nr. existing trees within the boundary. No registered Old and Valuable Tree or protected species was recorded. The general health and form of the trees are fair. Pruning work and pest control is recommended to following trees, retained trees: T1582 and T1383; transplanted trees: T1224, T1275, T1690, T1721, T1733, T1726 and T1836.

Target 目標

Target (people or property potentially affected by tree/branch failure) 目標 (可能受到樹木/樹枝倒塌而受影響的人或財產)

Does target exist? 目標物是否存在?     Yes / 是     No / 否

Can target be moved? 可否移除目標物?     Yes / 是     No / 否

Can the use of site be restricted? 可否限制場地的使用?     Yes / 是     No / 否

Frequency of use of location (使用地點的頻密程度):  
 Occasional Use 偶爾使用   
 Intermittent Use 間歇使用   
 Frequent Use 頻密使用   
 Constant Use 經常使用

Identification of Trees for Remedial Action or Detailed Tree Risk Assessment (Form 2) 識別樹木以採取風險管理或進行詳細樹木風險評估 (表格 2)

Trees falling under the following criteria 符合下列標準的樹木	Number of trees 樹木數目	Remedial action or detailed tree risk assessment (Form 2) 風險管理或詳細樹木風險評估 (表格 2)	Anticipated Completion Date 預計完成日期	Actual Completion Date 完成日期
(1) Old and Valuable Tree (OVT) 古樹名木				



(2) Stonewall tree 石牆樹				
(3) Trees on complaint list with structural or health problems 投訴個案中有結構或健康問題的樹木				
(4) Trees belonging to species with brittle wood structure and having unsatisfactory health or structural conditions with failure potential 屬木質脆弱品種而健康或結構欠佳的而具倒塌風險的樹木				
(5) Tree with major defects or health problems 有明顯缺陷或健康問題的樹木				
(6) Trees growing in very stressful site conditions with failure potential 生長於非常擠壓環境的樹木並有樹枝或樹幹倒塌風險				
(7) Mature trees 已呈成熟樹齡				

Summary of Statistic on TRIAGE Trees 分流樹木統計總結

Black 黑		Red 紅		Yellow 黃	
---------	--	-------	--	----------	--

Attached Information 附水資料

(Maximum 10 attachments and total 25MB allowed 最多可容納10個附件並合計不多於25MB)

Site Plan 場地平面圖 Add Site Plan Delete Site Plan  
 (Provide at least 1 site plan 最少提供一個場地平面圖)  
 1 Attach\_20180223112020.pdf  
 Description 說明: Tree Location Plan

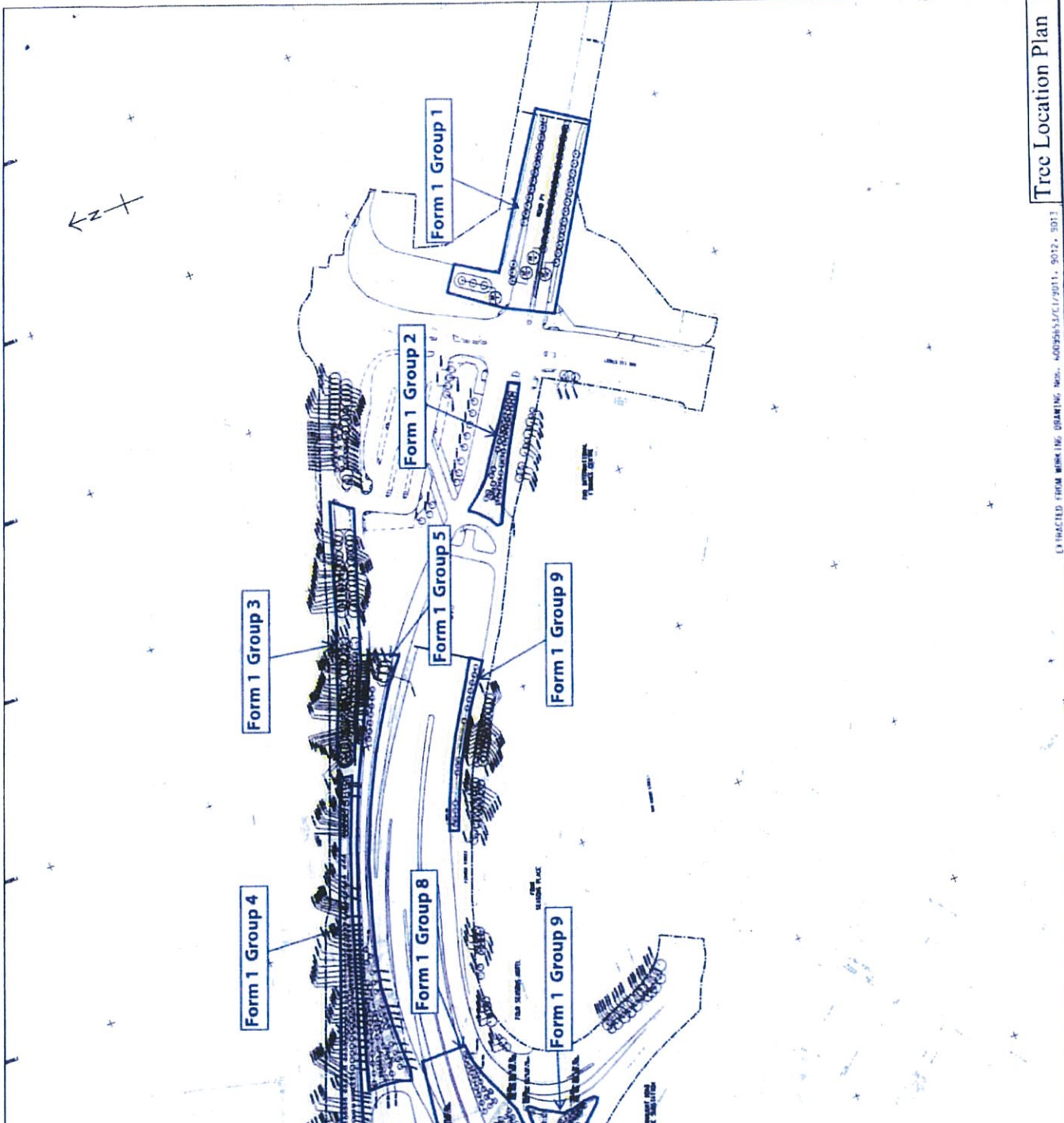
Photo Record 樹木照片 Add Photo Record Delete Photo Record  
 (Provide at least 1 photo record 最少提供一個相片紀錄)  
 1 Attach\_20180223112039.JPG  
 Description 說明: General View  
 2 Attach\_20180223112045.JPG  
 Description 說明: General View  
 3 Attach\_20180223112052.JPG  
 Description 說明: General View  
 4 Attach\_20180223112059.JPG  
 Description 說明: General View  
 5  
 Description 說明:  
 6  
 Description 說明:  
 7  
 Description 說明:  
 8  
 Description 說明:  
 9  
 Description 說明:

Other Attachments 其他附件 (Please specific 請註明) Add Others Delete Others  
 1  
 Subject Title 標題:  
 Description 說明:

Note 注意

Please read in conjunction with TMO's Guidelines on Tree Risk Assessment and Management Arrangement and relevant Technical Circulars promulgated on Development Bureau website www.trees.gov.hk  
 請參閱發展局網頁 www.trees.gov.hk 就樹木管理辦事處的樹木風險評估安排及管理指引及相關技術通告

SYMBOL	DESCRIPTION
(Symbol)	1. 10' PLANTING STRIP
(Symbol)	2. 15' PLANTING STRIP
(Symbol)	3. 20' PLANTING STRIP
(Symbol)	4. 25' PLANTING STRIP
(Symbol)	5. 30' PLANTING STRIP
(Symbol)	6. 35' PLANTING STRIP
(Symbol)	7. 40' PLANTING STRIP
(Symbol)	8. 45' PLANTING STRIP
(Symbol)	9. 50' PLANTING STRIP
(Symbol)	10. 55' PLANTING STRIP
(Symbol)	11. 60' PLANTING STRIP
(Symbol)	12. 65' PLANTING STRIP
(Symbol)	13. 70' PLANTING STRIP
(Symbol)	14. 75' PLANTING STRIP
(Symbol)	15. 80' PLANTING STRIP
(Symbol)	16. 85' PLANTING STRIP
(Symbol)	17. 90' PLANTING STRIP
(Symbol)	18. 95' PLANTING STRIP
(Symbol)	19. 100' PLANTING STRIP
(Symbol)	20. 105' PLANTING STRIP
(Symbol)	21. 110' PLANTING STRIP
(Symbol)	22. 115' PLANTING STRIP
(Symbol)	23. 120' PLANTING STRIP
(Symbol)	24. 125' PLANTING STRIP
(Symbol)	25. 130' PLANTING STRIP
(Symbol)	26. 135' PLANTING STRIP
(Symbol)	27. 140' PLANTING STRIP
(Symbol)	28. 145' PLANTING STRIP
(Symbol)	29. 150' PLANTING STRIP
(Symbol)	30. 155' PLANTING STRIP
(Symbol)	31. 160' PLANTING STRIP
(Symbol)	32. 165' PLANTING STRIP
(Symbol)	33. 170' PLANTING STRIP
(Symbol)	34. 175' PLANTING STRIP
(Symbol)	35. 180' PLANTING STRIP
(Symbol)	36. 185' PLANTING STRIP
(Symbol)	37. 190' PLANTING STRIP
(Symbol)	38. 195' PLANTING STRIP
(Symbol)	39. 200' PLANTING STRIP
(Symbol)	40. 205' PLANTING STRIP
(Symbol)	41. 210' PLANTING STRIP
(Symbol)	42. 215' PLANTING STRIP
(Symbol)	43. 220' PLANTING STRIP
(Symbol)	44. 225' PLANTING STRIP
(Symbol)	45. 230' PLANTING STRIP
(Symbol)	46. 235' PLANTING STRIP
(Symbol)	47. 240' PLANTING STRIP
(Symbol)	48. 245' PLANTING STRIP
(Symbol)	49. 250' PLANTING STRIP
(Symbol)	50. 255' PLANTING STRIP
(Symbol)	51. 260' PLANTING STRIP
(Symbol)	52. 265' PLANTING STRIP
(Symbol)	53. 270' PLANTING STRIP
(Symbol)	54. 275' PLANTING STRIP
(Symbol)	55. 280' PLANTING STRIP
(Symbol)	56. 285' PLANTING STRIP
(Symbol)	57. 290' PLANTING STRIP
(Symbol)	58. 295' PLANTING STRIP
(Symbol)	59. 300' PLANTING STRIP
(Symbol)	60. 305' PLANTING STRIP
(Symbol)	61. 310' PLANTING STRIP
(Symbol)	62. 315' PLANTING STRIP
(Symbol)	63. 320' PLANTING STRIP
(Symbol)	64. 325' PLANTING STRIP
(Symbol)	65. 330' PLANTING STRIP
(Symbol)	66. 335' PLANTING STRIP
(Symbol)	67. 340' PLANTING STRIP
(Symbol)	68. 345' PLANTING STRIP
(Symbol)	69. 350' PLANTING STRIP
(Symbol)	70. 355' PLANTING STRIP
(Symbol)	71. 360' PLANTING STRIP
(Symbol)	72. 365' PLANTING STRIP
(Symbol)	73. 370' PLANTING STRIP
(Symbol)	74. 375' PLANTING STRIP
(Symbol)	75. 380' PLANTING STRIP
(Symbol)	76. 385' PLANTING STRIP
(Symbol)	77. 390' PLANTING STRIP
(Symbol)	78. 395' PLANTING STRIP
(Symbol)	79. 400' PLANTING STRIP
(Symbol)	80. 405' PLANTING STRIP
(Symbol)	81. 410' PLANTING STRIP
(Symbol)	82. 415' PLANTING STRIP
(Symbol)	83. 420' PLANTING STRIP
(Symbol)	84. 425' PLANTING STRIP
(Symbol)	85. 430' PLANTING STRIP
(Symbol)	86. 435' PLANTING STRIP
(Symbol)	87. 440' PLANTING STRIP
(Symbol)	88. 445' PLANTING STRIP
(Symbol)	89. 450' PLANTING STRIP
(Symbol)	90. 455' PLANTING STRIP
(Symbol)	91. 460' PLANTING STRIP
(Symbol)	92. 465' PLANTING STRIP
(Symbol)	93. 470' PLANTING STRIP
(Symbol)	94. 475' PLANTING STRIP
(Symbol)	95. 480' PLANTING STRIP
(Symbol)	96. 485' PLANTING STRIP
(Symbol)	97. 490' PLANTING STRIP
(Symbol)	98. 495' PLANTING STRIP
(Symbol)	99. 500' PLANTING STRIP
(Symbol)	100. 505' PLANTING STRIP
(Symbol)	101. 510' PLANTING STRIP
(Symbol)	102. 515' PLANTING STRIP
(Symbol)	103. 520' PLANTING STRIP
(Symbol)	104. 525' PLANTING STRIP
(Symbol)	105. 530' PLANTING STRIP
(Symbol)	106. 535' PLANTING STRIP
(Symbol)	107. 540' PLANTING STRIP
(Symbol)	108. 545' PLANTING STRIP
(Symbol)	109. 550' PLANTING STRIP
(Symbol)	110. 555' PLANTING STRIP
(Symbol)	111. 560' PLANTING STRIP
(Symbol)	112. 565' PLANTING STRIP
(Symbol)	113. 570' PLANTING STRIP
(Symbol)	114. 575' PLANTING STRIP
(Symbol)	115. 580' PLANTING STRIP
(Symbol)	116. 585' PLANTING STRIP
(Symbol)	117. 590' PLANTING STRIP
(Symbol)	118. 595' PLANTING STRIP
(Symbol)	119. 600' PLANTING STRIP
(Symbol)	120. 605' PLANTING STRIP
(Symbol)	121. 610' PLANTING STRIP
(Symbol)	122. 615' PLANTING STRIP
(Symbol)	123. 620' PLANTING STRIP
(Symbol)	124. 625' PLANTING STRIP
(Symbol)	125. 630' PLANTING STRIP
(Symbol)	126. 635' PLANTING STRIP
(Symbol)	127. 640' PLANTING STRIP
(Symbol)	128. 645' PLANTING STRIP
(Symbol)	129. 650' PLANTING STRIP
(Symbol)	130. 655' PLANTING STRIP
(Symbol)	131. 660' PLANTING STRIP
(Symbol)	132. 665' PLANTING STRIP
(Symbol)	133. 670' PLANTING STRIP
(Symbol)	134. 675' PLANTING STRIP
(Symbol)	135. 680' PLANTING STRIP
(Symbol)	136. 685' PLANTING STRIP
(Symbol)	137. 690' PLANTING STRIP
(Symbol)	138. 695' PLANTING STRIP
(Symbol)	139. 700' PLANTING STRIP
(Symbol)	140. 705' PLANTING STRIP
(Symbol)	141. 710' PLANTING STRIP
(Symbol)	142. 715' PLANTING STRIP
(Symbol)	143. 720' PLANTING STRIP
(Symbol)	144. 725' PLANTING STRIP
(Symbol)	145. 730' PLANTING STRIP
(Symbol)	146. 735' PLANTING STRIP
(Symbol)	147. 740' PLANTING STRIP
(Symbol)	148. 745' PLANTING STRIP
(Symbol)	149. 750' PLANTING STRIP
(Symbol)	150. 755' PLANTING STRIP
(Symbol)	151. 760' PLANTING STRIP
(Symbol)	152. 765' PLANTING STRIP
(Symbol)	153. 770' PLANTING STRIP
(Symbol)	154. 775' PLANTING STRIP
(Symbol)	155. 780' PLANTING STRIP
(Symbol)	156. 785' PLANTING STRIP
(Symbol)	157. 790' PLANTING STRIP
(Symbol)	158. 795' PLANTING STRIP
(Symbol)	159. 800' PLANTING STRIP
(Symbol)	160. 805' PLANTING STRIP
(Symbol)	161. 810' PLANTING STRIP
(Symbol)	162. 815' PLANTING STRIP
(Symbol)	163. 820' PLANTING STRIP
(Symbol)	164. 825' PLANTING STRIP
(Symbol)	165. 830' PLANTING STRIP
(Symbol)	166. 835' PLANTING STRIP
(Symbol)	167. 840' PLANTING STRIP
(Symbol)	168. 845' PLANTING STRIP
(Symbol)	169. 850' PLANTING STRIP
(Symbol)	170. 855' PLANTING STRIP
(Symbol)	171. 860' PLANTING STRIP
(Symbol)	172. 865' PLANTING STRIP
(Symbol)	173. 870' PLANTING STRIP
(Symbol)	174. 875' PLANTING STRIP
(Symbol)	175. 880' PLANTING STRIP
(Symbol)	176. 885' PLANTING STRIP
(Symbol)	177. 890' PLANTING STRIP
(Symbol)	178. 895' PLANTING STRIP
(Symbol)	179. 900' PLANTING STRIP
(Symbol)	180. 905' PLANTING STRIP
(Symbol)	181. 910' PLANTING STRIP
(Symbol)	182. 915' PLANTING STRIP
(Symbol)	183. 920' PLANTING STRIP
(Symbol)	184. 925' PLANTING STRIP
(Symbol)	185. 930' PLANTING STRIP
(Symbol)	186. 935' PLANTING STRIP
(Symbol)	187. 940' PLANTING STRIP
(Symbol)	188. 945' PLANTING STRIP
(Symbol)	189. 950' PLANTING STRIP
(Symbol)	190. 955' PLANTING STRIP
(Symbol)	191. 960' PLANTING STRIP
(Symbol)	192. 965' PLANTING STRIP
(Symbol)	193. 970' PLANTING STRIP
(Symbol)	194. 975' PLANTING STRIP
(Symbol)	195. 980' PLANTING STRIP
(Symbol)	196. 985' PLANTING STRIP
(Symbol)	197. 990' PLANTING STRIP
(Symbol)	198. 995' PLANTING STRIP
(Symbol)	199. 1000' PLANTING STRIP
(Symbol)	200. 1005' PLANTING STRIP



Tree Location Plan

EXTRACTED FROM WORKING DRAWING NOS. 4005853/CI/2011-9012-3011

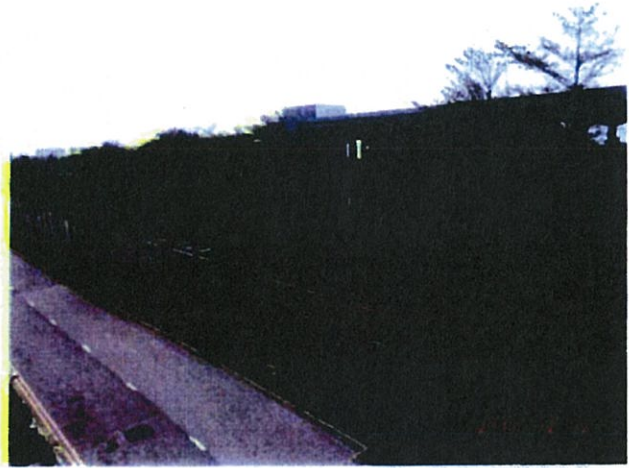


Contract No.: HY/2009/18  
Central - Wan Chai Bypass - Central Interchange

Photo Record of Tree Risk Assessment Form 1 Report - Group 4



Attach\_20180223112039



Attach\_20180223112045



Attach\_20180223112052



Attach\_20180223112059

# Contractor's Submission Form



Leighton Contractors  
(Asia) Limited

39/F Sun Hung Kai Centre  
30 Harbour Road, Hong Kong

t: +852 2823 1111  
f: +852 2529 8784

Ref: H2540/CSF/OPR/03369-R0

Date: - 4 APR 2018

Contract: HY/2009/18 – Central-Wan Chai Bypass - Central Interchange

To: Engineer's Representative, The Chief Resident Engineer Mr. David Kwan

Title of Submission: Tree Risk Assessment Form 1 Report 2018 (Group 5)

Specification:

We are pleased to submit the following for your review and comment

Description:

Reference is made to Variation Order No. V/155 under letter ref. CWB/(HY/2009/18)/C55/800/18B011734 dated 02 January 2018, we submit herewith the Tree Risk Assessment Form 1 Report (Group 5) for your record.

Purpose of Submission:

FOR APPROVAL

FOR RECORD OR INFORMATION

Contractor's Representative

Signature:

Name: Jimmy Chu

Position: Project Manager

Date: 27 March 2018

Distribution: JC / JAC

Prepared by: W/L



Tree Management Information System (TMIS) 樹木管理資訊系統  
Tree Risk Assessment Form 1: Tree Group Inspection  
樹木風險評估表格 1: 樹群檢查

Note: This form is to be completed by the user of the system.  
此表格須由系統使用者填寫。  
Date: 18/02/2018

General Information 基本資料

Dept / Agency 機構: HyD	Inspector Officer 巡查人員: Mr. NG Sze Yuen, Jase	Post 職位: [ ]	C.A. ISA Cert No. HK-1129A
File Ref 檔案編號: C2741/18/IGD0523	Enforcement Officer 巡查人員: Mr. HO Tat Fai, Daniel	Post 職位: [ ]	C.A. ISA Cert No. HK-07617
Date of Inspection 巡查日期: 02/02/2018	Last Inspection Date 上次巡查日期: 17/01/2017		
Agency / Project / Contract No. 合約編號: HY/2000/18			
Inspection Frequency 巡查週期: 12 months			

Location Information 位置資料

Master Zone Departmental Ref. 主區編號: Central	
Sub Zone Departmental Ref. 副區編號: Central - Group 5	
English Location 英文地點: Man Kwong Street and Man Po Street	
Chinese Location 中文地點: 梁完街/保順街	
Tree Risk Management Zone 樹木風險管理地帶類別: <input checked="" type="checkbox"/> category I 第一類 <input type="checkbox"/> category II 第二類 <input type="checkbox"/> category III 第三類	
Nearby Utility Post No. 附近公用設施編號: [ ]	
Location Types 地點類別 (multiple answers allowed 可選多於一項):	<input checked="" type="checkbox"/> Residential Landscaped Area 住宅綠化地帶 <input type="checkbox"/> Public Park/Recreation Venue 公園/康樂場地 <input type="checkbox"/> Remote Country-side 偏遠鄉郊 <input type="checkbox"/> Vacant Government Land 政府閒置土地 <input type="checkbox"/> Others (please specify) 其他 (請說明): [ ]
	<input type="checkbox"/> Central District 中央區 <input type="checkbox"/> Undeveloped Government Land 未發展政府土地 <input type="checkbox"/> Recreational Site/Facilities/Leisure Centre/Park 康樂/公園/康樂中心/公園 <input type="checkbox"/> SIMAR Slopes 系統性斜坡管理責任的斜坡 <input type="checkbox"/> Village Enclave 鄉村範圍

Tree Information 樹木基本資料

The size of a tree group should be defined by location types, such as public park, SIMAR slopes, tree pits, etc. with due consideration given to the limitations of visual tree assessment.  
在決定樹群的大小時，應考慮地點類別，如公園、系統性斜坡管理責任的斜坡、樹格等，並考慮視察的局限。

Main tree species in the group (DBH ≥ 95 mm) and minority tree species of significant size (i.e. approx. DBH ≥ 300 mm) 樹群中主要樹種 (DBH ≥ 95 mm) 及少數樹種 (DBH ≥ 300 mm)	App. No of Trees 約數	Height (m) From 樹高 (米)	Height (m) To 樹高 (米)	Overall Health Condition 整體健康情況	Overall Structural Condition 整體結構狀況
(Please delete the "blank" rows before save. 保存之前，請刪除"空白"行)					
Roystonea regia 大王椰子 (出境)	5	8.0	10.0	Fair 一般	Fair 一般
Melaleuca cajuputi subsp. cumingiana 白千層	3	5.0	8.0	Fair 一般	Fair 一般
Ficus altissima 山欖樹 (出境)	11	8.0	8.0	Fair 一般	Fair 一般
Tabebuia chrysantha (syn. Tabebuia chrysostrichia) 黃連木 (出境)	11	5.0	6.0	Fair 一般	Fair 一般
Terminalia mantaly Tricolour 錦葵樹	32	5.0	6.5	Fair 一般	Fair 一般

Total No. of Trees 樹木總數: 62	No. of rows to be added: 1	Add Row	Delete Row
-----------------------------	----------------------------	---------	------------

Overall Remarks 整體評語

This assessment recorded 62 nr. existing trees within the boundary. No registered Old and Valuable Tree or protected species was recorded. The general health and form of the trees are fair. Pruning work is recommended to following tree: retained trees T1472, T1473, T1471, T1475 and T1476, transplanted trees T1445 to T1455.

3 nos. of Melaleuca cajuputi subsp. cumingiana to be maintained by LCSD Tree Team.

Target 目標

Target (people or property potentially affected by tree/branch failure) 目標 (可能受樹或枝條倒塌而受影響的人或財物)

Does target exist? 目標物是否存在?  Yes / 是  No / 否

Can target be moved? 能否移動目標物?  Yes / 是  No / 否

Can the use of site be restricted? 可否限制場地的使用?  Yes / 是  No / 否

Frequency of use of location 使用地點的頻密程度:

Occasional Use 偶爾使用  Intermittent Use 間歇性使用  Frequent Use 頻密使用  Constant Use 經常使用

Identification of Trees for Remedial Action or Detailed Tree Risk Assessment (Form 2) 識別樹木以採取風險減低措施或進行詳細樹木風險評估 (表格 2)

Trees falling under the following criteria 符合下列任何一項的樹木	Number of trees 樹木數目	Remedial action or detailed tree risk assessment (Form 2) 採取風險減低措施或進行詳細樹木風險評估 (表格 2)	Anticipated Completion Date 預計完成日期	Actual Completion Date 實際完成日期
(1) Old and Valuable Tree (OVT) 古樹/名木				



(2) Stonewall tree 石牆樹					
(3) Trees on complaint list with structural or health problems 投訴個案中有結構或健康問題的樹木					
(4) Trees belonging to species with brittle wood structure and having unsatisfactory health or structural conditions with failure potential 屬木質脆弱品種而健康或結構欠佳的面具倒塌風險的樹木					
(5) Tree with major defects or health problems 有明顯缺陷或健康問題的樹木					
(6) Trees growing in very stressful site conditions with failure potential 生長於非常擠壓環境的樹木並有樹枝或樹幹倒塌風險					
(7) Mature trees 已屆成熟樹齡					

Summary of Statistic on TRIAGE Trees 分級樹木統計總結

Black 黑		Red 紅		Yellow 黃	
---------	--	-------	--	----------	--

Attached Information 附夾資料

(Maximum 10 attachments and total 25MB allowed 最多可容納10個附件並合計不多於25MB)

Site Plan 場地平面圖 (Provide at least 1 site plan 最少提供一個場地平面圖)	Add Site Plan	Delete Site Plan
1 Attach_20180223115211.pdf Description 說明: Tree Location Plan		

Photo Record 樹木照片 (Provide at least 1 photo record 最少提供一個相片紀錄)	Add Photo Record	Delete Photo Record
1 Attach_20180223115851.JPG Description 說明: General View		
2 Attach_20180223115858.JPG Description 說明: General View		
3 Attach_20180223115905.JPG Description 說明: General View		
4 Attach_20180223115912.JPG Description 說明: General View		
5 Attach_20180223120001.JPG Description 說明: General View		
6 Attach_20180223120008.JPG Description 說明: General View		
7 Description 說明:		
8 Description 說明:		
9 Description 說明:		

Other Attachments 其他附件 (Please specific 請註明)	Add Others	Delete Others
1 Subject Title 標題: Description 說明:		

Note 注意

Please read in conjunction with TMU's Guidelines on Tree Risk Assessment and Management Arrangement and relevant Technical Circulars promulgated on Development Bureau website www.trees.gov.hk  
請參閱發展局網頁 www.trees.gov.hk 有關管理樹木風險評估安排及管理指引及相關技術通告

**LEGEND**

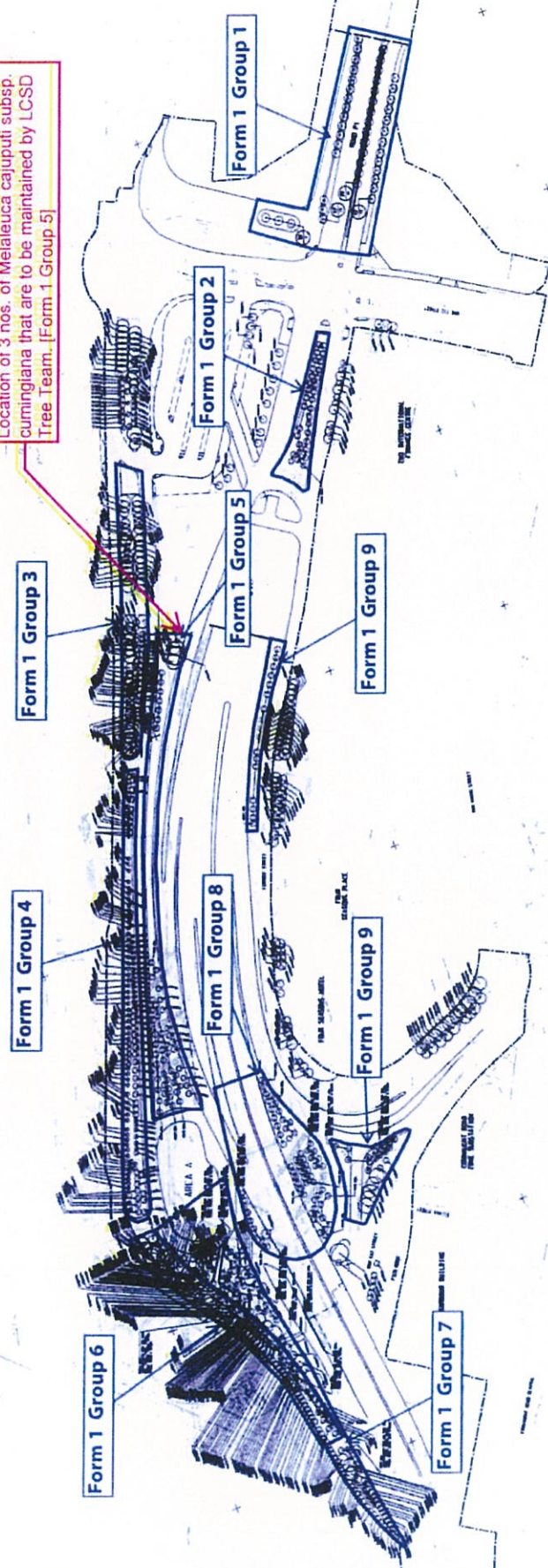
**1. TREE GROUPS**

Tree Group	Tree Species	Quantity	Notes
Form 1 Group 1	Melaleuca cajuputi	3	Subsp. cumingiana
Form 1 Group 2	Melaleuca cajuputi	3	Subsp. cumingiana
Form 1 Group 3	Melaleuca cajuputi	3	Subsp. cumingiana
Form 1 Group 4	Melaleuca cajuputi	3	Subsp. cumingiana
Form 1 Group 5	Melaleuca cajuputi	3	Subsp. cumingiana
Form 1 Group 6	Melaleuca cajuputi	3	Subsp. cumingiana
Form 1 Group 7	Melaleuca cajuputi	3	Subsp. cumingiana
Form 1 Group 8	Melaleuca cajuputi	3	Subsp. cumingiana
Form 1 Group 9	Melaleuca cajuputi	3	Subsp. cumingiana

**2. OTHER FEATURES**

- Proposed Road
- Proposed Path
- Proposed Structure
- Proposed Planting Area
- Proposed Tree Location
- Proposed Tree Group
- Proposed Tree Species
- Proposed Tree Quantity
- Proposed Tree Notes

Location of 3 nos. of Melaleuca cajuputi subsp. cumingiana that are to be maintained by LCSD Tree Team. [Form 1 Group 5]





Contract No.: HY/2009/18  
Central - Wan Chai Bypass - Central Interchange

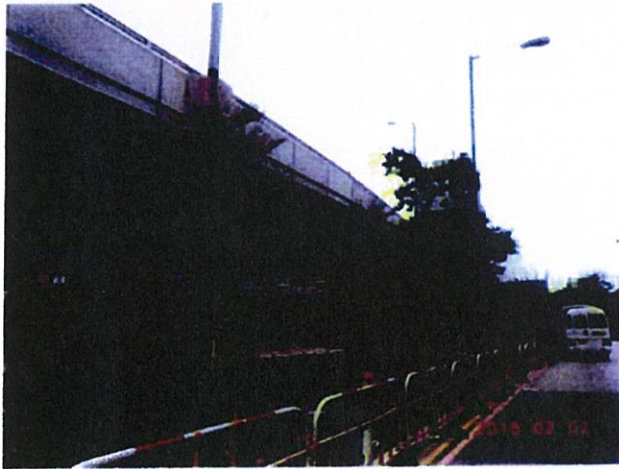
Photo Record of Tree Risk Assessment Form 1 Report - Group 5



Attach\_20180223115851



Attach\_20180223115858



Attach\_20180223115905



Attach\_20180223115912



Attach\_20180223120001



Attach\_20180223120008





AECOM  
 8/F, Grand Central Plaza, Tower 2,  
 138 Shatin Rural Committee Road,  
 Shatin, Hong Kong  
 香港新界沙田鄉事會路 138 號  
 新城市中央廣場第 2 座 8 樓  
 www.aecom.com

Engineer's Representative's Office  
 Room 1401-06, 14/F., Eastern Centre,  
 1065 King's Road, Quarry Bay, H.K.  
 香港鰂魚涌英皇道 1065 號  
 東達中心 14 樓 1401-06 室  
 +852 3650 1600 tel  
 +852 3665 0106 fax

Your Ref. : -  
 Our Ref. : CWB/(HY/2009/18)/C55/500/18B011836



18B011836

4 July 2018

Leisure and Cultural Services Department  
 Leisure Services Branch  
 Leisure Services Branch - Division 2  
 Leisure Management/Hong Kong West  
 Hong Kong West Tree Team  
 4/F., Sun Yat Sen Memorial Park Sports Centre,  
 18 Eastern Street North,  
 Sai Ying Pun,  
 Hong Kong.

Attn.: Ms. Chow Ka Wai, Samantha

Dear Madam,

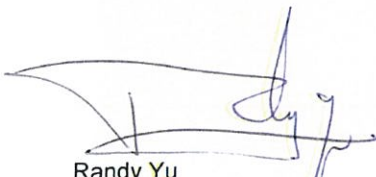
**Contract No. HY/2009/18**  
**Central-Wan Chai Bypass – Central Interchange**

**Handover of Tree Nos. T3005, T3007 and T3010 located at Man Kwong Street**

----- Further to the expiry of the period for the Establishment Works of the captioned three nos. of trees (as shown on the enclosed Sketch No. 60095653/CI/SK1169A) on 3 July 2018, I note that your department is satisfied with the condition of the trees and has no objection to taking over the horticultural maintenance thereof with effect from 4 July 2018.

Should you have any queries, please free feel to contact my RE, Mr. Nelson Chin at 6461 8784.

Yours faithfully,  
 For and on behalf of  
 AECOM Asia Co. Ltd.



Randy Yu  
 Senior Resident Engineer

Encl.			
c.c.	CE3/MW, HyD	- Attn : Mr. W.K. Lo	] – w/encl.
	File	- M15/920	] – w/encl.
e.c.	AECOM	Attn.: Mr. Alex Li / Ms. Ivy Chung	
	RSS	PP, DK, YN, SCL	
Response required	:	Yes / No	

RY/NC/AWHC/CFC/al

PLANTING SCHEDULE TREE PLANTING

BOTANICAL NAME	CHINESE NAME	QUANTITY	REMARK
MELALEUCA LEUCADENDRON	6-#	3	ALL TREES ARE COMPENSATORY TREE

834460 #

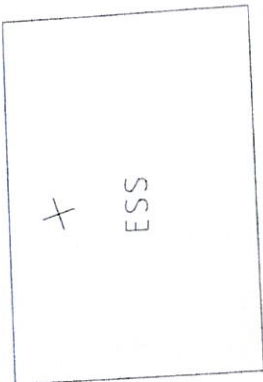
LEGEND:

- SITE BOUNDARY
- ⊙ (1300511) FINAL LOCATION OF TRANSPLANTED TREE



MAN KWONG STREET

MAN PO STREET



1300511  
1300711  
1301011

+5.3

5.5

+6.5

A	B	C	D	E	F	G	H	I	J
APPROV FOR RECORD	DATE	BY	CHK	NC	SY	CMC	NC	SY	CMC
FOR CONSTRUCTION	DATE	BY	CHK	NC	SY	CMC	NC	SY	CMC
Drawn	Prepared	Checked							



CENTRAL - WAN CHAI BYPASS AND IEC LINK  
CENTRAL - WAN CHAI BYPASS  
CENTRAL INTERCHANGE

TITLE:  
TREE PLANTING PLAN FOR T3005, T3007 AND T3010  
NEXT TO EXISTING ESS AT MAN PO STREET

SKETCH NO. 60095653/C1/SK1169A SCALE 1:400(1:1)



AECOM  
 8/F, Grand Central Plaza, Tower 2,  
 138 Shatin Rural Committee Road,  
 Shatin, Hong Kong  
 香港新界沙田鄉事會路 138 號  
 新城市中央廣場第 2 座 8 樓  
 www.aecom.com

Engineer's Representative's Office  
 Room 1401-06, 14/F., Eastern Centre,  
 1065 King's Road, Quarry Bay, H.K.  
 香港鰂魚涌英皇道 1065 號  
 東達中心 14 樓 1401-06 室  
 +852 3650 1600 tel  
 +852 3665 0106 fax

Your Ref. : -  
 Our Ref. : CWB/(HY/2009/18)/M55/550/18B011735



18B011735

2 January 2018

Refer to Distribution List

Dear Sirs,

**Agreement No. CE5/95  
 Design and Construction of Central – Wan Chai Bypass and Island Eastern Corridor Link  
 Supplementary Agreement No. 3 – Design, Tender and Construction Phases**

**Contract No. HY/2009/18  
 Central-Wan Chai Bypass – Central Interchange**

**Handover of Finance Street Footpath**

Following the completion of the follow-up action on the Tree Nos.TA001, TA002 and T2006 previously regarded as outstanding works upon the handover and opening of Finance Street footpath on 6 November 2017 as recorded in the Notes of the Meeting (enclosed in my letter ref.CWB/(HY/2009/18)/M55/550/18B011715 of 20 November 2017 attached herewith) on the final handover inspection of the Finance Street footpath conducted on 2 November 2017 and as concurred further in the e-mail of 27 November 2017 on the same between Messrs. Dickie Hang (IFC) and Randy Yu (SRE) as per attached, i.e. IFC having been reimbursed by Leighton (C18 Contractor) on 28 December 2017 for the cost of re-planting the above-mentioned three trees, the 11 compensation trees at Finance Street, together with the corresponding establishment works, is deemed to have been taken over by IFC Management Co., Ltd. of even date.

In light of the above, I would take this opportunity to reiterate and record that all the completed civil works (inclusive of the pedestrian pavement lights and tree lights) and the landscaped works at Finance Street footpath were handed back to IFC Management Co., Ltd. on 6 November 2017 and 28 December 2017 respectively; and the associated maintenance/upkeep responsibilities shall be assumed by IFC Management Co., Ltd thereon.

Yours faithfully,  
 For and on behalf of  
 AECOM Asia Co. Ltd.

David Kwan  
 Chief Resident Engineer

Encl.  
 c.c. AECOM - Attn.: Mr. Conrad Ng ] - w/encl.  
 e.c. AECOM - Attn.: Mr. Alex Li / Ms. Ivy Chung  
 RSS - PP, YN  
 Response required : Yes/ No

DK/RY/NC/AW/HC/al





Our Ref. CWB/(HY/2009/18)/M55/550/18B011735

Distribution List

Highways Department  
Major Works Project Management Office  
3/F., Ho Man Tin Government Offices,  
88 Chung Hau Street,  
Ho Man Tin,  
Kowloon,  
Hong Kong.

Attn.: Mr. Chow Chun Pong

International Finance Centre Management Co., Ltd.  
Suite 1710, 17/F., One International Finance Centre,  
1 Harbour View Street,  
Central,  
Hong Kong.

Attn.: Mr. Dickie Hang

Leighton Contractors (Asia) Ltd.  
39/F., Sun Hung Kai Centre,  
30 Harbour Road,  
Hong Kong.

Attn.: Mr. Norman Croker



AECOM  
8/F, Grand Central Plaza, Tower 2,  
138 Shatin Rural Committee Road,  
Shatin, Hong Kong  
香港新界沙田鄉事會路 138 號  
新城市中央廣場第 2 座 8 樓  
www.aecom.com

Engineer's Representative's Office  
Room 1401-06, 14/F., Eastern Centre,  
1065 King's Road, Quarry Bay, H.K.  
香港鰂魚涌英皇道 1065 號  
東運中心 14 樓 1401-06 室  
+852 3650 1600 tel  
+852 3665 0106 fax

Your Ref. : -  
Our Ref. : CWB/(HY/2009/18)/M55/550/18B011715

20 November 2017



18B011715

Refer to Distribution List

Dear Sirs,

**Agreement No. CE5/95**  
**Design and Construction of Central – Wan Chai Bypass and Island Eastern Corridor Link**  
**Supplementary Agreement No. 3 – Design, Tender and Construction Phases**

**Contract No. HY/2009/18**  
**Central – Wan Chai Bypass – Central Interchange**

**Notes of Meeting for Final Handover Inspection of Finance Street Footpath**

----- I enclose herewith the notes of meeting for final handover inspection of Finance Street footpath being held on 2 November 2017 for your record.

Yours faithfully,  
For and on behalf of  
AECOM Asia Co. Ltd.

David Kwan  
Chief Resident Engineer

Encl.

c.c. File - M15/920 ] – w/encl.

e.c. AECOM - Attn.: Mr. Alex Li / Ms. Ivy Chung  
RSS - PP, YN, AWHC

Response required : Yes / No

DK/RV/NC/STS/al



Our Ref. : CWB/(HY/2009/18)/M55/550/18B011715

Distribution List

Highways Department  
Major Works Project Management Office  
3/F., Ho Man Tin Government Offices,  
88 Chung Hau Street,  
Ho Man Tin,  
Kowloon,  
Hong Kong

Attn.: Mr. Chow Chun Pong

International Finance Centre Management Co., Ltd.  
Suite 1710, 17/F., One International Finance Centre,  
1 Harbour View Street,  
Central,  
Hong Kong

Attn.: Mr. Dickie Hang

Leighton Contractors (Asia) Ltd.  
39/F., Sun Hung Kai Centre,  
30 Harbour Road,  
Hong Kong

Attn.: Mr. Norman Croker





**Notes of Meeting**

**Meeting Date / Time:** 2 November 2017, 3:00 p.m. – 4:30 p.m.

**Venue:** Footpath at Finance Street, Central

**Project:** Contract No. HY/2009/18  
Central-Wan Chai Bypass – Central Interchange

**Subject:** Final Handover Inspection of Finance Street Footpath

**Distribution:** Highways Department, AECOM, International Finance Centre Management Co. Ltd. (IFC), Premium Plus & Leighton Contractors (Asia) Ltd (LCAL).

**Present:**

Mr. W.K. Lo, Engineer	} Highways Department (HyD)
Mr. Randy Yu, SRE	} AECOM (AECOM)
Ms. Yo Yo Ng, SRLA	}
Mr. Nelson Chin, RE	}
Mr. Dickie Hang	} Premier Plus/ IFC
Mr. C.S. Wong	}
Mr. Cyrus Cheung	}
Ms. Yammie Lam	}
Mr. Jackie Chan	} Leighton Contractors (Asia) Ltd. (LCAL)
Miss. Wayne Law	}

NOTES OF MEETING CONTINUATION SHEET		Meeting Date :	2 November 2017
Pre-handover Inspection of Finance Street Footpath with IFC			
ITEM	ITEM DISCUSSED	ACTION	
1.0	<b>General</b>		
1.1	AECOM/RSS stated that the purposed of this meeting was to discuss the handing over of IFC footpath at Finance Street	Noted	
2.0	<b>Outstanding and Defective Items</b>		
2.1	AECOM reported that the outstanding and defective items being identified from the previous pre-handover inspection dated 7 September 2017 were completed and rectified. Premium Plus/IFC agreed that the outstanding and defective items were acceptable.	Noted	
2.2	AECOM suggested to open the Finance Street footpath and subsequent to close Man Yiu Street footpath for carrying out the replacement of floor lights. Premium Plus/ IFC had no comment to the proposal but requested Leighton to clean up the area before opening the Finance Street footpath. It was confirmed that the footpath would be opened to public at 10:00 a.m. on 6 November 2017 and a final joint site inspection would be held before opening.	LCAL	
3.0	<b>Roadside Trees along IFC Footpath at Finance Street</b>		
3.1	Premium Plus/IFC stated that the maintenance of roadside trees along footpath of Finance Street (refer to enclosed Tree Preservation Plan and tree record photos) was generally acceptable except on the condition of Tree Nos. TA001, TA002 and T2006. AECOM explained that these trees were healthy without any signs of damage. The appearance of the trees might not be visually pleasing causing by the sunlight blocking by branches of adjacent trees. Premium Plus/ifc stated that these trees were far from acceptable and requested to replace these three trees with conditions similar to Tree No. 2009. [Post meeting notes: It was agreed in subsequent discussion on 16 November 2017 that LCAL would compensate three trees with condition and standard similar to Tree No. 2009 for IFC planting. IFC would take up the horticultural maintenance of all eleven trees along Finance Street footpath immediately after re-planting of TA001, TA002 and T2006 by IFC's landscape contractor.]	Noted	
3.2	Premium Plus/IFC requested that the lower branches of Tree Nos. T2001, T2002, T2003, T2004 and T2005 should be pruned to maintain sufficient headroom (min. 5.5m) for buses. Premium Plus/IFC also requested that branches of Tree Nos. T2004 and T2005 that were blocking sunlight to adjacent trees to be pruned as well in order to promote sunlight penetration to Tree Nos. TA001 and TA002 (refer to enclosed tree pruning photos).	Noted	
3.3	Due to the bulging of the tree cover from the main roots of Tree No. T2005, Premium Plus/IFC also requested that the main roots of Tree No. T2005 could be pruned such that the tree cover would be adjusted and levelled with footpath. AECOM/RSS stated that they would not carry out root pruning work in view of possibly harming the tree health.	Noted	
3.4	The inspection was adored at 4:30 p.m..		



NO.	DATE	DESCRIPTION	BY	CHECKED
1		ISSUED FOR RECORD		
<b>AECOM</b>				
CENTRAL - WAN CHAI BYPASS AND BEC LINK CENTRAL - WAN CHAI BYPASS CENTRAL INTERCHANGE				
TITLE: TREE PRESERVATION PLAN				
EXTRACTED FROM WORKING DRAWING NOS. 6005653/CI/P012-9013				
SKETCH NO. 6005653/CI/75K1279				
SCALE 1:1000				





AECOM  
8/F, Grand Central Plaza, Tower 2,  
138 Shatin Rural Committee Road,  
Shatin, Hong Kong  
香港新界沙田鄉事會路 138 號  
新城市中央廣場第 2 座 8 樓  
www.aecom.com

Engineer's Representative's Office  
Room 1401-06, 14/F., Eastern Centre,  
1065 King's Road, Quarry Bay, H.K.  
香港鰂魚涌英皇道 1065 號  
東達中心 14 樓 1401-06 室  
+852 3650 1600 tel  
+852 3665 0106 fax

Your Ref. : -  
Our Ref. : CWB/(HY/2009/18)/C55/500/18B011825



18B011825

- 6 JUN 2018

4 June 2018

Leisure and Cultural Services Department  
Leisure Services Branch  
Leisure Services Branch - Division 2  
Leisure Management/Hong Kong West  
Central and Western District Leisure Service Office  
Room 1001, 10/F., Sheung Wan Municipal Services Building,  
345 Queen's Road Central,  
Hong Kong.

Attn.: Mr. Lo Ying Hung, Michael

Dear Sir,

**Contract No. HY/2009/18**  
**Central-Wan Chai Bypass – Central Interchange**

**Handover of Planters at Portion VI of the Site**

I refer to the recent joint inspections amongst Mr. Michael Lo and his team (LCSD), Mr. Michael Cheng and Mr. Cheung Cheuk Wai (AECOM) and Miss Wayne Law (LCAL) of the planters within Portion VI  
----- of the Site prior to handover thereof as shown in the enclosed planting layout plans (**Annex A**).

I note that your department is satisfied with the condition of the plants thereat and the associated irrigation system and has no objection to taking over the horticultural maintenance thereof with effect from 28 April 2018 inclusive.

----- Moreover, I enclose herewith the drawings of irrigation system for these planters (**Annex B**), photos  
----- taken during the final handover inspection (**Annex C**) and also the Tree Risk Assessment Form 1  
----- Report 2018 (**Annex D**) for your record.

I would also record that the plants at Kong Chung Lane planter and Planter C, albeit acceptable to your department, are not ready for handover as they are still within the construction site of Contract No. HY/2011/08 and your maintenance contractor working there will not be duly covered by the insurance. Under such circumstances, it is mutually consented that these planters would be maintained continuously by the contractor of Central-Wan Chai Bypass Project (Contract No. HY/2011/08) until these planters are accessible via public roads. The planting layout plans and the record photos of  
----- these planters taken during the inspections is enclosed for your record (**Annex E**).

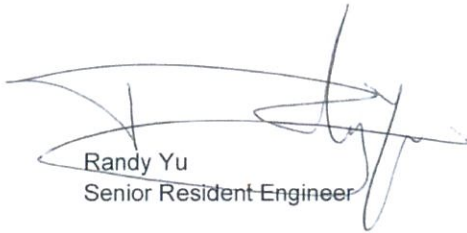
Should you have any queries, please free feel to contact my RE, Mr. Nelson Chin at 6461 8784.

**AECOM**

P.2

Your Ref. : -  
Our Ref. : CWB/(HY/2009/18)/C55/500/18B011825

Yours faithfully,  
For and on behalf of  
AECOM Asia Co. Ltd.



Randy Yu  
Senior Resident Engineer

Encl.

c.c.	CE3/MW, HyD	- Attn : Mr. W.K. Lo	] - w/encl.
	File	- 115/920	] - w/encl.
e.c.	AECOM	- Attn.: Mr. Alex Li / Ms. Ivy Chung	
	RSS	- PP, DK, YN	

Response required : Yes / No

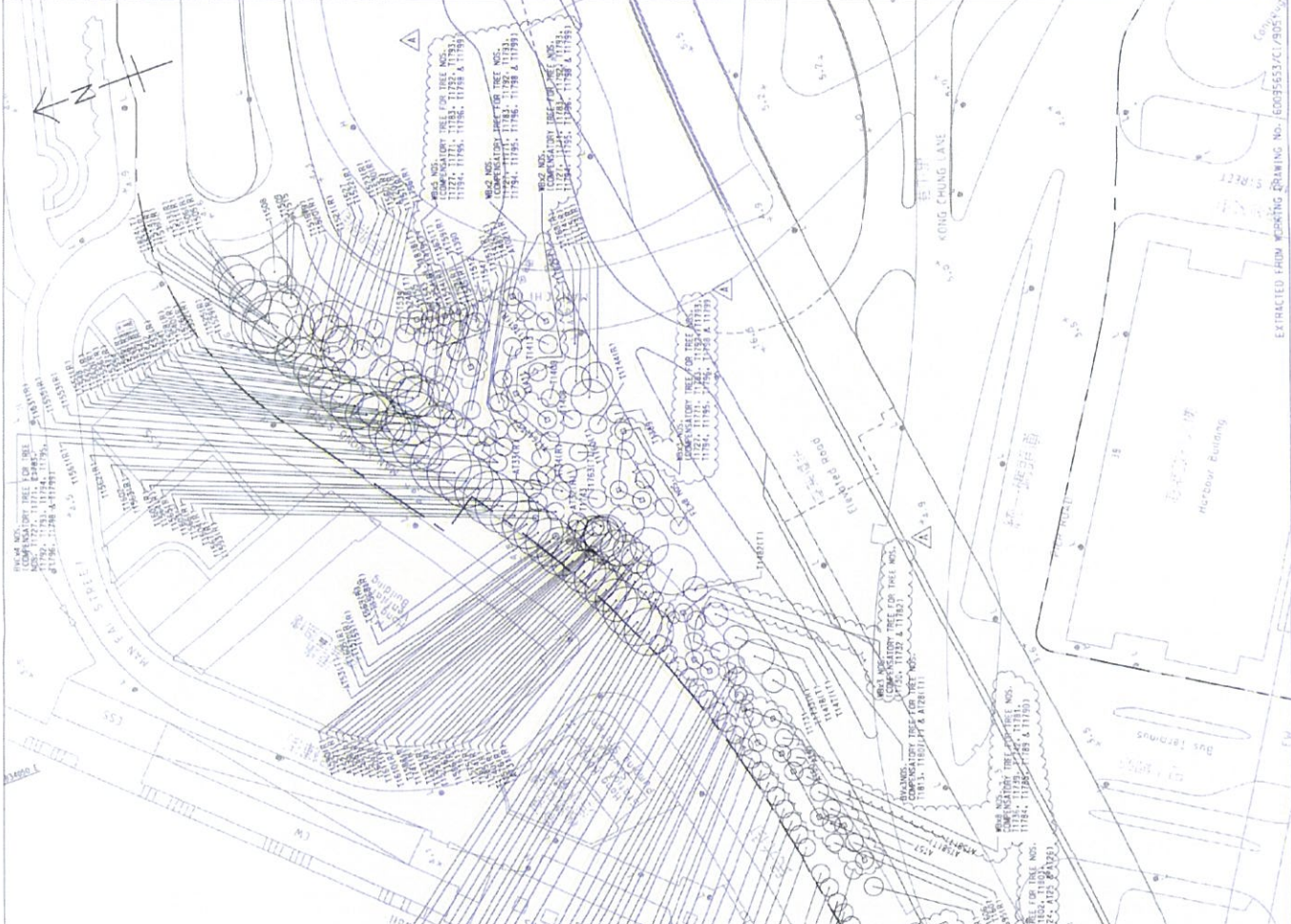
/RY/NO/AWHC/CFC/al

# **Annex A**

## **Planting Layout Plan**



CODE	BOTANICAL NAME	CHINESE NAME	SIZE	SPACING (MM)	QUANTITY
FE	TERMINALIA MANTALI FRUGOSA	底葉樹	HEAVY STANDARD	AS SHOWN	8
BY	BALPINKIA VARIEGATA	紫粉洋桐	HEAVY STANDARD	AS SHOWN	3
BVC	BALPINKIA VARIEGATA VAR. CANDIDA	白粉洋桐	HEAVY STANDARD	AS SHOWN	4
WB	WIDYETIA BITURICATA	紅刺楸	HEAVY STANDARD (CROWN HEIGHT 4m)	AS SHOWN	32



**KEY PLAN**  
SCALE: A1: 1:5000  
A2: 1:3000

**NOTE:**  
1. THIS DRAWING SHALL BE READ IN CONJUNCTION WITH DRAWING NO. E0095653/CI/3001.

- LEGEND:**
- SITE BOUNDARY
  - EXISTING TREE TO BE RETAINED
  - PROPOSED TREE PLANTING
  - FINAL LOCATION OF TRANSPLANTED TREE AFTER CONSTRUCTION WORKS
  - COMPLEMENTARY TREE WITH HEAVY
  - PROPOSED PALM PLANTING

REV	DATE	BY	CHK	DESC
1				FOR RECORD ONLY
2				FOR RECORD ONLY
3				FOR RECORD ONLY
4				FOR RECORD ONLY

**AECOM**

**CENTRAL - WAN CHAI BYPASS AND EC LINK**  
CENTRAL - WAN CHAI BYPASS  
CENTRAL INTERCHANGE

TITLE: TREE PLANTING  
AT MAN CHIU STREET PLANTER  
SKETCH NO. E0095653/CI/3001  
DRAWN BY: [Name]





**KEY PLAN**  
SCALE: A1: 1:5000  
A3: 1:3000

**NOTE:**  
1. THIS DRAWING SHALL BE READ IN CONJUNCTION WITH DRAWING NO. E009553/C1/5K1195.

**LEGEND:**

- SITE BOUNDARY
- SYMBOL CODE
- QUANTITY
- USDF CODE
- QUANTITY

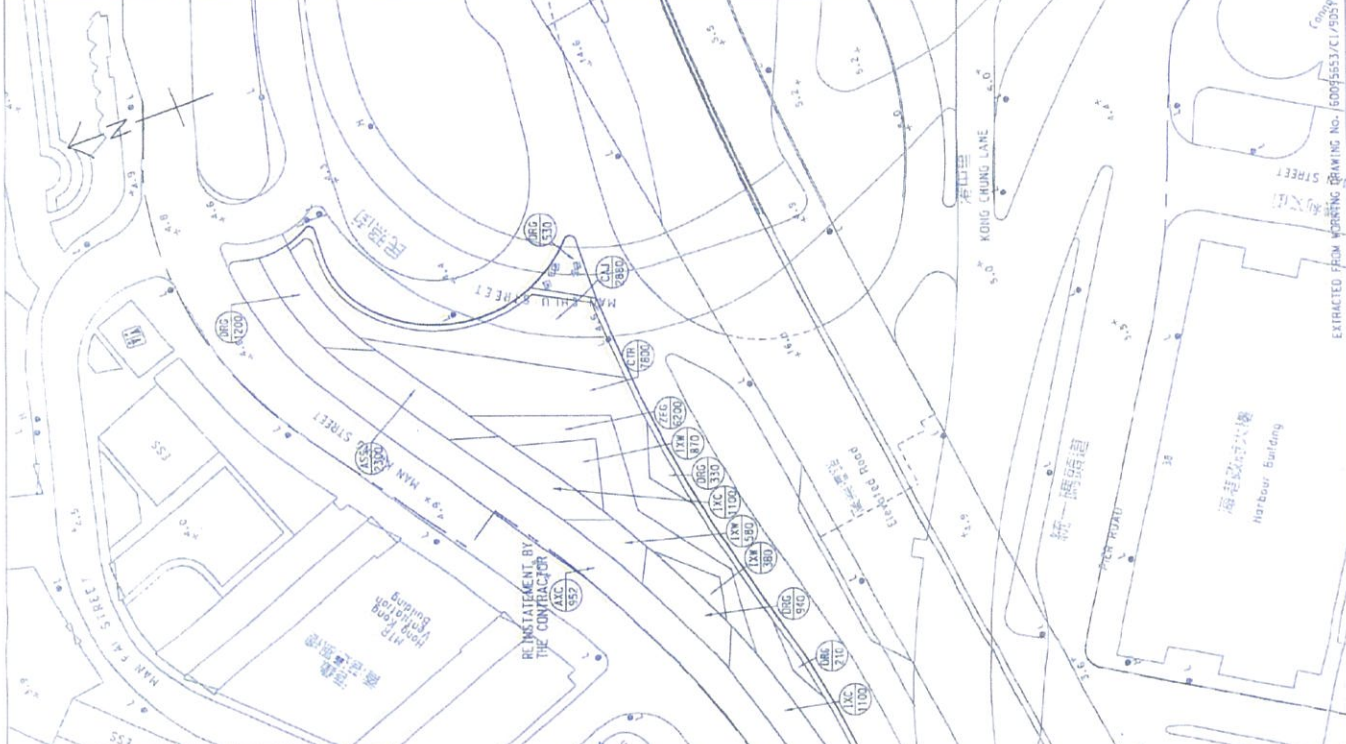
REV.	DATE	DESCRIPTION	BY	CHECKED

**AECOM**

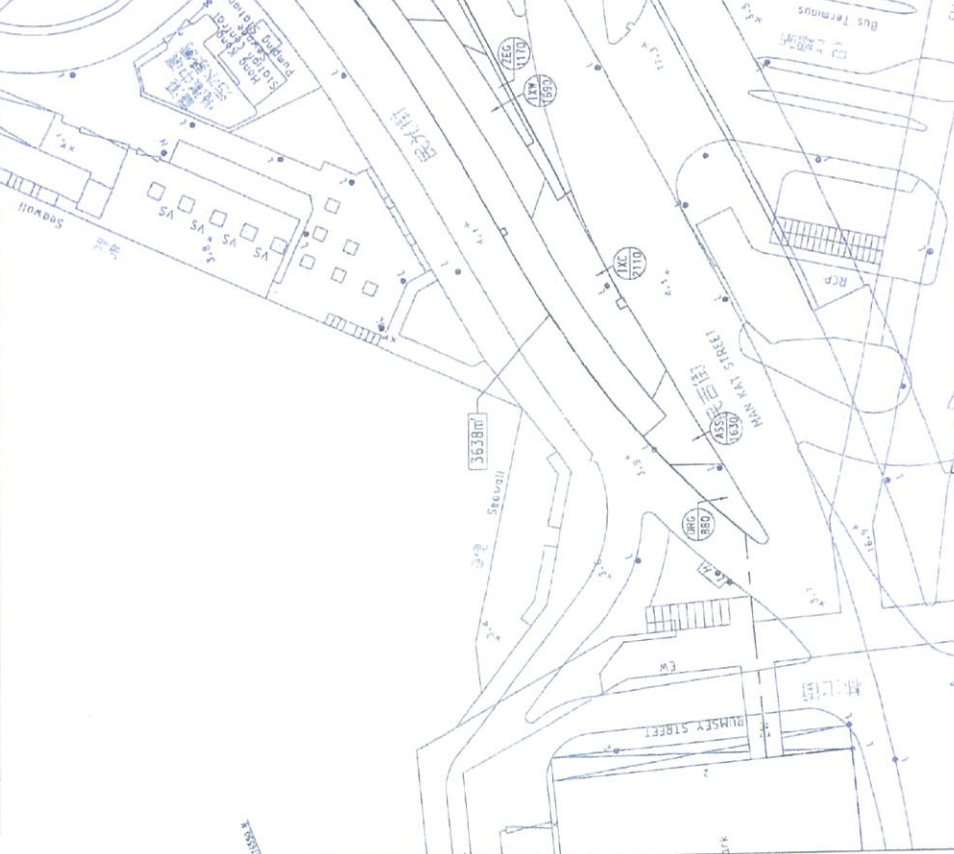
**CENTRAL - WAN CHAI BYPASS AND REC LINK**  
CENTRAL - WAN CHAI BYPASS  
CENTRAL INTERCHANGE

TITLE: SHRUB PLANTING AT MAN CHIU STREET PLANTER

SKETCH NO. E009553/C1/5K1195



PLANTING SCHEDULE	CODE	BOTANICAL NAME	CHINESE NAME	SPECIFICATION (HT, REGION, SPREAD)	SPACING (m)	QUANTITY	REMARKS	COMMENT
SHRUB AND GROUND COVER PLANTING	1K	LEON COCCINEA 'LITA'	洋紫荊	400(H) x 400(S)	300	410	INSTRUCTED BY AECOM	PLANT ALL SPECIES IN A STAGGERED PATTERN
	1W	LEON WILLIAMS 'SUNLIT'	洋紫荊	500(H) x 400(S)	300	280		
	CTA	CORYLIANE TERMINALIS 'FLORIDA'	冬青	500(H) x 400(S)	300	3500		
	DBS	DRYANIS REFURG 'COLDEN'	冬青	400(H) x 400(S)	300	400		
	ZIG	ZEPHYRANTIS DRACUNFLORA	馬蹄	100(H) x 200(S)	300	1700		
GROUND COVER PLANTING	DLI	CHAMILLA JAPONICA	山竹	500(H) x 200(S)	600	2800		
	AS5	APPALAGUS SPERMERII	冬青	200(H) x 200(S)	200	3100		
TURF PLANTING	AS2	ADRENIS COMPRESSUS	冬青	SPILL AS PER V1		512	AS PER US SLABE 2-27	
	AS3	ADRENIS COMPRESSUS	冬青	SPILL AS PER V1		512	AS PER US SLABE 2-27	



EXTRACTED FROM WORKING DRAWING NO. E009553/C1/5K1195

T.M.Y. 2009 18/02/2019 09:03:58m 19/02/2011 09:17:32



**KEY PLAN**  
SCALE 1:1,000

**NOTE:**  
1. THIS PLANTING SHALL BE READ IN CONJUNCTION WITH  
2. Dwg. NO. 60095653/CI/PART.1.

**LEGEND:**

- SITE BOUNDARY
- EXISTING TREE TO BE RETAINED
- PROPOSED TREE PLANTING
- PROPOSED PALM PLANTING

8	THORNE FOR RECORD ONLY	KYH	CNC	HC
A	250MM FOR RECORD ONLY	KYH	CNC	HC
-	200MM FOR RECORD ONLY	KYH	CNC	HC

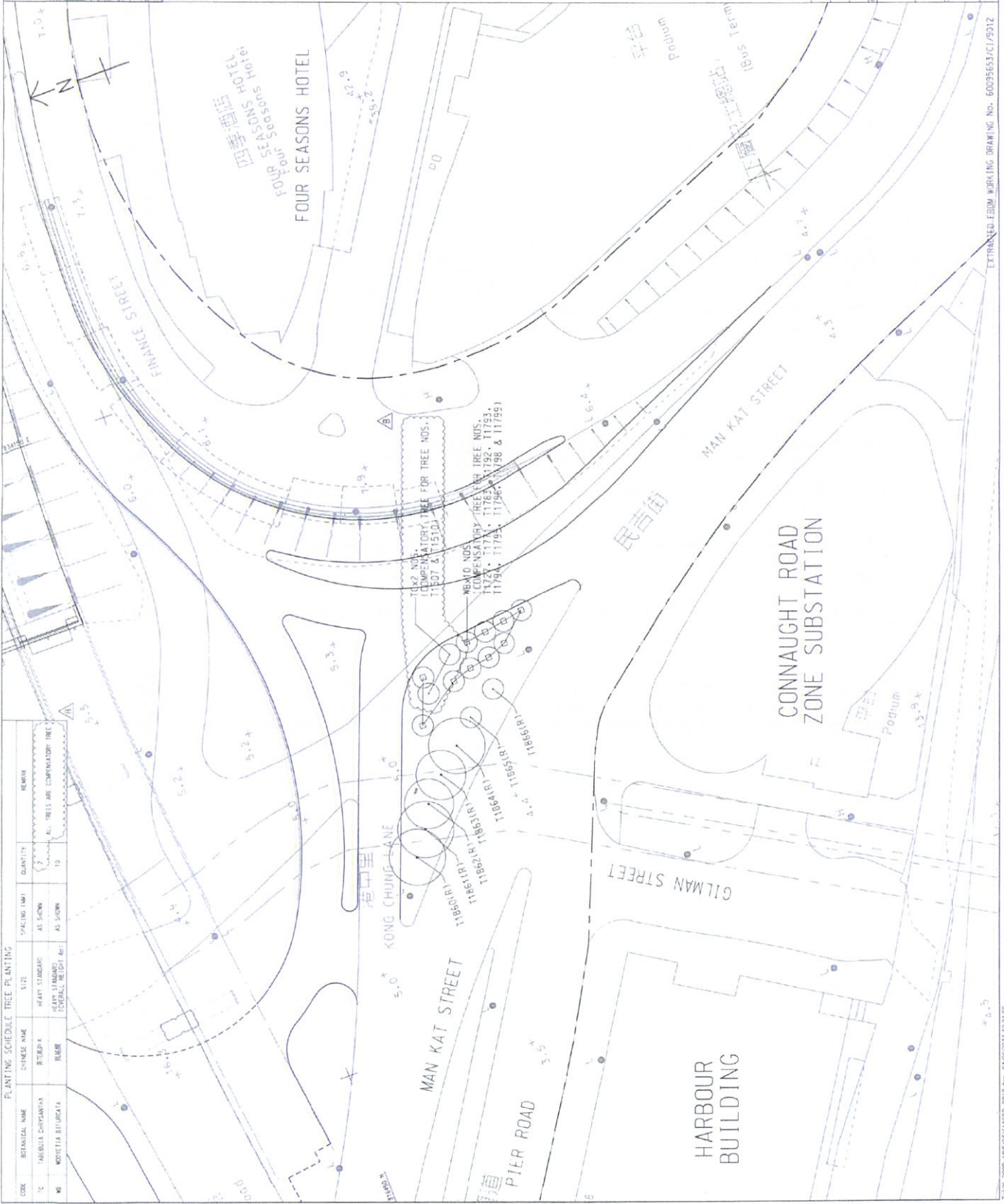
**AECOM**

CENTRAL - WAN CHAI BYPASS AND IEC LINK  
CENTRAL INTERCHANGE

TITLE:  
TREE PLANTING PLAN  
AT KONG CHUNG LANE PLANTER

SKETCH NO. 60095653/CI/1989

DATE 1/10/2018



**PLANTING SCHEDULE TREE PLANTING**

CODE	BOTANICAL NAME	CHINESE NAME	SIZE	PLANTING TIME	QUANTITY	REMARK
TC	FABRICA CHRISTIANA	紅仔樹	HEAVY STANDING PLANT STANDARD (CORRELLA HEIGHT 40)	AS SHOWN	2	ALL TREES ARE COMPENSATORY TREE
WB	WOLFFIA BIUGALIA	銀葉	PLANT STANDARD (CORRELLA HEIGHT 40)	AS SHOWN	10	





**KEY PLAN**  
SCALE: 1:1,000

**NOTE:**  
ALL PLANTING SHALL BE READ IN CONJUNCTION WITH THE DETAILED SPECIFICATIONS.

**LEGEND:**

- SITE BOUNDARY
- SHARP CORNER
- QUANTITY

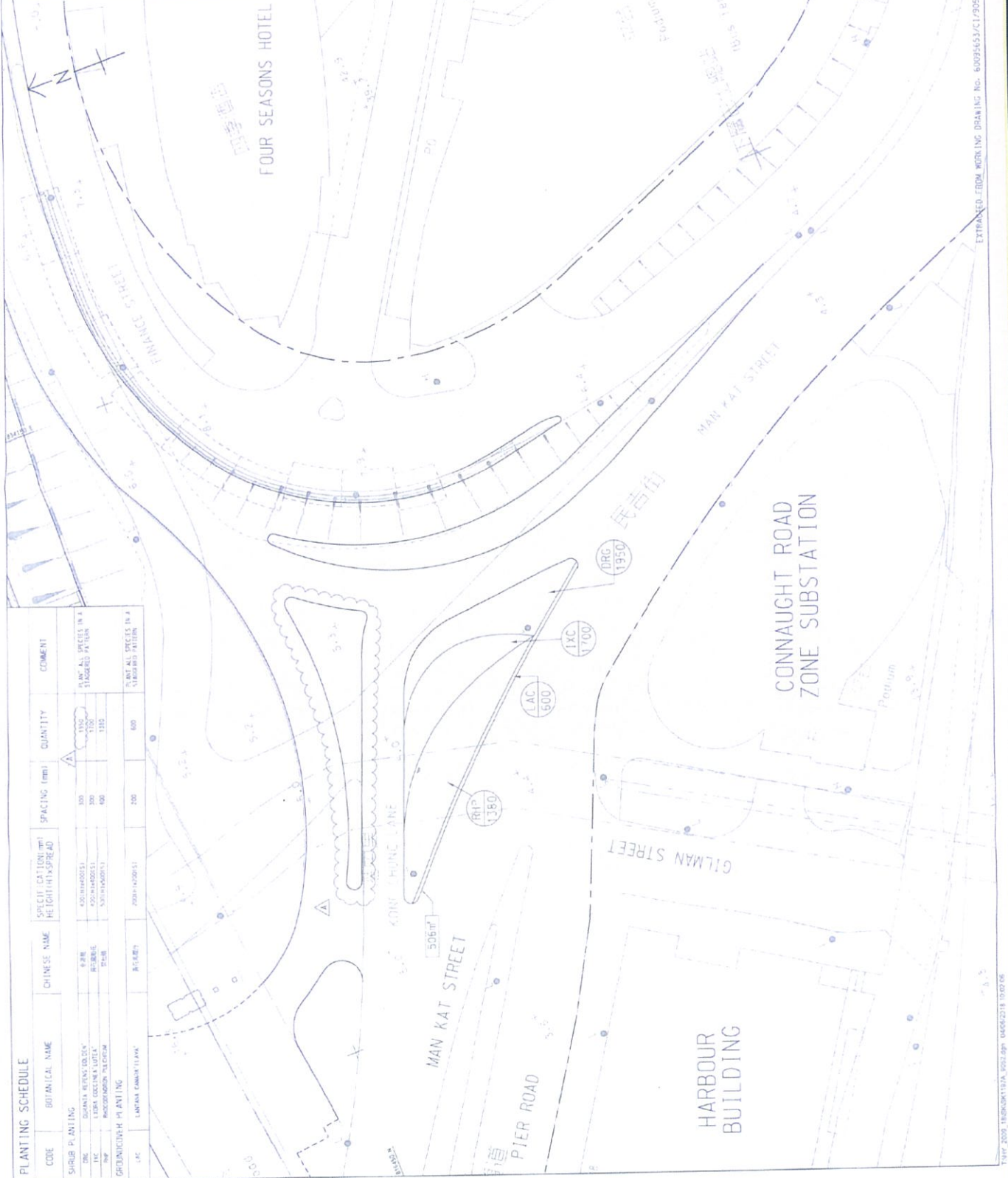
1	FOR RECORD ONLY	DATE: 14/11/2008	BY: [Signature]
2	FOR RECORD ONLY	DATE: 14/11/2008	BY: [Signature]

**AECOM**

**CENTRAL WAN CHAI BYPASS AND IEC LINK**  
L1 INITIAL - WAN CHAI BYPASS  
CENTRAL INTERCHANGE

**TITLE:**  
SHURUB PLANTING PLAN  
AT KONG CHONG LANE PLANTER

**SKETCH NO.:** 60094653/CI/5K1197A

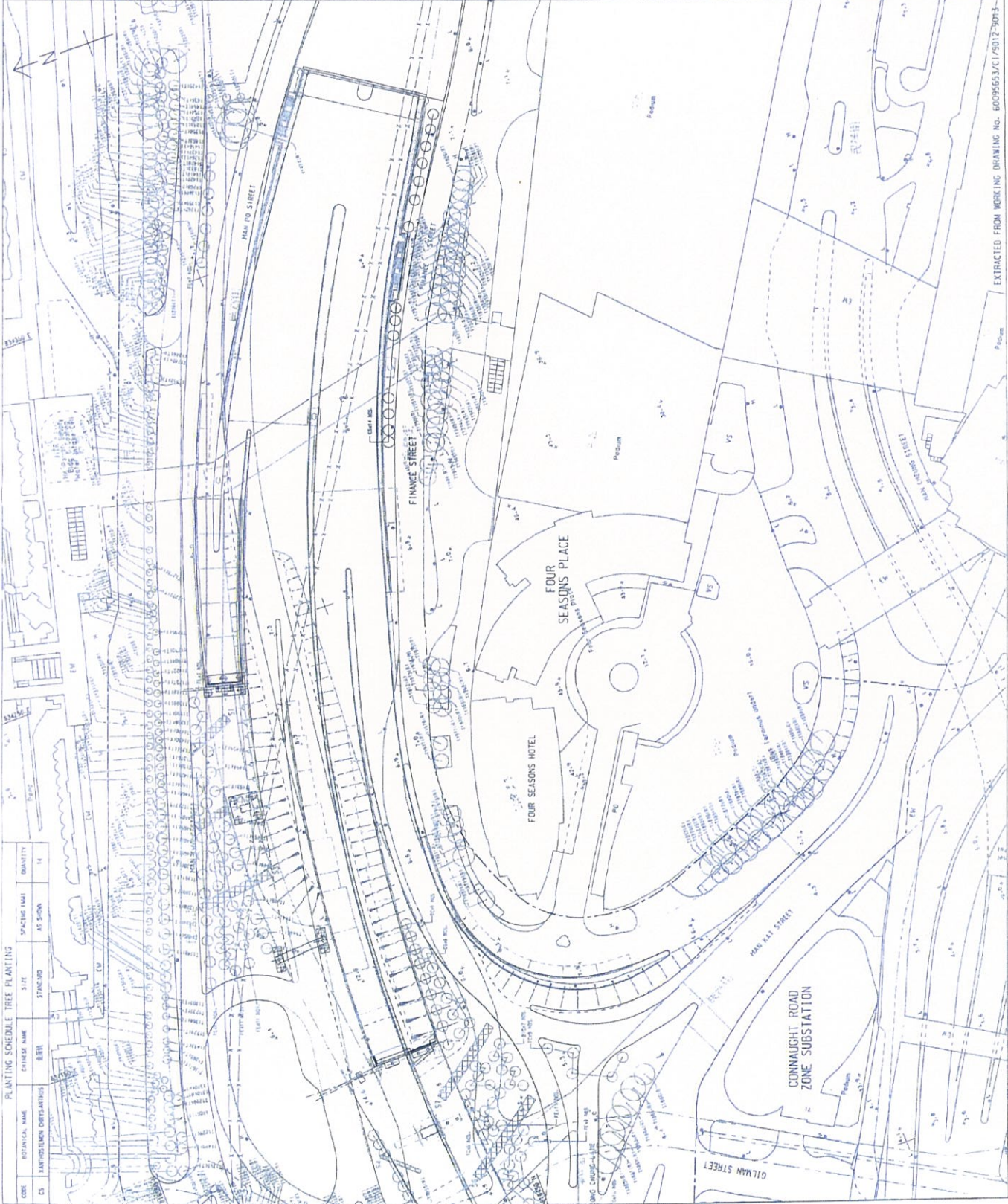


PLANTING SCHEDULE	CODE	BOTANICAL NAME	CHINESE NAME	SPECIFIC CAUTION (M) HEIGHT (M) x SPREAD (M)	QUANTITY	COMMENT
SHURUB PLANTING	DRG	QUINCY QUERCUS QUERCUS	白栎	400(H) x 400(S)	300	PLANTING IN A STAGGERED PATTERN
	LXC	LEUCA COCCINEA LUTEA	紅花白木	300(H) x 300(S)	1500	
	LAC	ACACIA GUMMIFERA	金合欢	400(H) x 400(S)	1500	
GROUND COVER PLANTING	LIC	LAURUS CAMBODIENSIS	月桂	200(H) x 200(S)	600	PLANT ALL SPECIES IN A STAGGERED PATTERN

EXTENDED FROM WORKING DRAWING NO. 60094653/CI/2052



PLANTING SCHEDULE TREE PLANTING				
CODE	BOTANICAL NAME	COMMON NAME	SPACING (MM)	QUANTITY
C5	ANTHOTHORAX ORNSTADTII	BIRCH	AS SHOWN	14
			STANDARD	



**KEY PLAN**  
SCALE: A1 : 1:2000

**NOTE:**  
1. ALL TREE PLANTING SHALL BE AS IN CONFORMANCE WITH THE 'BEST MANAGEMENT PRACTICES' (BMP) FOR LAND DEVELOPMENT.

**LEGEND:**

○ PROPOSED TREE PLANTING

NO.	DATE	BY	CHK
1	14/08/2013	W. CHAI	W. CHAI

**AECOM**

CENTRAL - WAN CHAI BYPASS AND IEC LINK  
CENTRAL - WAN CHAI BYPASS  
CENTRAL - WAN CHAI BYPASS

TITLE: TREE PLANTING PLAN FOR B. MASTER ALONG FINNANCE STREET

SKETCH NO. 60095653/CI/5K1196

EXTRACTED FROM WORKING DRAWING NO. 60095653/CI/5012-5013 SHEET NO. 11/2013





**KEY PLAN**  
 SCALE: 1:4000  
 DATE: 11/05/2009

**NOTE:**  
 1. THIS DRAWING SHALL BE READ IN CONJUNCTION WITH  
 Dwg. No. 60095553/CI/5K1194A

**LEGEND:**

PLANT CODE  
 QUANTITY

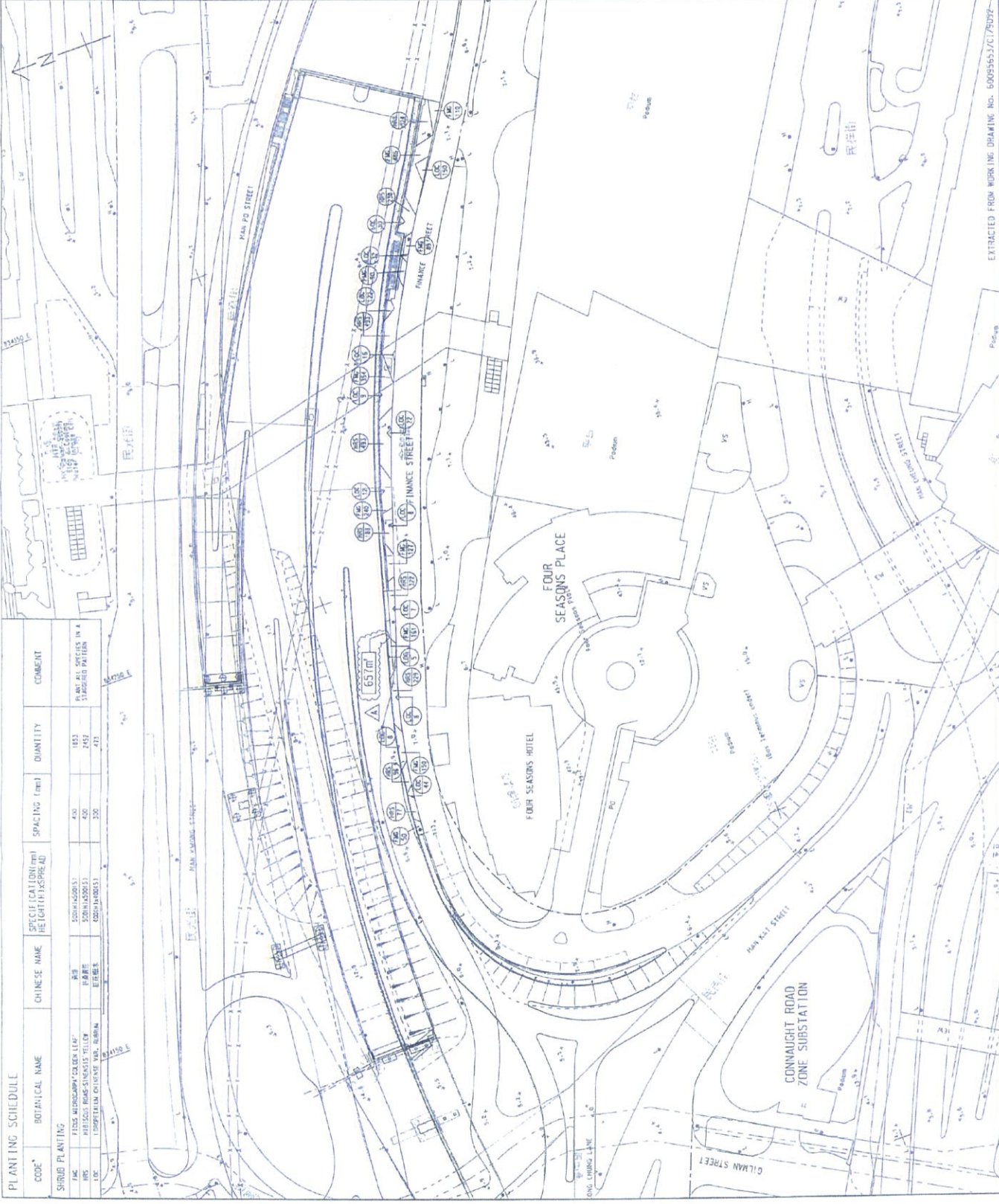
NO.	DESCRIPTION	TYPE	DATE
1	ISSUED FOR CONSTRUCTION	REV	11/05/09
2	ISSUED FOR CONSTRUCTION	REV	11/05/09
3	ISSUED FOR CONSTRUCTION	REV	11/05/09

**AECOM**

CENTRAL - WAN CHAI BYPASS AND EC LINK  
 CENTRAL - WAN CHAI BYPASS  
 CENTRAL INTERCHANGE

**TITLE:**  
 SHRUB PLANTING PLAN FOR PLANTER  
 ALONG FINANCE STREET

SKETCH NO. 60095553/CI/5K1194A  
 DATE: 11/05/09



**PLANTING SCHEDULE**

CODE	BOTANICAL NAME	CHINESE NAME	SPECIFICATION (mm) HEIGHT x SPREAD	SPACING (mm)	QUANTITY	COMMENT
<b>SHRUB PLANTING</b>						
101	FITSA MICROCARPA 'GOLDEN LEAF'	金葉女貞	500H x 500W x 150D	400	1833	PLANT ALL SPECIES IN 4 STAGGERED PATTERNS
102	PHILLODENDRON 'SINGAPORE YELLOW'	黃葉木	500H x 500W x 150D	400	2453	
103	LEUCOPHYLLON CHINENSIS 'NORONA'	銀姬木	500H x 500W x 150D	250	473	

EXTRACTED FROM WORKING DRAWING NO. 60095553/CI/5K1194A



# **Annex B**

## **Drawings of Irrigation System**



**KEY PLAN**  
SCALE A1 : 20000  
A3 : 40000

- NOTES:**
- THIS DRAWING TO BE READ IN CONNECTION WITH DRAWING NO. 60095653/C/SK10698.
  - TYPE 1 BEDDING SHALL BE USED. DETAILS OF BEDDING REFER TO WSD STANDARD DRAWING NO. WSD1.1.
  - DETAILS OF WATER METER BOX AND WATER POINT SHALL REFER TO DRG. NO. 60095653/C/SK11428.
  - VERTICAL PLUMBING LINE DIAGRAM SHALL REFER TO DRG. NO. 6009563/C/SK1153A.
  - DN PIPE SIZES REFER TO INTERNAL DIAMETER OF PIPE.

- LEGEND:**
- NEW POLYETHYLENE (PE) PIPE TO BS 150 4427 AND BS EN 12201
  - EXISTING CROSS ROAD DUCT WITH INSPECTION CHAMBER
  - NEW TAPER
  - NEW STOP VALVE
  - FOOTPATH
  - AMENITY AREA
  - CARRIAGEWAY
  - EXISTING WATERPOINT
  - EXISTING WATERPOINT TO BE DEMOLISHED
  - NEW LOOSE JUMPER TYPE STOP COCK
  - NEW WATERPOINT
  - IRRIGATION POINT COVERING AREA
  - U/G UNDERGROUND
  - L/L LOWER LEVEL

Rev.	Date	Description	Drawn	Prepared	Checked
C	24/10/11	GENERAL REVISIONS	PH	PH	UC
B	20/12/16	FOR INFORMATION	SY	HYN	NC
A	07/10/16	FOR INFORMATION	SY	HYN	NC
-	26/05/16	FOR INFORMATION	SY	HYN	NC

**AECOM**

**CENTRAL - WAN CHAI BYPASS AND IEC LINK**  
CENTRAL - WAN CHAI BYPASS  
CENTRAL INTERCHANGE

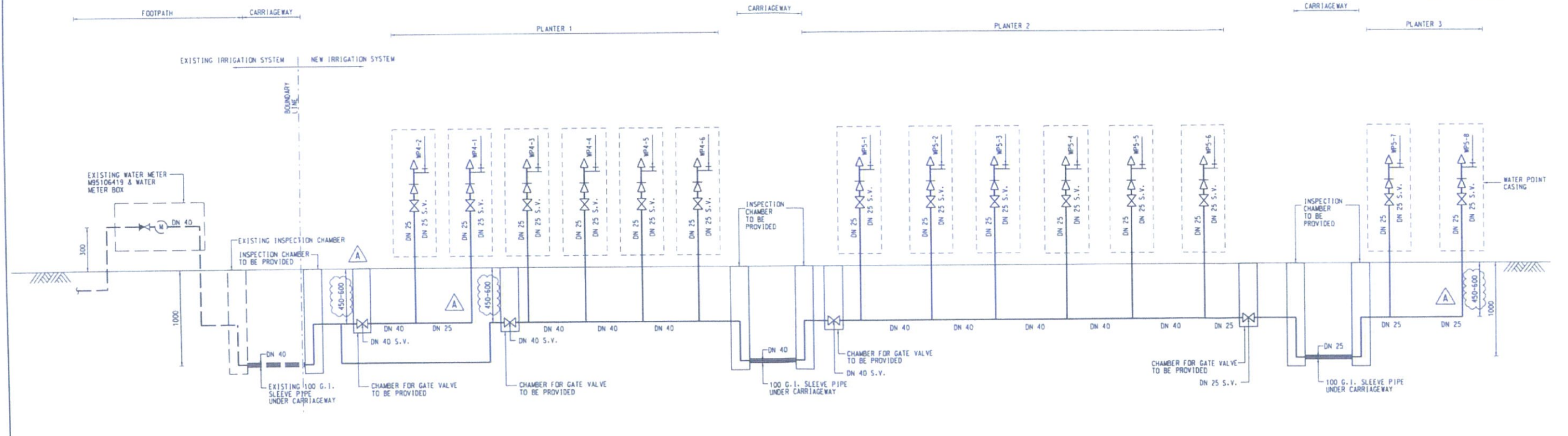
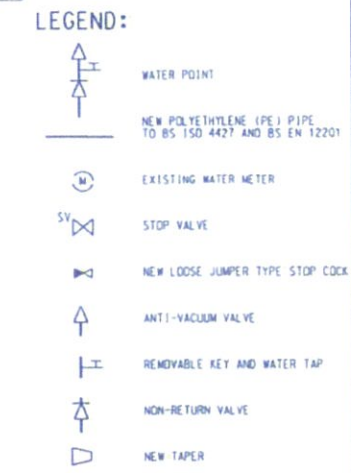
**TITLE:**  
PLANTER AREA PLAN FOR IRRIGATION  
AT WATER POINT 4

SKETCH NO. 60095653/C1/SK1065C SCALE 1:1000(A3)



**NOTES:**

1. THE LOCATION AND ALIGNMENT OF IRRIGATION SYSTEM SHALL REFER TO SITE SKETCH NO. 60095653/C1/SK1065C AND SK1069B.
2. DETAILS OF GATE VALVE CHAMBER, WATER METER BOX, IRRIGATION WATER POINT, WATER POINT CASING AND INSPECTION CHAMBER SHALL REFER TO SITE SKETCH NO. 60095653/C1/SK1142B.
3. DN PIPE SIZES REFER TO INTERNAL DIAMETER OF PIPE.



VERTICAL PLUMBING LINE DIAGRAM FOR WP4-1 TO WP4-6 AND WP5-1 TO WP5-8 (IRRIGATION SYSTEM AT MAN KWONG STREET PLANTERS)

Rev.	Date	Description	Drawn	Prepared	Checked
A	24/10/17	GENERAL REVISIONS	SYH	SP	WJC
-	07/11/16	FOR CONSTRUCTION	SY	HYN	NC

**AECOM**

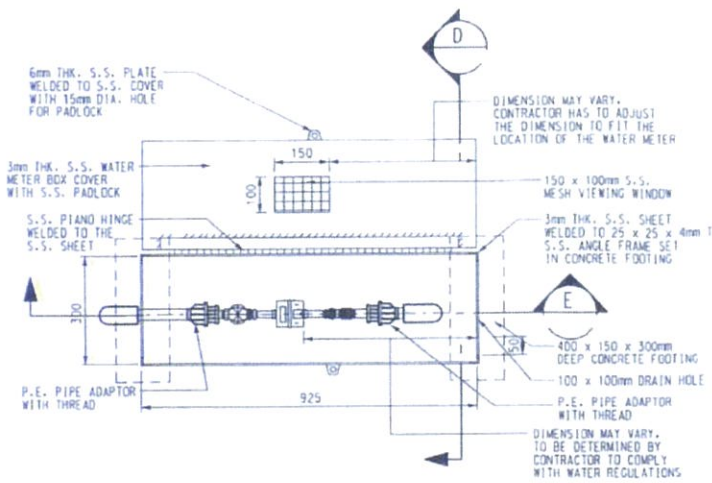
CENTRAL - WAN CHAI BYPASS AND IEC LINK  
CENTRAL - WAN CHAI BYPASS  
CENTRAL INTERCHANGE

TITLE:  
VERTICAL PLUMBING LINE DIAGRAMS FOR  
MAN KWONG STREET PLANTERS  
WP4-1 TO WP4-6 AND WP5-1 TO WP5-8

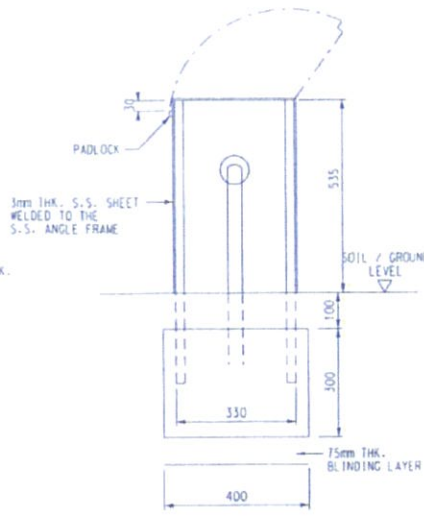
EXTRACTED FROM WORKING DRAWING No. 60095653/C1/2411

SKETCH NO. 60095653/C1/SK1153A SCALE N.T.S.

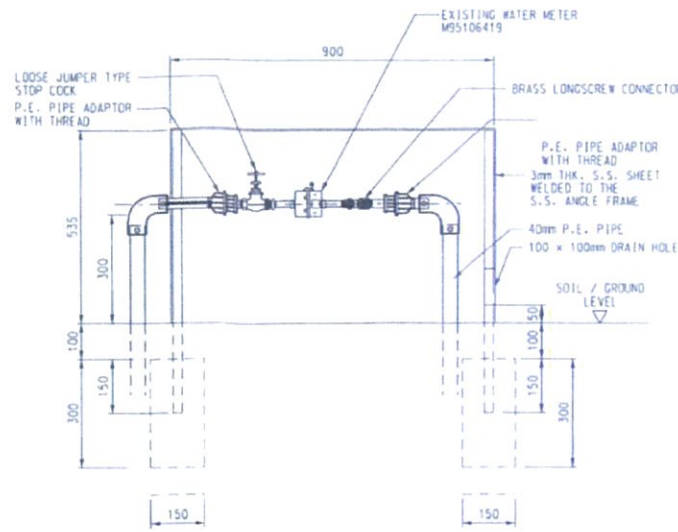




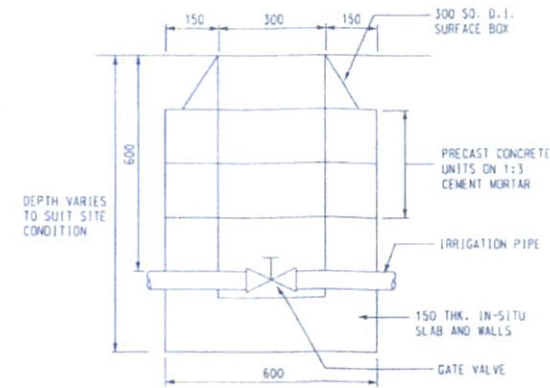
PLAN OF EXISTING WATER METER BOX  
SCALE 1:20



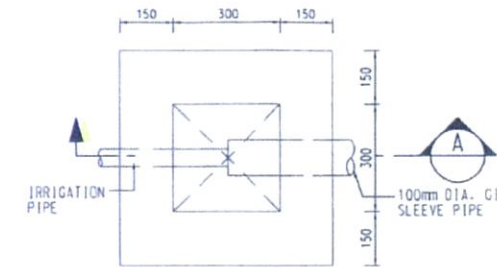
SECTION D  
SCALE 1:20



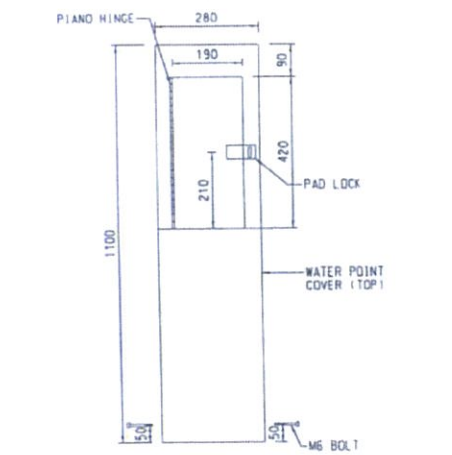
SECTION E  
SCALE NTS



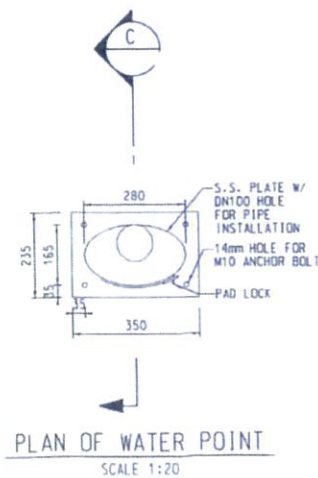
VALVE COVER BOXES  
SCALE 1:20



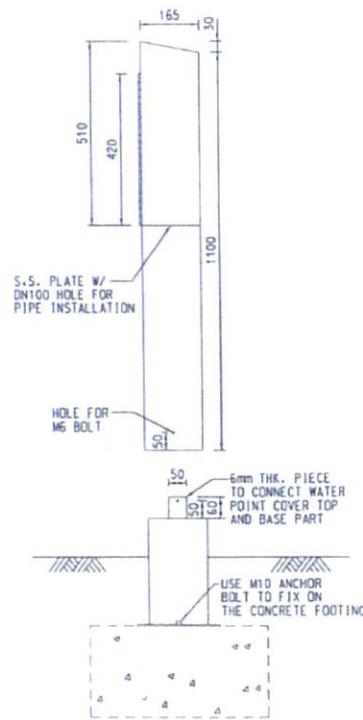
PLAN OF INSPECTION CHAMBER DETAIL  
SCALE: 1:10



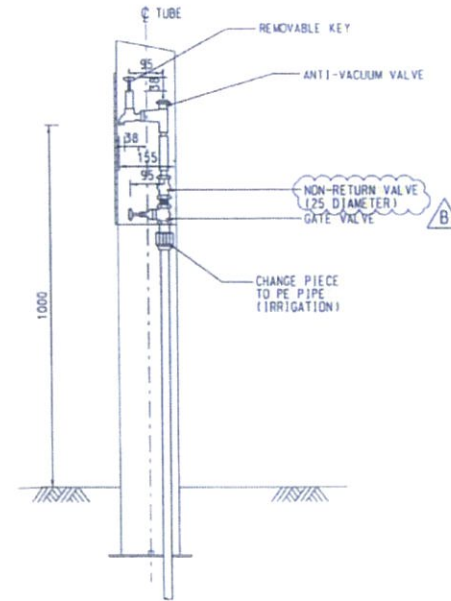
ELEVATION OF WATER POINT  
SCALE 1:20



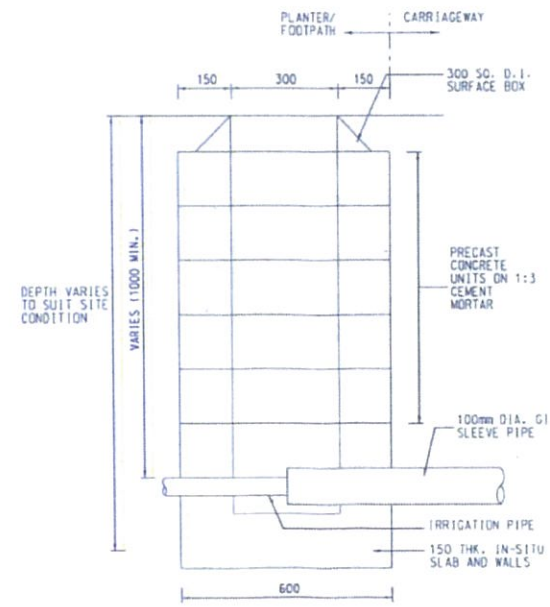
PLAN OF WATER POINT  
SCALE 1:20



SECTION C  
SCALE 1:20



WATER POINT DETAILS  
SCALE 1:20



INSPECTION CHAMBER  
SCALE 1:20

- NOTES :
1. ALL DIMENSIONS ARE IN MILLIMETRES.
  2. FOR DETAILS OF 300 S.D.I. SURFACE BOX REFER TO WSD STANDARD DRAWING NO. WSD 1.4TC.
  3. FOR DETAILS OF PRECAST CONCRETE UNITS REFER TO DRAWING NO. WSD 1.7E.
  4. GRADE OF CONCRETE SHALL BE 30/200 UNLESS OTHERWISE SPECIFIED.
  5. EXACT LOCATION OF WATER POINT TO BE DETERMINED ON SITE.
  6. GRADE OF STAINLESS STEEL SHALL BE 304 UNLESS OTHERWISE SPECIFIED.

Rev.	Date	Description	Drawn	Prepared	Checked
B	24/10/17	GENERAL REVISIONS	RTH	SY	AE
A	14/12/16	FOR CONSTRUCTION	SY	HYN	NC
-	08/10/16	FOR CONSTRUCTION	SY	HYN	NC

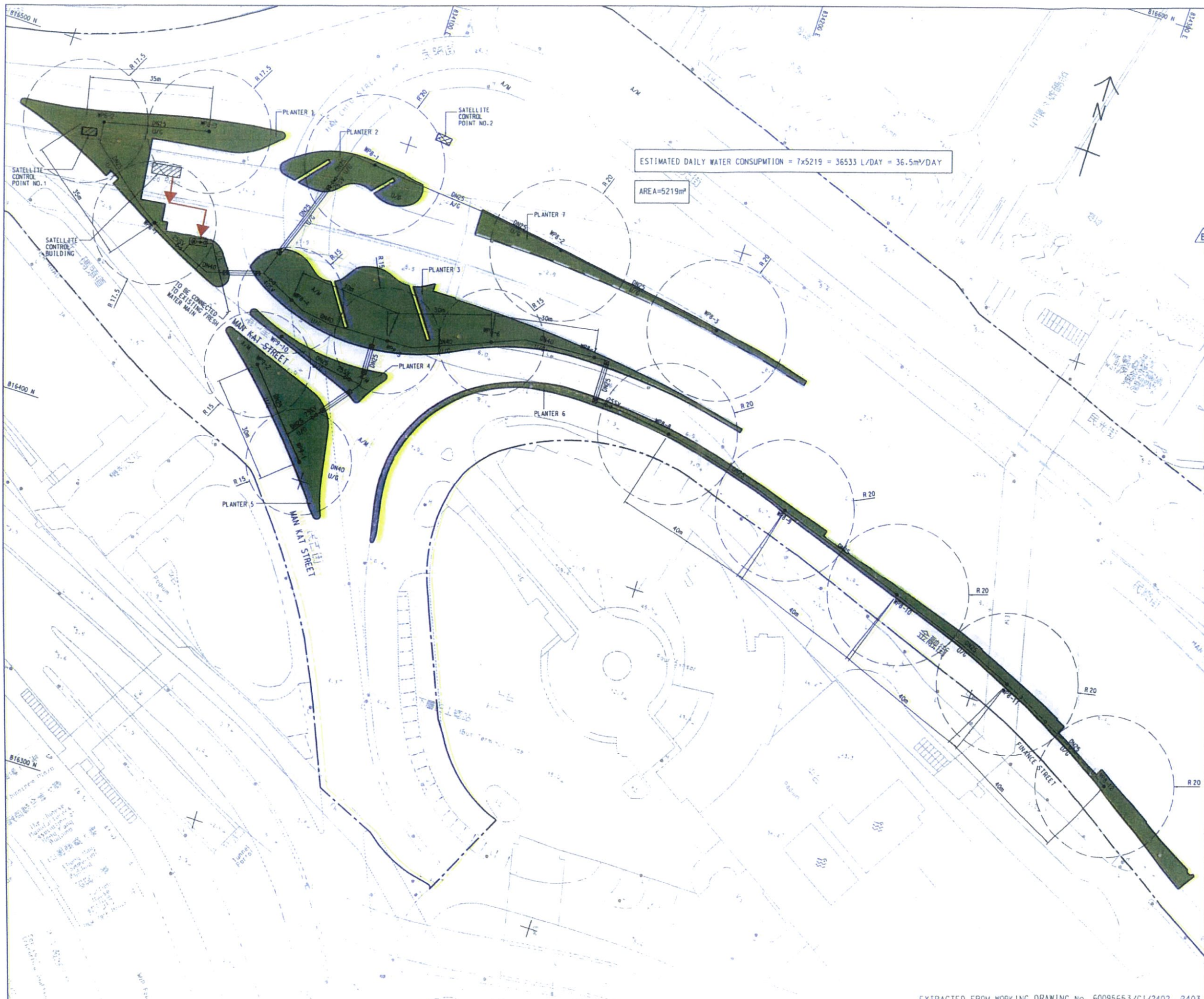
**AECOM**

CENTRAL - WAN CHAI BYPASS AND IEC LINK  
CENTRAL - WAN CHAI BYPASS  
CENTRAL INTERCHANGE

TITLE:  
IRRIGATION WATER SUPPLY DETAILS

SKETCH NO. 60095653/CI/SK1142B SCALE AS SHOWN





**KEY PLAN**  
 SCALE A1 : 20000  
 A3 : 40000

- NOTES:**
1. DETAILS OF WATER METER BOX AND WATER POINTS SHALL REFER TO DRG. NO. 60095653/CI/SK10728 AND SK11406.
  2. DN PIPE SIZES REFER TO INTERNAL DIAMETER OF PIPE.

- LEGEND:**
- NEW WATER METER BOX FOR IRRIGATION
  - CROSS ROAD DUCT WITH INSPECTION CHAMBER
  - NEW POLYETHYLENE (PE) PIPE TO BS 150 4427 AND BS EN 12201
  - NEW STOP VALVE
  - F/P FOOTPATH
  - A/M AMENITY AREA
  - C/W CARRIAGEWAY
  - EXISTING WATERPOINT
  - EXISTING WATERPOINT TO BE DEMOLISHED
  - NEW LOOSE JUMPER TYPE STOP COCK
  - NEW WATERPOINT
  - IRRIGATION POINT COVERING AREA
  - U/G UNDERGROUND
  - L/L LOWER LEVEL
  - A/G ABOVE GROUND

Rev.	Date	Description	Drawn	Prepared	Checked
B	24/10/17	GENERAL REVISIONS	MYH	SJK	WLL
A	15/12/16	FOR INFORMATION	SY	HYN	NC
-	05/05/16	FOR INFORMATION	SY	CH	NC

**AECOM**

**CENTRAL - WAN CHAI BYPASS AND IEC LINK**  
 CENTRAL - WAN CHAI BYPASS  
 CENTRAL INTERCHANGE

TITLE:  
 LAYOUT PLAN FOR IRRIGATION SYSTEM  
 IN FRONT OF PORTION VI PLANTERS









EXTRACTED FROM WORKING DRAWING No. 60095653/CI/2402, 2403 SKETCH NO. 60095653/CI/SK1059B SCALE 1:1000(A3)

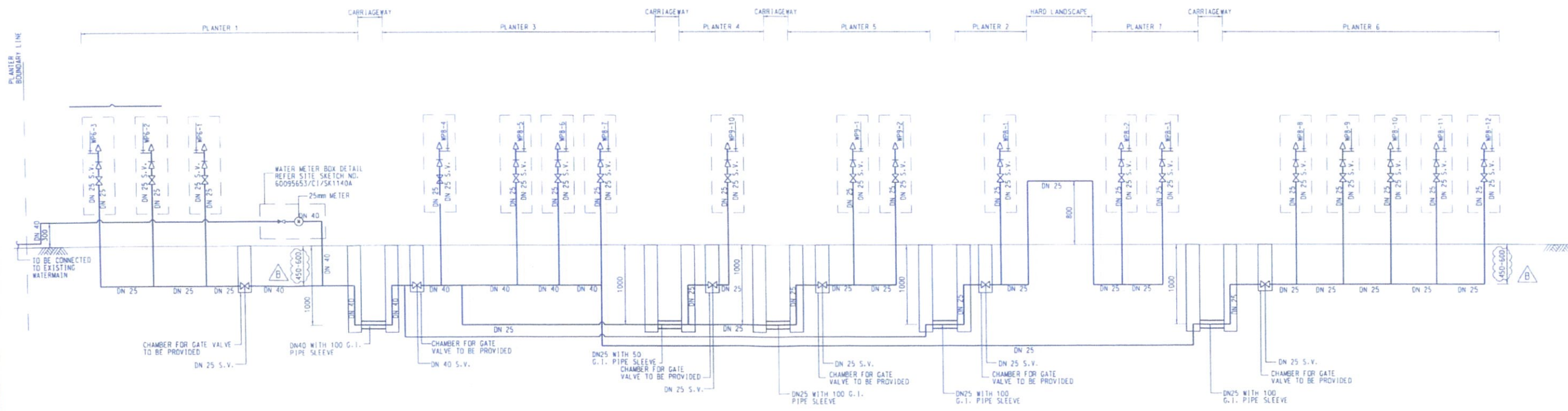


**NOTES:**

1. THE LOCATION AND ALIGNMENT OF IRRIGATION SYSTEM SHALL REFER TO SITE SKETCH NO. 60095653/C1/SK1059B.
2. DN PIPE SIZES REFER TO INTERNAL DIAMETER OF PIPE.

**LEGEND:**

-  WATER POINT
-  NEW POLYETHYLENE (PE) PIPE TO BS ISO 4427 AND BS EN 12201
-  NEW WATER METER
-  NEW STOP VALVE
-  NEW LOOSE JUMPER TYPE STOP COCK
-  ANTI-VACUUM VALVE
-  REMOVABLE KEY AND WATER TAP
-  NON-RETURN VALVE



SYSTEM WP6-1 TO WP6-3, WP9-1 TO WP9-2, WP9-10 AND WP8-1 TO WP8-12 (IRRIGATION SYSTEM AT PLANTERS IN FRONT OF FOUR SEASONS HOTEL)

B	24/10/17	GENERAL REVISIONS	ATH	JG	ML
A	07/12/16	FOR CONSTRUCTION	SY	HTN	NC
-	07/06/16	FOR CONSTRUCTION	SY	HTN	NC
Rev.	Date	Description	Drawn	Prepared	Checked



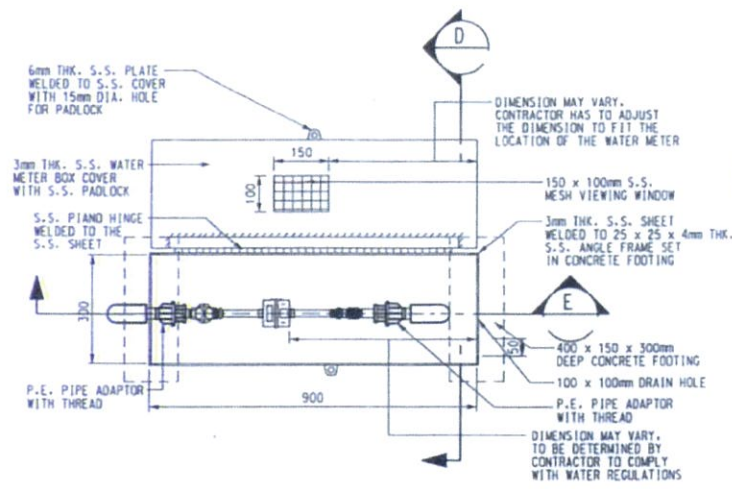
CENTRAL - WAN CHAI BYPASS AND IEC LINK  
CENTRAL - WAN CHAI BYPASS  
CENTRAL INTERCHANGE

TITLE: IRRIGATION SYSTEM VERTICAL PLUMBING LINE DIAGRAMS FOR SYSTEMS WP6-1 TO WP6-3, WP9-1 TO WP9-2, WP9-10 AND WP8-1 TO WP8-12

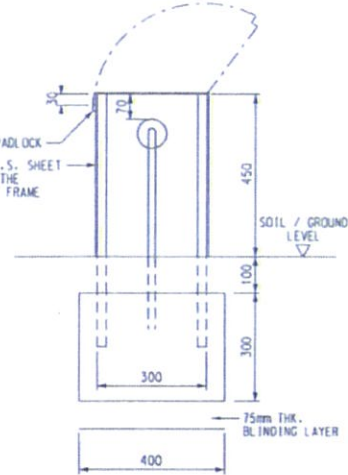
SKETCH NO. 60095653/C1/SK1072B SCALE 1:1.5

EXTRACTED FROM WORKING DRAWING No. 60095653/C1/2411, 2412

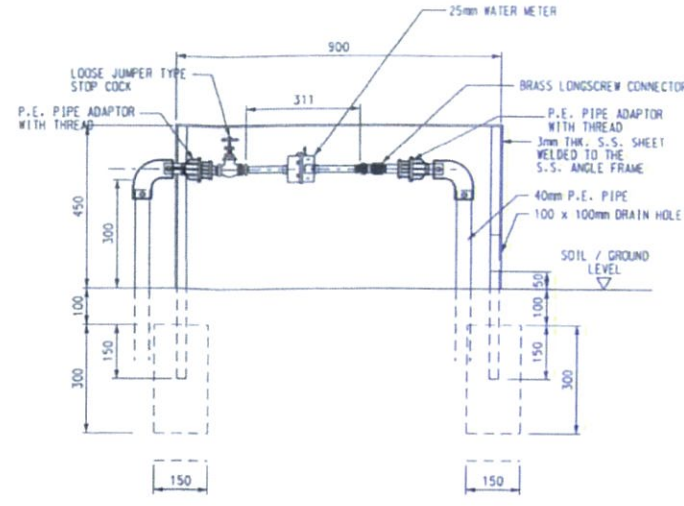




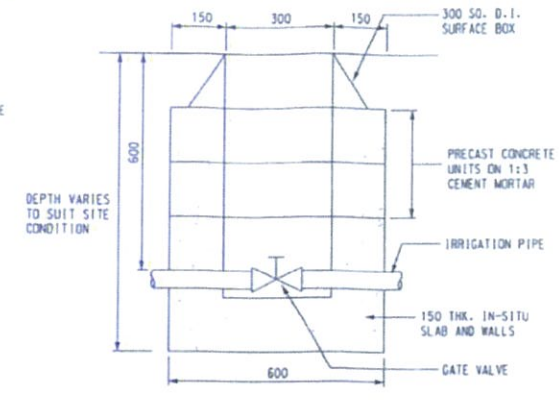
PLAN OF WATER METER BOX  
SCALE 1:20



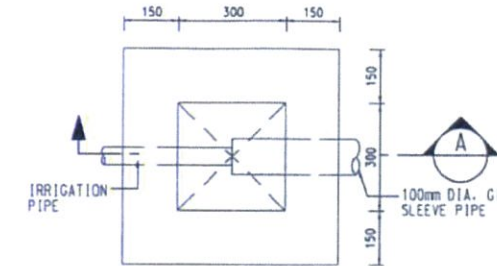
SECTION D  
SCALE 1:20



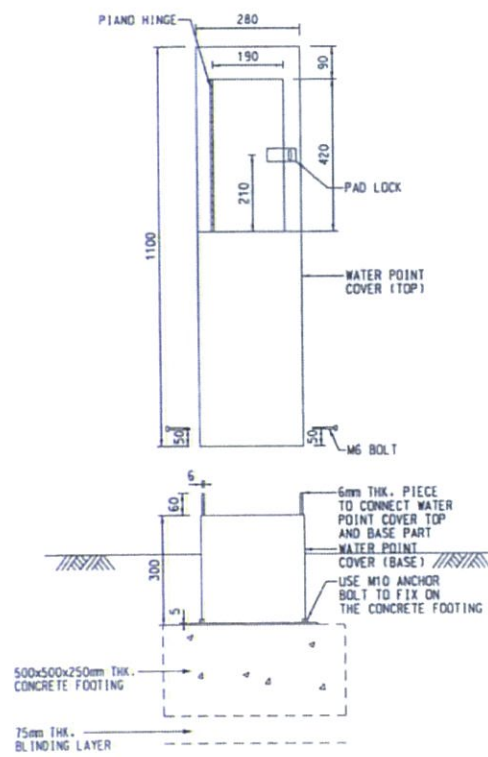
SECTION E  
SCALE NTS



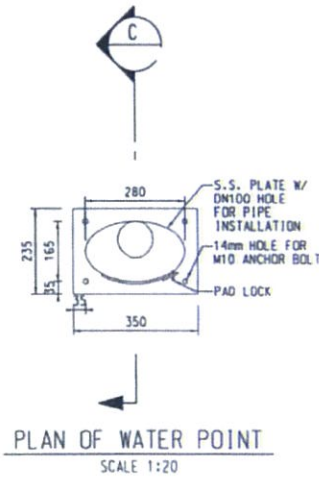
VALVE COVER BOXES  
SCALE 1:20



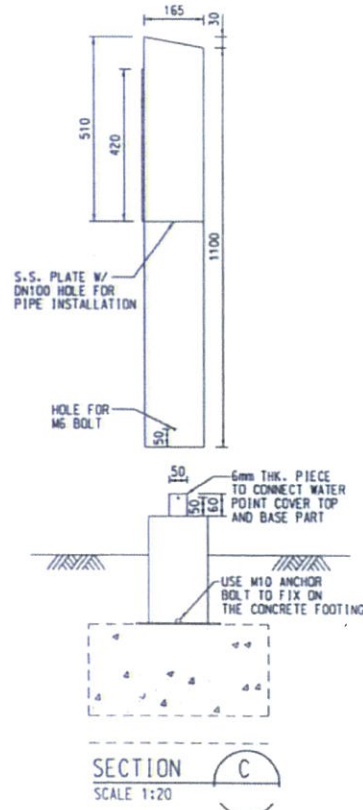
PLAN OF INSPECTION CHAMBER DETAIL  
SCALE: 1:10



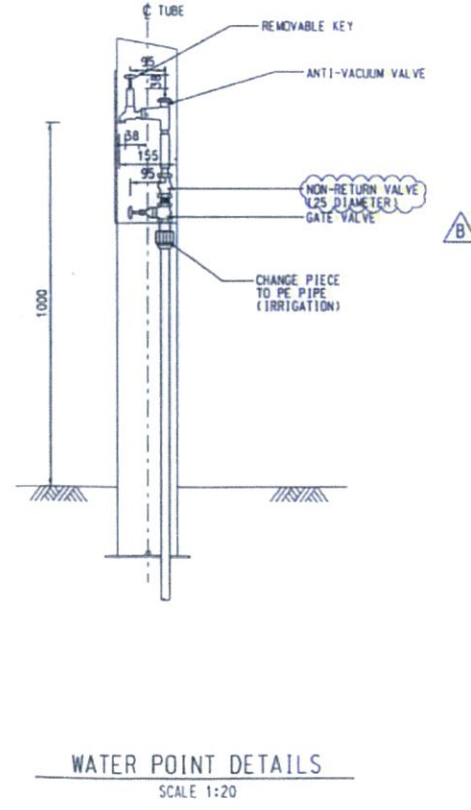
ELEVATION OF WATER POINT  
SCALE 1:20



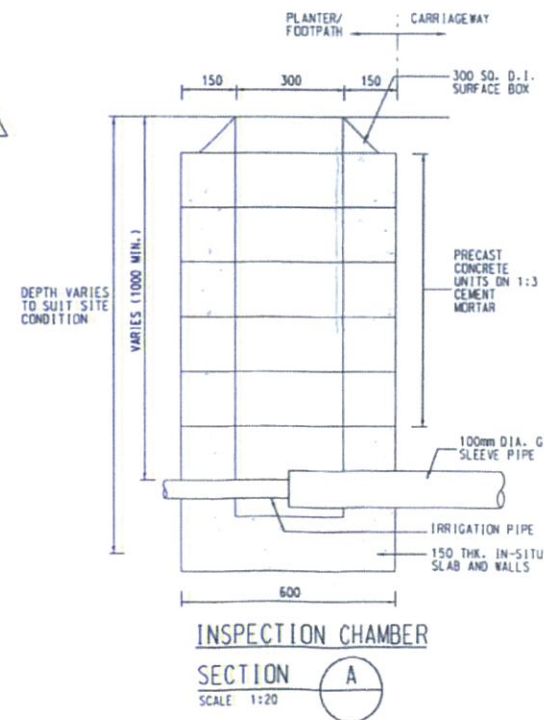
PLAN OF WATER POINT  
SCALE 1:20



SECTION C  
SCALE 1:20



WATER POINT DETAILS  
SCALE 1:20



INSPECTION CHAMBER  
SECTION A  
SCALE 1:20

- NOTES :
1. ALL DIMENSIONS ARE IN MILLIMETRES.
  2. FOR DETAILS OF 300 SO. D. I. SURFACE BOX REFER TO WSD STANDARD DRAWING NO. WSD 7.47C.
  3. FOR DETAILS OF PRECAST CONCRETE UNITS REFER TO DRAWING NO. WSD 1.7E.
  4. GRADE OF CONCRETE SHALL BE 30/200 UNLESS OTHERWISE SPECIFIED.
  5. EXACT LOCATION OF WATER POINT TO BE DETERMINED ON SITE.
  6. GRADE OF STAINLESS STEEL SHALL BE 304 UNLESS OTHERWISE SPECIFIED.

Rev.	Date	Description	Drawn	Prepared	Checked
B	24/10/17	FOR CONSTRUCTION	HYH	SKP	WHL
A	14/12/16	FOR CONSTRUCTION	SY	HYN	NC
-	05/10/16	FOR CONSTRUCTION	SY	HYN	NC

**AECOM**

CENTRAL - WAN CHAI BYPASS AND IEC LINK  
CENTRAL - WAN CHAI BYPASS  
CENTRAL INTERCHANGE

TITLE:  
IRRIGATION SYSTEM MISCELLANEOUS DETAILS

SKETCH NO. 60095653/C1/SK1140B SCALE AS SHOWN/1:20



EXTRACTED FROM WORKING DRAWING No. 3128/ACL/10245

---

# **Annex C**

## **Record Photos**

# **General View of Planters**



PLANTING SCHEDULE						
CODE	BOTANICAL NAME	CHINESE NAME	SPECIFICATION (mm) (HEIGHT x SPREAD)	SPACING (mm)	QUANTITY	REMARKS
SHRUB AND GROUND COVER PLANTING						
TIC	LORNA COCCINELLA 'LORNA'	銀葉蕁麻	400H x 400S	300	4310	
TW	LORNA WILLIAMS 'LORNA'	銀葉蕁麻	300H x 200S	300	3520	
CTB	CRISTINA TERMINALIS 'CRISTINA'	銀葉蕁麻	500H x 400S	300	7600	
DRG	DURANTA REPENS 'DURANTA'	金魚草	400H x 400S	300	4290	
ZEG	ZEPHYRANES BANGSILOKA	藍花蔴	100H x 200S	300	1370	
CAJ	CAPELLA JAPONICA	山竹	500H x 200S	400	2880	
GROUND COVER PLANTING						
ASIS	ASPERULUS SPERMATOPHYTES	冬青	200H x 200S	300	3370	
TURF PLANTING						
ASC	PERMANENT COMPRESS	草皮	300H x 300W		912	AS PER IS CLAUSE 2.17 RE INSTANT BY THE CONTRACTOR

RE INSTANT BY THE CONTRACTOR

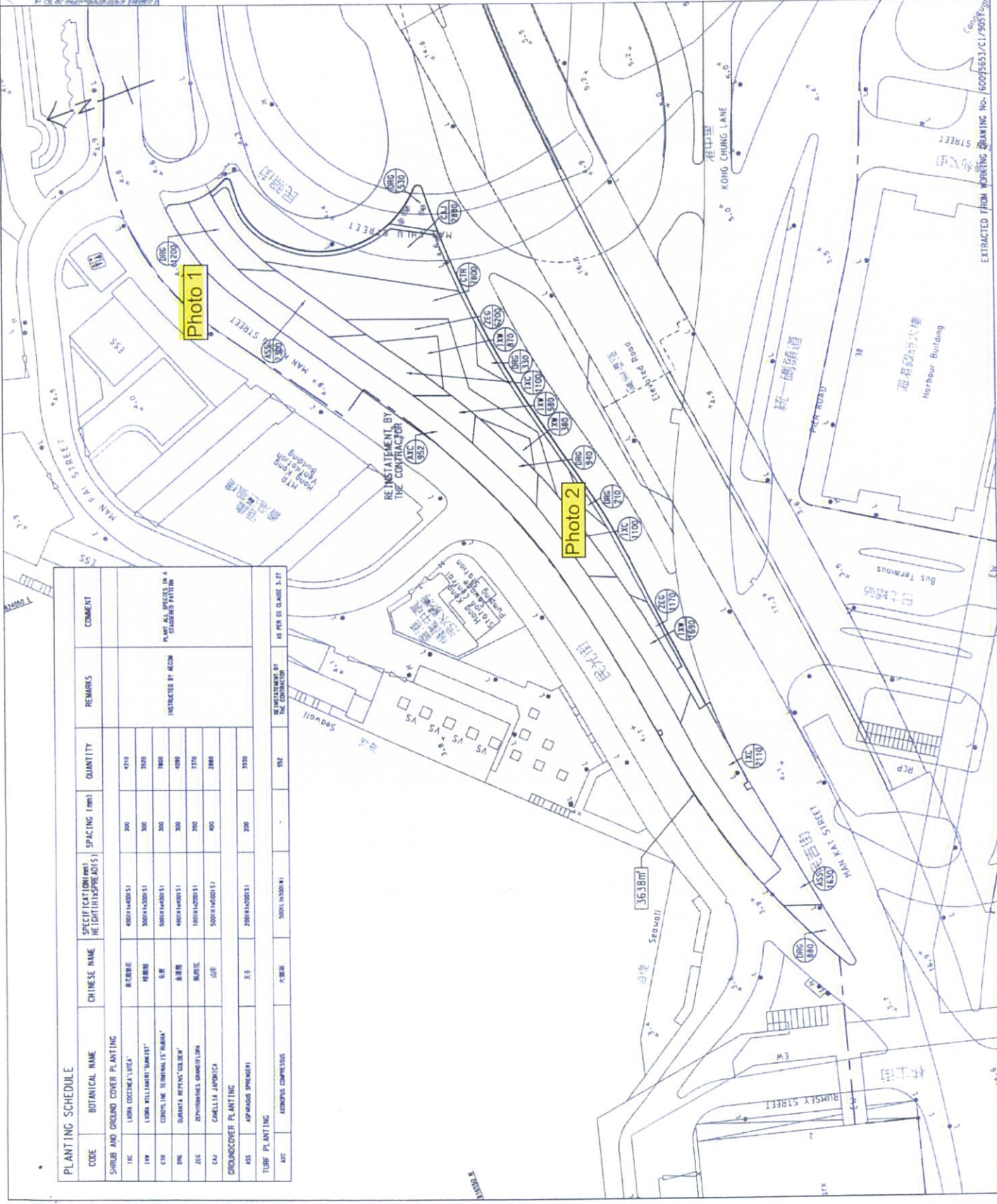
AS PER IS CLAUSE 2.17

**KEY PLAN**  
SCALE: AS 1:30000

**NOTE:**  
1. THIS DRAWING SHALL BE READ IN CONJUNCTION WITH DRAWING NO. 60095653/CI/905.

**LEGEND:**

- SITE BOUNDARY
- SHRUB CODE
- QUANTITY
- TURF CODE
- QUANTITY



**AECOM**

FOR RECORD ONLY

DATE: 11/11/2011

DESCRIPTION: SKRUB PLANTING AT MAN CHIU STREET PLANTER

PROJECT: CENTRAL - WAN CHAI BYPASS AND BE LINK CENTRAL - WAN CHAI BYPASS CENTRAL INTERCHANGE

SKETCH NO.: 60095653/CI/905

DATE: 11/11/2011

EXTRACTED FROM WORKING DRAWING DRAWING NO. 60095653/CI/905

PLANTING SCHEDULE						
CODE	BOTANICAL NAME	CHINESE NAME	SPECIFICATION (H x S x SPREAD)	SPACING (mm)	QUANTITY	COMMENT
<b>SHRUB PLANTING</b>						
SHC	SARAWAK BIRCH 'SILVER'	九子木	400H x 400S1	300	1950	PLANT ALL SPECIES IN A STAGGERED PATTERN
SHC	LEIPA COCCINELLA 'LITTA'	二叶栎	400H x 400S1	300	1100	
SHC	PROCEDEBON PALORUM	野牡丹	500H x 400S1	400	1380	
<b>GROUNDCOVER PLANTING</b>						
LAC	LANTANA CAMARA 'LAVI'	洋紫荊	200H x 200S1	200	600	PLANT ALL SPECIES IN A STAGGERED PATTERN



**KEY PLAN**  
SCALE 1:1000

**NOTE:**  
MARKING SHALL BE MADE IN CONJUNCTION WITH THE LANDSCAPE ARCHITECT'S OFFICE.

**LEGEND:**

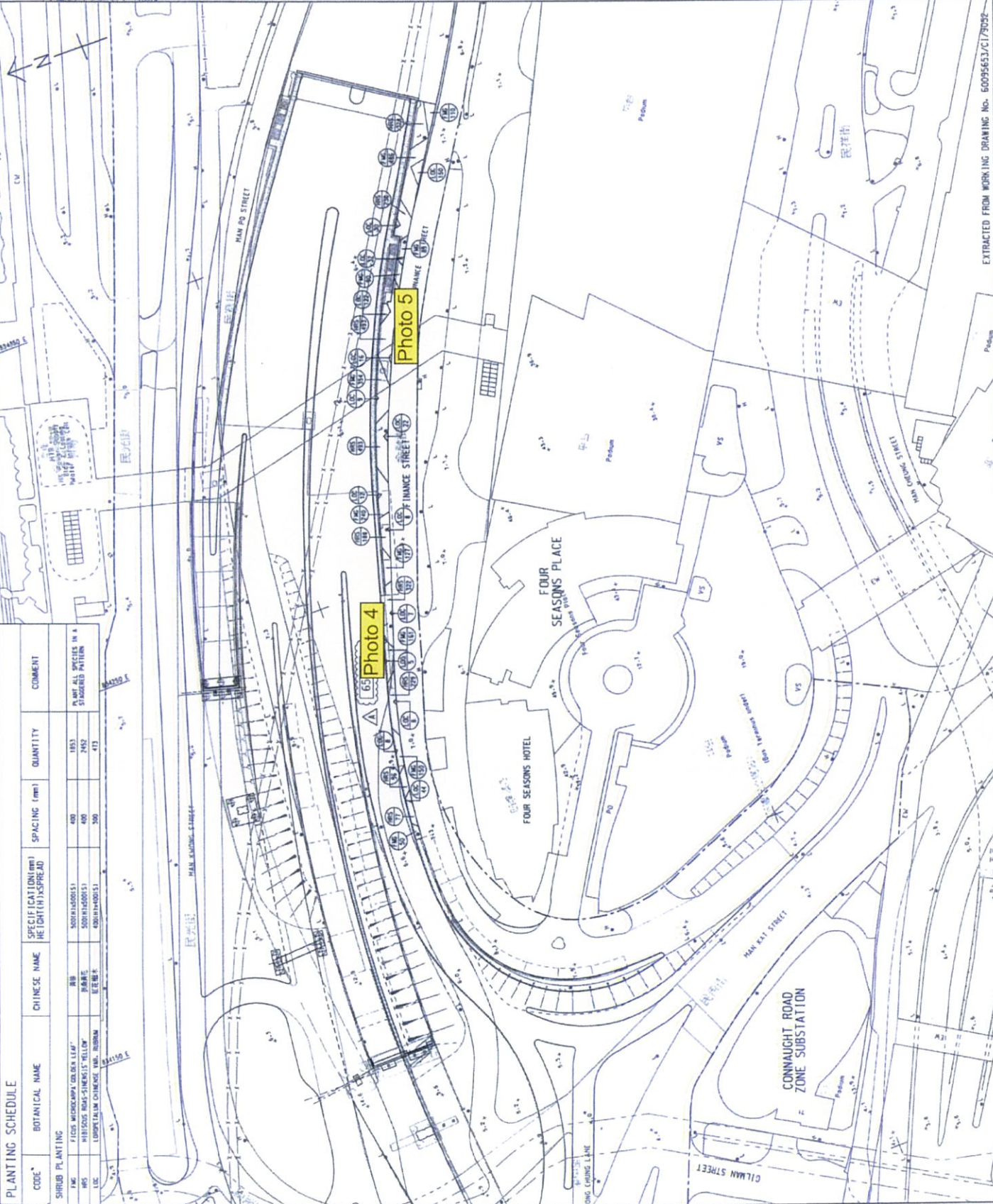
SITE BOUNDARY  
SHRUB CODE  
QUANTITY

A - FOR RECORD ONLY		ETH	ENC	NC
B - FOR RECORD ONLY		ETH	ENC	NC
Prepared / Checked		Date		
<b>AECOM</b>				
CENTRAL - WAN CHAI BYPASS AND IBC LINK CENTRAL INTERCHANGE				
TITLE: SHRUB PLANTING PLAN AT CONNAUGHT ROAD ZONE SUBSTATION				
SKETCH NO. 60095553-C1/SK11917A				



PLANTING SCHEDULE

CODE	BOTANICAL NAME	CHINESE NAME	SPECIFICATION (Ht) / SPREAD	QUANTITY	COMMENT
SHRUB PLANTING					
1803	FICUS MICROCARPA 'COLUMBIA LEAF'	BB	500(H)X400(S)	1803	PLANT ALL SPECIES IN A STAGGERED PATTERN
2452	FICUS VARIEGATA 'SUNGOLD'	BB	500(H)X400(S)	2452	
473	LEUCOPHYLLON CHINENSE 'VAR. BIRMAN'	BB	400(H)X400(S)	473	



NOTE:  
1. THIS DRAWING SHALL BE READ IN CONJUNCTION WITH THE IFC, INC. 60095653/CI/19052.

LEGEND:  
SHRUB CODE QUANTITY



NO.	DATE	DESCRIPTION	BY	CHK	INC.
1		FOR CONSTRUCTION	YKH	DC	AL
2		FOR CONSTRUCTION	YKH	DC	INC.

**AECOM**

CENTRAL - WAN CHAI BYPASS AND REC LINK  
CENTRAL - WAN CHAI BYPASS  
CENTRAL INTERCHANGE

TITLE:  
SHRUB PLANTING PLAN FOR PLANTER  
ALONG FINANCE STREET

SKETCH NO. 60095653/CI/SK1194A

EXTRACTED FROM WORKING DRAWING NO. 60095653/CI/9052

















Photo 4

04/05/2018





04/05/2018

Photo 5



# **Functional Check of Irrigation System**



- NOTES:**
1. THIS DRAWING TO BE READ IN CONNECTION WITH DRAWING NO. 60095653/CI/2401-2402.
  2. TYPE 1 RECORDS SHALL BE USED. DETAILS OF RECORDING REFER TO WKS STANDARD DRAWING NO. WKS-1-1.
  3. DETAILS OF WATER METER SIZE AND WATER-LOG SHALL REFER TO Dwg. NO. 60095653/CI/2401-2402.
  4. VERTICAL PLUMBING LINE DIAGRAMS SHALL REFER TO Dwg. NO. 60095653/CI/2401-2402.

- LEGEND:**
- NEW WATERMETER TYPE 100mm TO 150mm (1/2" TO 6" IN DIA)
  - EXISTING CROSS ROAD DUCT WITH INSPECTION CHAMBER
  - NEW LATER
  - NEW STOP VALVE
  - FOOTPATH
  - AMENITY WELL
  - CONCRETE
  - EXISTING WATERPOINT
  - EXISTING WATERPOINT TO BE REPLACED
  - NEW LOGIC JAMPER TYPE STOP COCK
  - NEW WATERPOINT
  - IRRIGATION POINT COVERING AREA
  - UNDERGROUND
  - LOWER LEVEL

Rev	Date	Reason for Change
1		Issue for Information
2		Issue for Information
3		Issue for Information
4		Issue for Information
5		Issue for Information
6		Issue for Information
7		Issue for Information
8		Issue for Information
9		Issue for Information
10		Issue for Information
11		Issue for Information
12		Issue for Information
13		Issue for Information
14		Issue for Information
15		Issue for Information
16		Issue for Information
17		Issue for Information
18		Issue for Information
19		Issue for Information
20		Issue for Information
21		Issue for Information
22		Issue for Information
23		Issue for Information
24		Issue for Information
25		Issue for Information
26		Issue for Information
27		Issue for Information
28		Issue for Information
29		Issue for Information
30		Issue for Information
31		Issue for Information
32		Issue for Information
33		Issue for Information
34		Issue for Information
35		Issue for Information
36		Issue for Information
37		Issue for Information
38		Issue for Information
39		Issue for Information
40		Issue for Information
41		Issue for Information
42		Issue for Information
43		Issue for Information
44		Issue for Information
45		Issue for Information
46		Issue for Information
47		Issue for Information
48		Issue for Information
49		Issue for Information
50		Issue for Information
51		Issue for Information
52		Issue for Information
53		Issue for Information
54		Issue for Information
55		Issue for Information
56		Issue for Information
57		Issue for Information
58		Issue for Information
59		Issue for Information
60		Issue for Information
61		Issue for Information
62		Issue for Information
63		Issue for Information
64		Issue for Information
65		Issue for Information
66		Issue for Information
67		Issue for Information
68		Issue for Information
69		Issue for Information
70		Issue for Information
71		Issue for Information
72		Issue for Information
73		Issue for Information
74		Issue for Information
75		Issue for Information
76		Issue for Information
77		Issue for Information
78		Issue for Information
79		Issue for Information
80		Issue for Information
81		Issue for Information
82		Issue for Information
83		Issue for Information
84		Issue for Information
85		Issue for Information
86		Issue for Information
87		Issue for Information
88		Issue for Information
89		Issue for Information
90		Issue for Information
91		Issue for Information
92		Issue for Information
93		Issue for Information
94		Issue for Information
95		Issue for Information
96		Issue for Information
97		Issue for Information
98		Issue for Information
99		Issue for Information
100		Issue for Information

**AECOM**

**CENTRAL - WAN CHAI BYPASS AND REC LINK**  
CENTRAL - WAN CHAI BYPASS  
CENTRAL INTERCHANGE

**TITLE:**  
PLANTER AREA PLAN FOR IRRIGATION  
AT WATER POINT 4

**SKETCH NO.:** 60095653/CI/2401-2402

**SCALE:** (1:10000)



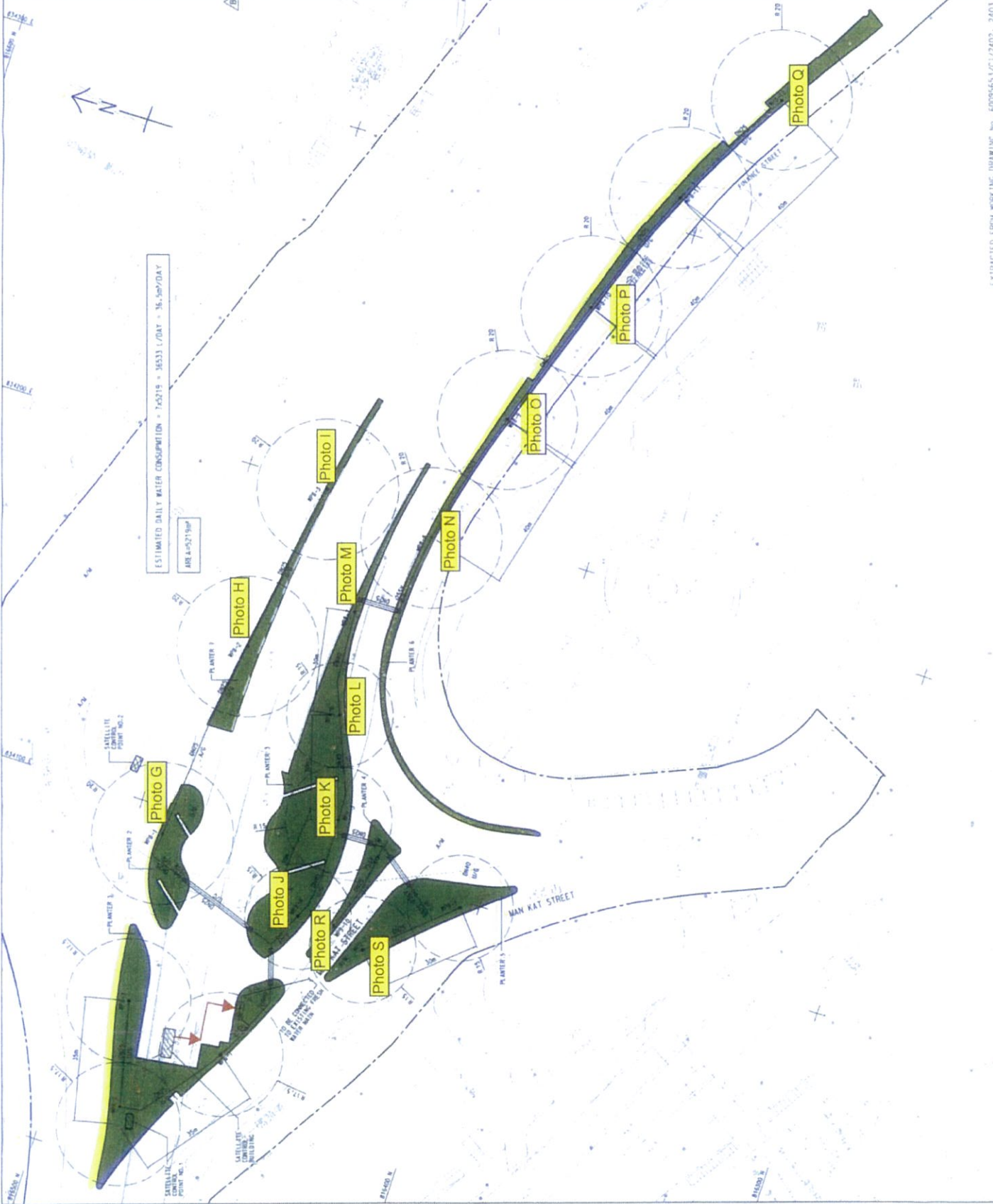




**KEY PLAN**  
SCALE: 1:10,000

**NOTES:**  
1. DETAILS OF WATER METER BOX AND WATER MOUNTING, AND DETAILS OF THE MAIN WATER MAINS TO BE INSTALLED TO THE WATER MOUNTING SHALL BE REFERRED TO THE DRAWING OF THE WATER MOUNTING AND WATER MAINS TO BE INSTALLED TO THE WATER MOUNTING.

- LEGEND:**
- NEW WATER METER BOX FOR IRRIGATION
  - EXISTING AND NEW WATER MAINS TO BE INSTALLED TO THE WATER MOUNTING
  - NEW STOP VALVE
  - FOOTPATH
  - IDENTITY AREA
  - CARRIAGEWAY
  - EXISTING WATERPOINT
  - EXISTING WATERPOINT TO BE RELOCATED
  - NEW LOOSE JAMBS TYPE STOP COCK
  - NEW WATERPOINT
  - IRRIGATION POINT
  - UNDERGROUND
  - LOWER LEVEL
  - ABOVE GROUND



NO.	DATE	REVISION	BY	CHECKED
1		ISSUE FOR INFORMATION	ST	HTK
2		ISSUE FOR INFORMATION	ST	HTK

**AECOM**

**CENTRAL - WAN CHAI BYPASS AND REC LINK**  
CENTRAL - WAN CHAI BYPASS  
CENTRAL INTERCHANGE

**TITLE:**  
LAYOUT PLAN FOR IRRIGATION SYSTEM  
IN PORTION VI PLANTERS

**SCALE:** 1:10,000

**PROJECT NO.:** 60095653/CI/141059B





Photo B

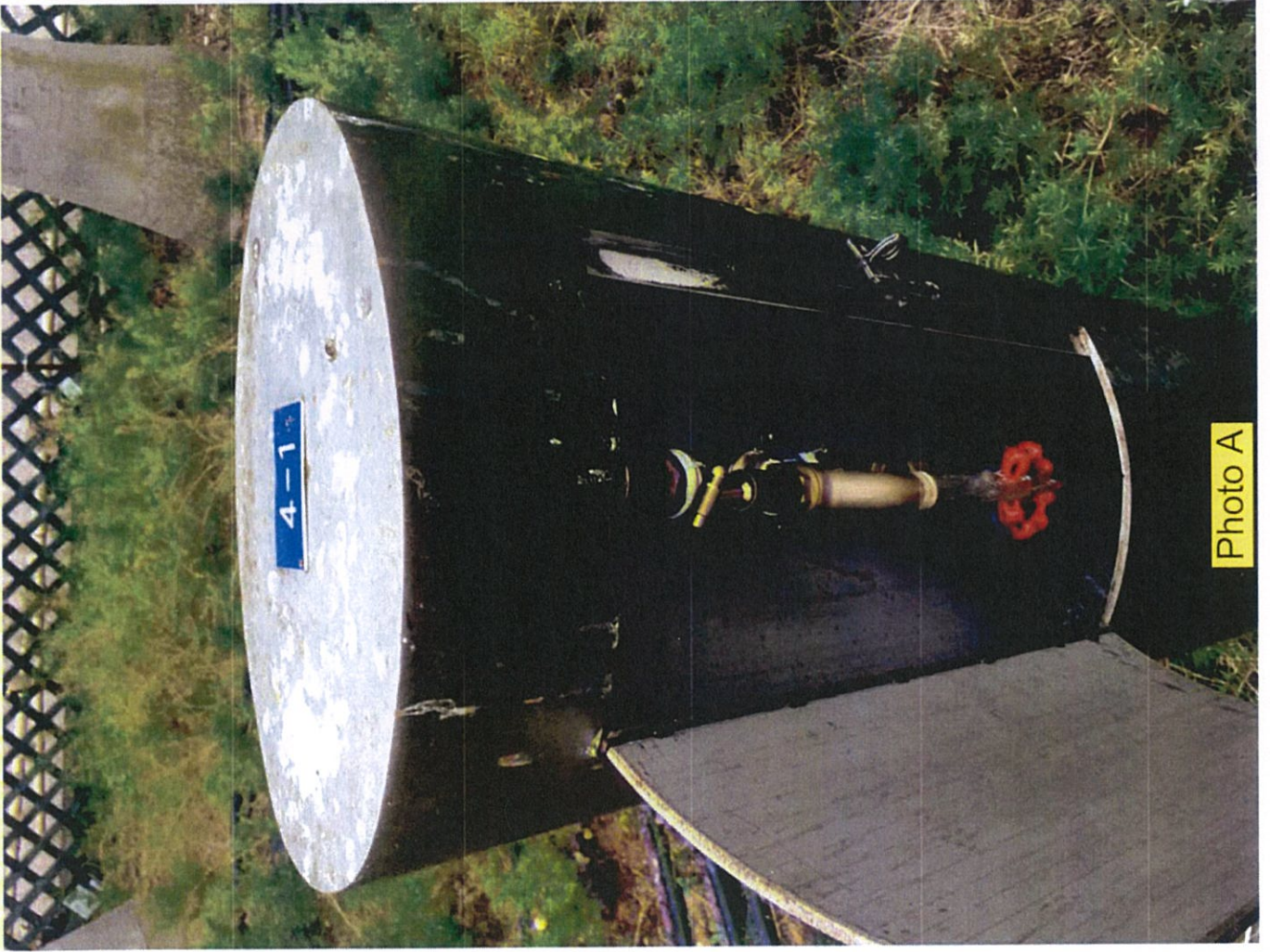


Photo A





Photo D



Photo C



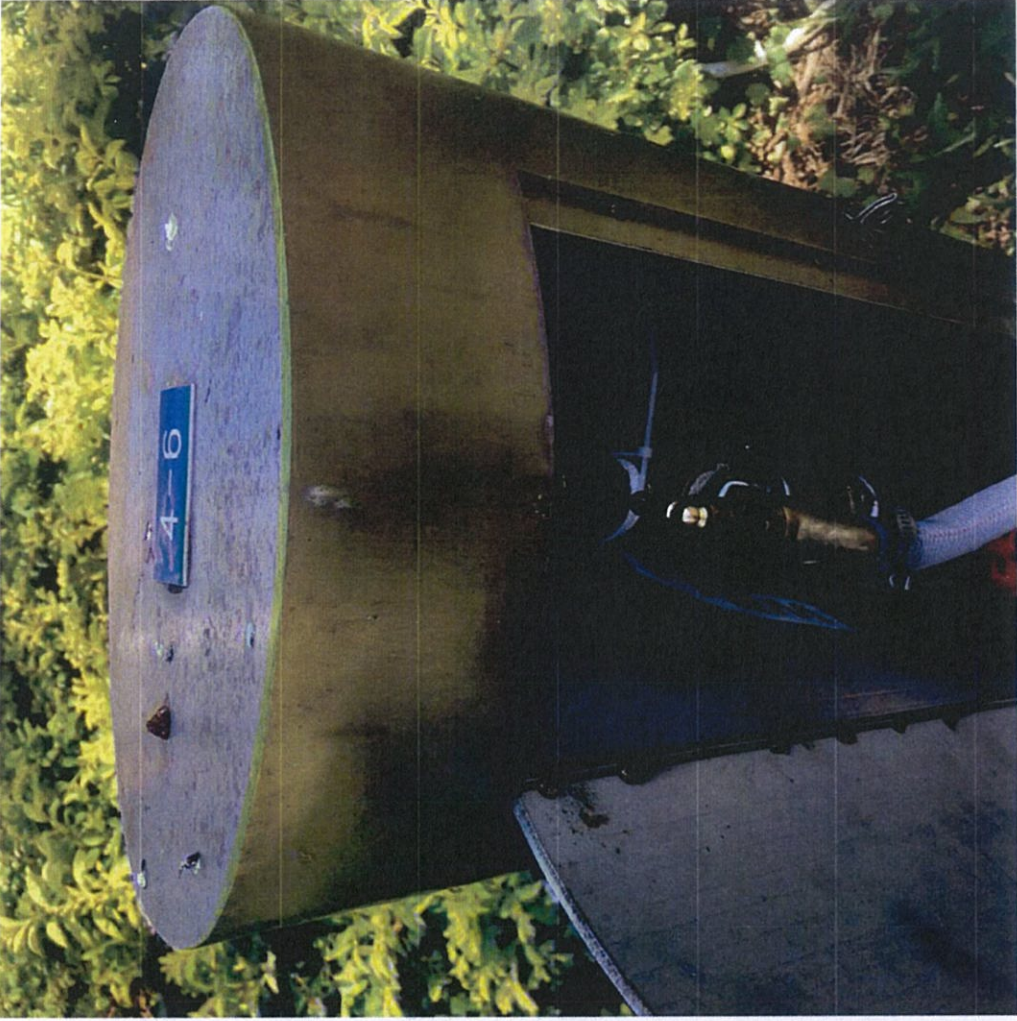


Photo F



Photo E





Photo H

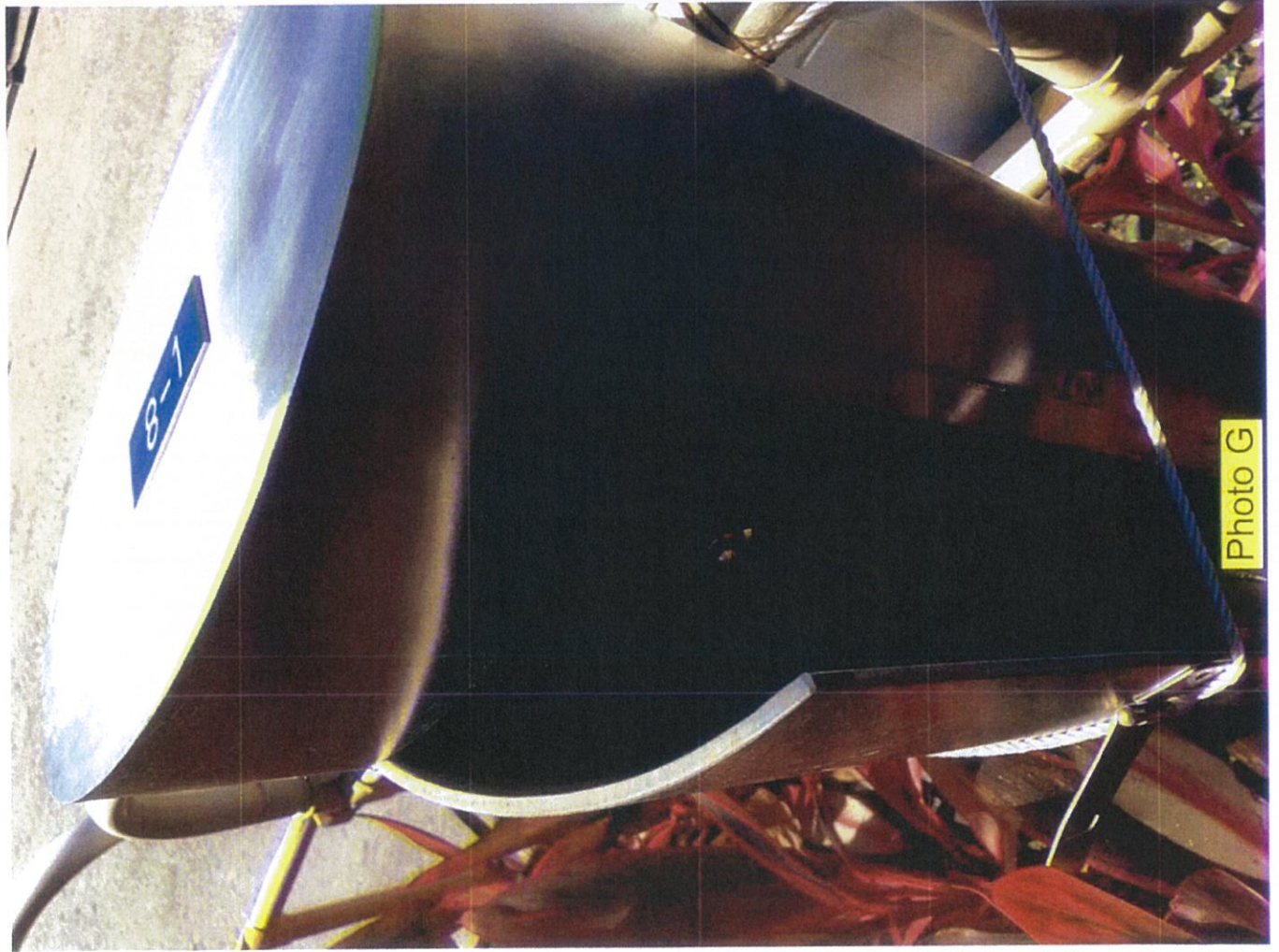


Photo G





Photo J



Photo I



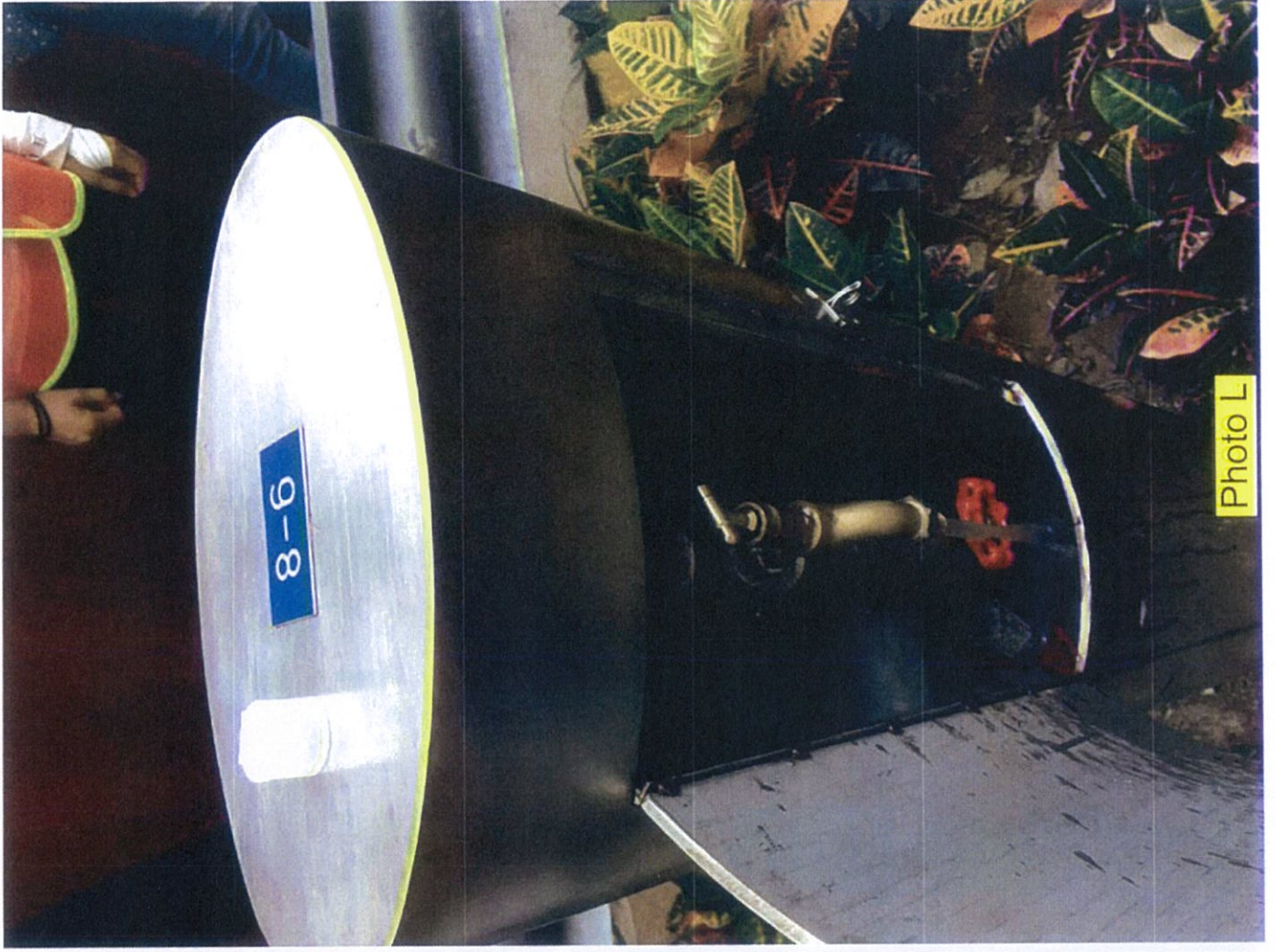


Photo L

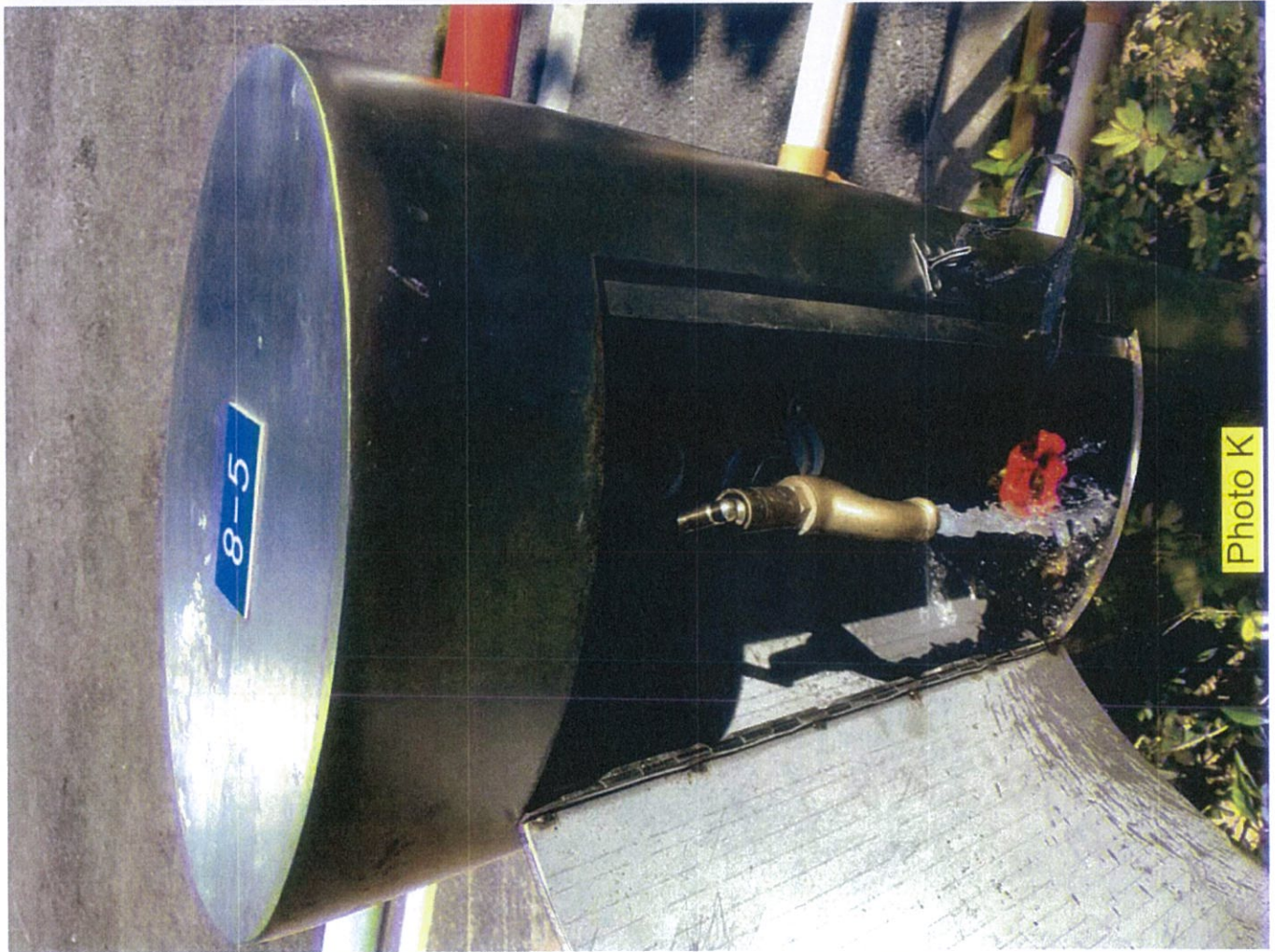


Photo K





Photo N

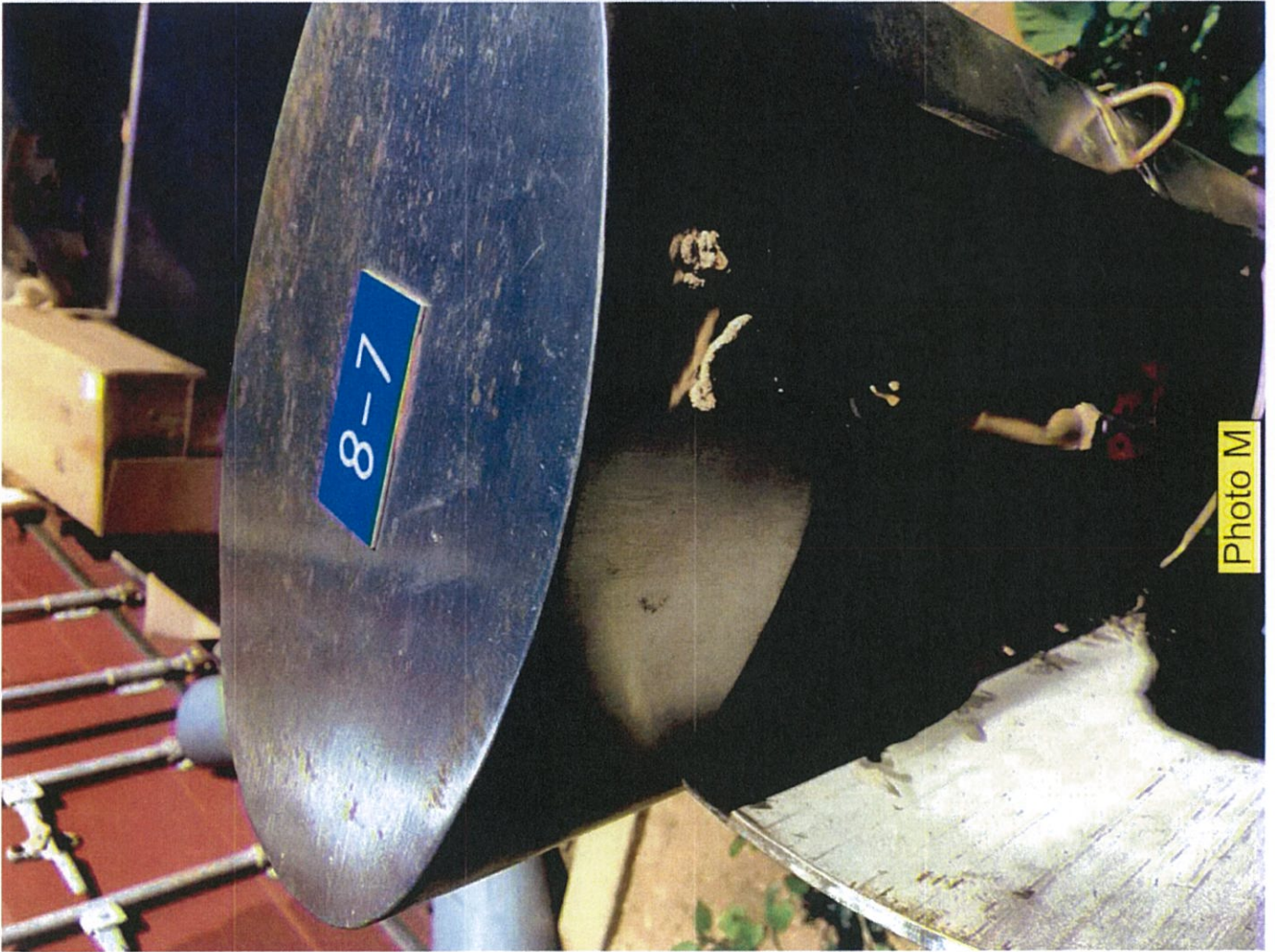


Photo M





Photo P



Photo O





Photo R



Photo Q



# **Annex D**

## **Tree Risk Assessment Form 1 Report 2018**

# Contractor's Submission Form

Ref: H2540/CSF/OPR/03370-R1  
Date: 12 April 2018



19 APR 2018



18A021048  
30 Harbour Road, Hong Kong

t: +852 2823 1111  
f: +852 2529 8784

Contract: HY/2009/18 – Central-Wan Chai Bypass - Central Interchange

To: Engineer's Representative, The Chief Resident Engineer Mr. David Kwan

Title of Submission: Tree Risk Assessment Form 1 Report 2018 (Group 6)

Specification:

We are pleased to submit the following for your review and comment

Description:

Reference is made to Variation Order No. V/155 under letter ref. CWB/(HY/2009/18)/C55/800/18B011734 dated 02 January 2018, we submit herewith the revised Tree Risk Assessment Form 1 Report (Group 6) for your record.

Purpose of Submission:

FOR APPROVAL

FOR RECORD OR INFORMATION

Contractor's Representative

Signature:

Name: Jimmy Chu  
Position: Project Manager  
Date: 12 April 2018

Distribution: JC / Jac

Prepared by: W



**Tree Management Information System (TMIS) 樹木管理資訊系統**  
**Tree Risk Assessment Form 1: Tree Group Inspection**  
**樹木風險評估表格 1: 樹群檢查**

Note:  
 Please enable macro before using this workbook  
 請於填寫表格前啟用巨集  
 (Please Save this Workbook as xls Format)

**General Information 基本資料**

Dept. 部門/ Agency 機構	HyD	Inspection Officer 巡查人員:	Mr. NG Sze Yuen, Jason	Post 職位:	C.A. ISA Cert No. HK-1229A
File Ref. 檔案編號:	C2241/18/TGD0523	Endorsement Officer 覆核人員:	Mr. HO Tai Pul, Daniel	Post 職位:	C.A. ISA Cert No. HK-0291A
Date of Inspection 巡查日期:	02/02/2018	Last Inspection Date 上次巡查日期:			
Agency 機構/ Project 工程/ Contract No. 合約編號	HY/2009/18				
Inspection Frequency 巡查週期:	12 months 個月				

**Location Information 位置資料**

Master Zone Departmental Ref. 主區編號:	Central				
Sub Zone Departmental Ref. 副區編號:	Central - Group 6				
English Location 英文地點:	Man Kwong Street				
Chinese Location 中文地點:	民光街				
Tree Risk Management Zone 樹木風險管理地點類別:	<input checked="" type="checkbox"/> category I 第一類 <input type="checkbox"/> category II 第二類 <input type="checkbox"/> category III 第三類				
Nearby Utility Post No. 就近公用設施編號:					
Location Types 地點類別 (multiple answers allowed 可選多於一項)	<input checked="" type="checkbox"/> Roadside Landscaped Area 路旁綠化地帶 <input type="checkbox"/> Public Park/Recreation Venue 公園 康樂場地 <input type="checkbox"/> Remote Countryside 偏遠郊區 <input type="checkbox"/> Vacant Government Land 政府空置土地 <input type="checkbox"/> Others (please specify) 其他 (請說明)				
	<input type="checkbox"/> Central Divider 中央分隔帶 <input type="checkbox"/> Tree Pit 樹穴 <input type="checkbox"/> Village Environs 鄉村範圍 <input type="checkbox"/> Unallocated Government Land 未撥用的政府土地 <input type="checkbox"/> Recreational Site/Facilities inside Country Park 郊野公園內康樂用地或設施 <input type="checkbox"/> SIMAR Slopes 系統性維修責任的斜坡				

**Tree Information 樹木基本資料**

The size of a tree group should be defined by location types, such as public park, SIMAR slopes, tree pits, etc. with due consideration given to the limitations of visual tree assessment.  
 在決定樹群的大小時，應參照地點類別，如公園、系統性維修責任的斜坡、樹槽等，並考慮目測法的局限。

Main tree species in the group (DBH ≥ 95 mm) and minority tree species of significant size (i.e. approx. DBH ≥ 300 mm) 在群組內的主要樹種 (胸徑 ≥ 95 毫米) 及少數胸徑或高度較樹冠基座較大的樹種 (即胸徑約 ≥ 300 毫米)	App. No. of Trees 大約樹木數量	Height (m) From 樹高 (米) 由	Height (m) To 樹高 (米) 至	Overall Health Condition 樹群健康狀況	Overall Structural Condition 樹群結構狀況
<i>Lagerstroemia speciosa</i> 大花紫薇(洋紫薇)	3	5.0	6.0	Fair 一般	Fair 一般
<i>Casuarina equisetifolia</i> 木麻黃	4	12.0	13.0	Fair 一般	Fair 一般
<i>Roystonia regia</i> 大王椰子(王棧)	59	5.0	15.0	Fair 一般	Fair 一般
<i>Michelia x alba</i> 白蘭	2	5.0	5.0	Fair 一般	Fair 一般
<i>Callistemon viminalis</i> 串錢柳	2	6.0	7.0	Fair 一般	Fair 一般
<i>Erythrina variegata</i> 刺桐	1	5.0	5.0	Fair 一般	Fair 一般
<i>Xanthoxylem chrysanthos</i> 金黃桃	3	5.0	5.0	Fair 一般	Fair 一般
<i>Khaya senegalensis</i> 非洲楝	2	5.0	6.0	Fair 一般	Fair 一般
<i>Bauhinia x bleekana</i> 洋紫荊	20	5.0	12.0	Fair 一般	Fair 一般
<i>Bauhinia variegata</i> 宮粉羊蹄甲	23	5.0	8.0	Fair 一般	Fair 一般
<i>Ficus altissima</i> 高山榕(羅榕)	6	6.0	8.0	Fair 一般	Fair 一般
<i>Senna surattensis</i> (syn. <i>Cassia surattensis</i> ) 黃槐快明(黃槐)	3	5.0	5.0	Fair 一般	Fair 一般
<i>Livistona chinensis</i> 蒲葵	13	1.5	2.0	Fair 一般	Fair 一般
<i>Wodyetia bifurcata</i> 孤尾棧(孤尾椰子)	11	4.0	6.0	Fair 一般	Fair 一般
<i>Bauhinia variegata</i> var. <i>candida</i> 白花羊蹄甲	4	5.0	7.0	Fair 一般	Fair 一般

(Please delete the "blank" rows before save 保存之前，請刪除“空白”行)

Total No. of Trees 樹木總數:     No. of rows to be added:     Add Row    Delete Row

**Overall Remarks 整體評語**  
 This assessment recorded 156 nr. existing trees within the boundary. No registered Old and Valuable Tree or protected species was recorded. The general health and form of the trees are fair. Pruning work is recommended to the retained trees No. AT49, AT50, T1505, T1506, T1511, T1513, T1561, T1562, T1568 to T1571, T1610, T1614, T1615, T1617, T1632, T1633, T1634, T1639, T1640, T1641 and T1643.

**Target 目標**

Target (people or property potentially affected by tree/branch failure) 目標 (因樹木倒塌或枝條折斷而受影響的人或財產)

Does target exist? 目標物是否存在?     Yes / 是     No / 否

Can target be moved? 能否移除目標物?     Yes / 是     No / 否

Can the use of site be restricted? 可否限制場地的使用?     Yes / 是     No / 否

Frequency of use of location 使用該地點的頻密程度:

Occasional Use 偶爾使用     Intermittent Use 間歇使用     Frequent Use 經常使用     Constant Use 恆常使用

Identification of Trees for Remedial Action or Detailed Tree Risk Assessment (Form 2) 識別樹木以採取風險減低措施或進行詳細樹木風險評估 (表格 2)



Trees falling under the following criteria 樹木屬於以下任何一項或多於一項類別	Number of trees 樹木數量	Remedial action or detailed tree risk assessment (Form 2) 緩減措施或詳細的樹木風險評估 (表格 2)	Anticipated Completion Date 預計完成日期	Actual Completion Date 完成日期
(1) Old and Valuable Tree (OVT) 古樹名木				
(2) Stonewall tree 石牆樹				
(3) Trees on complaint list with structural or health problems 投訴個案中有結構或健康問題的樹木				
(4) Trees belonging to species with brittle wood structure and having unsatisfactory health or structural conditions with failure potential 屬木質脆弱品種而健康或結構欠佳的面具倒塌風險的樹木				
(5) Tree with major defects or health problems 有明顯缺陷或健康問題的樹木				
(6) Trees growing in very stressful site conditions with failure potential 生長於非常擠壓環境的樹木並有樹枝或樹幹倒塌風險				
(7) Mature trees 已屆成熟樹齡				

Summary of Statistic on TRIAGE Trees 分流樹木統計總結

Black 黑		Red 紅		Yellow 黃	
---------	--	-------	--	----------	--

Attached Information 附夾資料

(Maximum 10 attachments and total 25MB allowed 最多可容納10個附件並合計不多於25MB)

Site Plan 場地平面圖 (Provide at least 1 site plan 最少提供一個場地平面圖)		Add Site Plan	Delete Site Plan
1	Attach_20180309100450.pdf Description 說明: Tree location plan		
Photo Record 樹木照片 (Provide at least 1 photo record 最少提供一個相片記錄)		Add Photo Record	Delete Photo Record
1	Attach_20180309100516.JPG Description 說明: General view		
2	Attach_20180309100522.JPG Description 說明: General view		
3	Attach_20180309100526.JPG Description 說明: General view		
4	Attach_20180309100533.JPG Description 說明: General view		
5	Attach_20180309100538.JPG Description 說明: General view		
6	Attach_20180309100542.JPG Description 說明: General view		
7	Attach_20180327100601.jpg Description 說明: General view of T1614		
8	Attach_20180327100609.JPG Description 說明: Photo of T1614		
9	Description 說明:		
Other Attachments 其他附件 (Please specific 請註明)		Add Others	Delete Others
1	Subject Title 標題: Description 說明:		

New 4 ©

Please read in conjunction with TMO's Guidelines on Tree Risk Assessment and Management Arrangement and relevant Technical Circular promulgated on Development Bureau website www.trees.gov.hk  
請參閱發展局網頁 www.trees.gov.hk 有關樹木風險評估及管理的指引及相關技術通告







Photo Record of Tree Risk Assessment Form 1 Report - Group 6



Attach\_20180309100516



Attach\_20180309100522



Attach\_20180309100526



Attach\_20180309100533



Attach\_20180309100538



Attach\_20180309100542



Contract No.: HY/2009/18  
Central - Wan Chai Bypass - Central Interchange

Photo Record of Tree Risk Assessment Form 1 Report - Group 6



Attach\_20180327100601



Attach\_20180327100609

# Contractor's Submission Form

Ref: H2540/CSF/OPR/03371-R0

Date: - 4 APR 2018



18A021036

- 4 APR 2018

Leighton Contractors  
(Asia) Limited

39/F Sun Hung Kai Centre  
30 Harbour Road, Hong Kong

t: +852 2823 1111  
f: +852 2529 8784

Contract: HY/2009/18 – Central-Wan Chai Bypass - Central Interchange

To: Engineer's Representative, The Chief Resident Engineer Mr. David Kwan

Title of Submission: Tree Risk Assessment Form 1 Report 2018 (Group 7)

Specification:

We are pleased to submit the following for your review and comment

Description:

Reference is made to Variation Order No. V/155 under letter ref. CWB/(HY/2009/18)/C55/800/18B011734 dated 02 January 2018, we submit herewith the Tree Risk Assessment Form 1 Report (Group 7) for your record.

Purpose of Submission:

FOR APPROVAL

FOR RECORD OR INFORMATION

Contractor's Representative

Signature:

Name: Jimmy Chu

Position: Project Manager

Date: 27 March 2018

Distribution: JC / JAC

Prepared by: WJ



Tree Management Information System (TMIS) 樹木管理資訊系統  
Tree Risk Assessment Form 1: Tree Group Inspection  
樹木風險評估表格 1: 樹群檢查

Note:  
Please enable macro before using this workbook  
(請在啟用宏後再使用此工作簿)  
(Please Save this Workbook as xls Format)

General Information 基本資料

Dept. 部門/Agency 機構	HyD	Inspection Officer 巡查人員	Mr NG Sze Yuen, Jason	Post 職位	C.A. ISA Cert No. HK-122BA
File Ref. 檔案編號	C2241/18/TGD0523	Endorsement Officer 覆核人員	Mr HO Tat Pui, Daniel	Post 職位	C.A. ISA Cert No. HK-0784A
Date of Inspection 巡查日期	02/02/2018	Last Inspection Date 上次巡查日期	10/01/2017		
Agency 機構/Project 工程/Contract No. 合約編號	HY/2009/18				
Inspection Frequency 巡查週期	12 months 個月				

Location Information 位置資料

Master Zone Departmental Ref. 主區編號	Central
Sub Zone Departmental Ref. 副區編號	Central - Group 7
English Location 英文地點	Man Kwong Street and Man Kai Street
Chinese Location 中文地點	民光街和民吉街
Tree Risk Management Zone 樹木風險管理地點類別	<input checked="" type="checkbox"/> category I 第一類 <input type="checkbox"/> category II 第二類 <input type="checkbox"/> category III 第三類
Nearby Utility Post No. 最近公用設施編號	
Location Types 地點類別 (multiple answers allowed) 可選多於一項	<input checked="" type="checkbox"/> Roadside Landscaped Area 路旁綠化地帶 <input type="checkbox"/> Central Divider 中央分隔帶 <input type="checkbox"/> Tree Pit 樹穴 <input type="checkbox"/> Village Enclave 鄉村範圍 <input type="checkbox"/> Public Park/Recreation Venue 公園/康樂場地 <input type="checkbox"/> Unallocated Government Land 未撥用的政府土地 <input type="checkbox"/> Remote Countryside 偏遠郊區 <input type="checkbox"/> Recreational Site/Facilities inside Country Park 郊野公園內康樂用地或設施 <input type="checkbox"/> Vacant Government Land 政府空置土地 <input type="checkbox"/> SIMAR Slopes 系統性斜坡維修責任的斜坡 <input type="checkbox"/> Other (please specify) 其他 (請說明)

Tree Information 樹木基本資料

The size of a tree group should be defined by location types, such as public park, SIMAR slopes, tree pits, etc. with due consideration given to the limitations of visual tree assessment.  
在決定樹群的大小時，應考慮地點類別，例如公園、系統性斜坡維修責任的斜坡、樹坑等，並考慮視察方法的限制。

Main tree species in the group (DBH ≥ 95 mm) and minority tree species of significant size (i.e. approx. DBH ≥ 300 mm) 在群組內的主要樹種(胸徑 ≥ 95 毫米)及較少數但具重要性的樹種(胸徑 ≥ 300 毫米)	App. No. of Trees 約數	Height (m) From 樹高 (m) #	Height (m) To 樹高 (m) #	Overall Health Condition 整體健康狀況	Overall Structural Condition 整體結構狀況
(Please delete the "blank" rows before save 保存之前，請刪除"空"行)					
Lagerstroemia speciosa 大花紫薇(洋紫薇)	4	5.0	7.0	Fair 良	Fair 良
Roystonea regia 大王椰子(王棕)	40	5.5	16.0	Fair 良	Fair 良
Erythrina variegata 紅桐	1	5.0	5.0	Fair 良	Fair 良
Khaya senegalensis 非洲楸	6	5.0	14.0	Fair 良	Fair 良
Bauhinia x blakeana 洋紫荊	16	5.0	10.0	Fair 良	Fair 良
Bauhinia variegata 寶鏡千鈔甲	5	5.0	6.0	Fair 良	Fair 良
Ficus microcarpa 菩提樹(細葉榕)	5	6.0	7.0	Fair 良	Fair 良
Hibiscus tiliaceus 黃槿	4	5.0	6.0	Fair 良	Fair 良
Wodyetia bifurcata 孤地椰子	21	4.0	6.0	Fair 良	Fair 良
Terminalia mantaly 'Tricolour' 錦繡桐	8	5.0	7.0	Fair 良	Fair 良

Total No. of Trees 樹木總數: 110      No. of rows to be added: 1      Add Row      Delete Row

Overall Remarks 整體評語

This assessment recorded 110 nr. existing trees within the boundary. No registered Old and Valuable Tree or protected species was recorded. The general health and form of the trees are fair. Pruning work is recommended to the following trees: Retained trees No. T1644, T1654, T1668 to T1674, T1681, T1683, T1686, T1731, T1733, T1738, T1740 and T1741; Translated tree No. T1710.

Target 目標

Target (people or property potentially affected by tree/branch failure) 目標 (及樹木倒塌或枝條斷裂時可能受影響的人或財產)

Does target exist? 目標物是否存在?	<input checked="" type="checkbox"/> Yes / 是	<input type="checkbox"/> No / 否
Can target be moved? 目標物可移動?	<input checked="" type="checkbox"/> Yes / 是	<input type="checkbox"/> No / 否
Can the use of site be restricted? 可否限制場地的使用?	<input checked="" type="checkbox"/> Yes / 是	<input type="checkbox"/> No / 否
Frequency of use of location 使用地點的頻率程度:	<input checked="" type="checkbox"/> Occasional Use 偶爾使用 <input type="checkbox"/> Intermittent Use 間歇使用 <input type="checkbox"/> Frequent Use 經常使用 <input type="checkbox"/> Constant Use 恆常使用	

Identification of Trees for Remedial Action or Detailed Tree Risk Assessment (Form 2) 標記樹木以採取風險減低措施或進行詳細樹木風險評估 (表格 2)

Trees falling under the following criteria 樹木屬於以下任何一項或數項	Number of trees 樹木數目	Remedial action or detailed tree risk assessment (Form 2) 採取的減低風險措施或表格 2	Anticipated Completion Date 預計完成日期	Actual Completion Date 完成日期

(1) Old and Valuable Tree (OVT) 古樹名木				
(2) Stonewall tree 石牆樹				
(3) Trees on complaint list with structural or health problems 投訴個案中有結構或健康問題的樹木				
(4) Trees belonging to species with brittle wood structure and having unsatisfactory health or structural conditions with failure potential 屬木質脆弱品種而健康或結構欠佳的而具倒塌風險的樹木				
(5) Tree with major defects or health problems 有明顯缺陷或健康問題的樹木				
(6) Trees growing in very stressful site conditions with failure potential 生長於非常擠壓環境的樹木並有樹枝或樹幹倒塌風險				
(7) Mature trees 已屆成熟樹齡				

Summary of Statistic on TRIAGE Trees 分流樹木統計總結

Black 黑		Red 紅		Yellow 黃	
---------	--	-------	--	----------	--

Attached information 附夾資料

(Maximum 10 attachments and total 25MB allowed 最多可容納10個附件並合計不多於25MB)

Site Plan 場地平面圖 (Provide at least 1 site plan 最少提供一個場地平面圖)	Add Site Plan	Delete Site Plan
1 Attach_20180308122546.pdf Description 說明: Tree location plan		

Photo Record 樹木照片 (Provide at least 1 photo record 最少提供一個相片紀錄)	Add Photo Record	Delete Photo Record
1 Attach_20180308144534.JPG Description 說明: General view		
2 Attach_20180308144539.JPG Description 說明: General view		
3 Attach_20180308144543.JPG Description 說明: General view		
4 Attach_20180308144547.JPG Description 說明: General view		
5 Attach_20180308144551.JPG Description 說明: General view		
6 Attach_20180308144554.JPG Description 說明: General view		
7 Description 說明:		
8 Description 說明:		
9 Description 說明:		

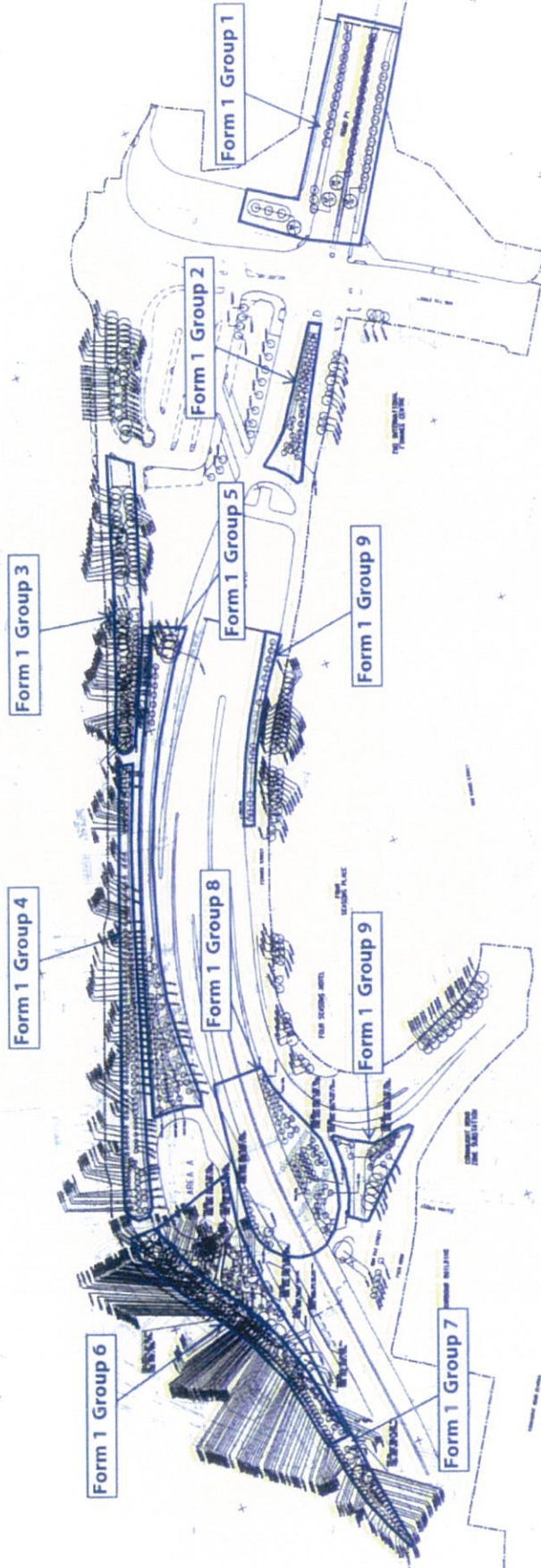
Other Attachments 其他附件 (Please specific 請註明)	Add Others	Delete Others
1 Subject Title 標題: Description 說明:		

Note 注意

Please read in conjunction with TMU's Guidelines on Tree Risk Assessment and Management Arrangement and relevant Technical Circulars promulgated on Development Bureau website www.trees.gov.hk  
請參閱發展局網頁 www.trees.gov.hk 樹木管理辦事處的樹木風險評估安排及管理指引及相關技術通告



SCHEDULE OF MATERIALS	
NO.	DESCRIPTION
1	...
2	...
3	...
4	...
5	...
6	...
7	...
8	...
9	...
10	...
11	...
12	...
13	...
14	...
15	...
16	...
17	...
18	...
19	...
20	...
21	...
22	...
23	...
24	...
25	...
26	...
27	...
28	...
29	...
30	...
31	...
32	...
33	...
34	...
35	...
36	...
37	...
38	...
39	...
40	...
41	...
42	...
43	...
44	...
45	...
46	...
47	...
48	...
49	...
50	...
51	...
52	...
53	...
54	...
55	...
56	...
57	...
58	...
59	...
60	...
61	...
62	...
63	...
64	...
65	...
66	...
67	...
68	...
69	...
70	...
71	...
72	...
73	...
74	...
75	...
76	...
77	...
78	...
79	...
80	...
81	...
82	...
83	...
84	...
85	...
86	...
87	...
88	...
89	...
90	...
91	...
92	...
93	...
94	...
95	...
96	...
97	...
98	...
99	...
100	...



Tree Location Plan

EXTRACTED FROM WERK INC. DRAWING NO. 60055653/C1/9011. 9012. 9013.



Photo Record of Tree Risk Assessment Form I Report - Group 7



Attach\_20180308144534



Attach\_20180308144539



Attach\_20180308144543



Attach\_20180308144547



Attach\_20180308144551



Attach\_20180308144554



# Contractor's Submission Form



Leighton Contractors  
(Asia) Limited

39/F Sun Hung Kai Centre  
30 Harbour Road, Hong Kong

t: +852 2823 1111  
f: +852 2529 8784

Ref: H2540/CSF/OPR/03372-R0

Date: - 4 APR 2018

Contract: HY/2009/18 – Central-Wan Chai Bypass - Central Interchange

To: Engineer's Representative, The Chief Resident Engineer Mr. David Kwan

Title of Submission: Tree Risk Assessment Form 1 Report 2018 (Group 8)

Specification:

We are pleased to submit the following for your review and comment

Description:

Reference is made to Variation Order No. V/155 under letter ref. CWB/(HY/2009/18)/C55/800/18B011734 dated 02 January 2018, we submit herewith the Tree Risk Assessment Form 1 Report (Group 8) for your record.

Purpose of Submission:

FOR APPROVAL

FOR RECORD OR INFORMATION

Contractor's Representative

Signature:

Name: Jimmy Chu

Position: Project Manager

Date: 27 March 2018

Distribution: JC / J&C

Prepared by: WJ

Tree Management Information System (TMIS) 樹木管理資訊系統  
Tree Risk Assessment Form 1: Tree Group Inspection  
樹木風險評估表格 1: 樹群檢查

Note:  
Please enable macro before using this workbook  
(Please Save this Workbook as a PDF format)

General Information 基本資料

Dept. Agency 機構	HyD	Inspection Officer 巡查人員	Mr. NG Sze Yuen, Jason	Post 職位	C.A. ISA Cert No. HK-1229A
File Ref. 檔案編號	C2241/18/TGD0523	Endorsement Officer 覆核人員	Mr. HO Tat Pul, Daniel	Post 職位	C.A. ISA Cert No. HK-0764A
Date of Inspection 巡查日期	02/02/2018	Last Inspection Date 上次巡查日期			
Agency/Project / 工程/ Contract No. 合約編號	HY/2009/18				
Inspection Frequency 巡查週期	12 months 個月				

Location Information 位置資料

Master Zone Departmental Ref. 主區編號	Central				
Sub Zone Departmental Ref. 副區編號	Central - Group 8				
English Location 英文地點	Kong Chung Lane				
Chinese Location 中文地點	卷中里				
Tree Risk Management Zone 樹木風險管理地點類別	<input checked="" type="checkbox"/> category I 第一類 <input type="checkbox"/> category II 第二類 <input type="checkbox"/> category III 第三類				
Nearby Utility Post No. 附近公用設施編號					
Location Types 地點類別 (multiple answers allowed 可選多於一項)	<input checked="" type="checkbox"/> Roadside Landscaped Area 路旁綠化地區 <input type="checkbox"/> Central Divider 中央分隔帶 <input type="checkbox"/> Tree Pit 樹穴 <input type="checkbox"/> Village Enclave 鄉村基圍 <input type="checkbox"/> Public Park/Recreation Venue 公園/康樂場地 <input type="checkbox"/> Unallocated Government Land 未撥用的政府土地 <input type="checkbox"/> Remote Countryside 偏遠郊區 <input type="checkbox"/> Recreational Site Facilities inside Country Park 郊野公園內康樂用地或設施 <input type="checkbox"/> Vacant Government Land 政府空置土地 <input type="checkbox"/> SIMLAR Slopes 系統性斜坡維修責任斜坡 <input type="checkbox"/> Others (please specify) 其他 (請說明)				

Tree Information 樹木基本資料

The size of a tree group should be defined by location types, such as public park, SIMLAR slopes, tree pits, etc. with due consideration given to the limitations of visual tree assessment.  
 在決定樹群的大小時，應參照地點類別，如公園、系統性斜坡維修責任的斜坡、樹坑等，並考慮目視法的地點。

Main tree species in the group (DBH ≥ 95 mm) and minority tree species of significant size (i.e. approx. DBH ≥ 300 mm) 在樹群中的主要樹種(樹徑 ≥ 95 毫米) 及少數的樹種(樹徑 ≥ 300 毫米)	App. No. of Trees 大約樹木數目	Height (m) From 樹高 (米) 由	Height (m) To 樹高 (米) 至	Overall Health Condition 樹群健康狀況	Overall Structural Condition 樹群結構狀況
(Please delete the "blank" rows before save 保存之前，請刪除"空白"的行)					
Ficus altissima 高山榕(假榕)	1	6.0	6.0	Fair 良	Fair 良
Tabebuia chrysantha (syn. Tabebuia chrysothicha) 黃檀木(黃檀木)	32	5.0	6.5	Fair 良	Fair 良
Terminata mantaly "Tricolour" 錦葵樹	15	5.0	6.5	Fair 良	Fair 良
Bauhinia variegata var. candida 白花洋紫荊	7	5.0	6.0	Fair 良	Fair 良
Xanthostemon chrysanthus 金黃桃	8	5.0	6.5	Fair 良	Fair 良

Total No. of Trees 樹木總數: 63    No. of rows to be added: 1    Add Row    Delete Row

Overall Remarks 整體評語  
 This assessment recorded 63 nr. existing trees within the boundary. No registered Old and Valuable Tree or protected species was recorded. The general health and form of the trees are fair.

Target 目標

Target (people or property potentially affected by tree/branch failure) 目標 (因樹木倒塌或枝條斷裂而受影響的人或財產)

Does target exist? 目標是否存在?     Yes / 是     No / 否

Can target be moved? 能否移動目標?     Yes / 是     No / 否

Can the use of site be restricted? 可否限制場地的使用?     Yes / 是     No / 否

Frequency of use of location 使用該地點的頻率程度:  
 Occasional Use 偶爾使用   
  Intermittent Use 間歇使用   
  Frequent Use 經常使用   
  Constant Use 恆常使用

Identification of Trees for Remedial Action or Detailed Tree Risk Assessment (Form 2) 識別樹木以採取風險檢減措施或進行詳細樹木風險評估 (表格 2)

Trees falling under the following criteria 符合下列任何一項或多項的樹木	Number of trees 樹木數目	Remedial action or detailed tree risk assessment (Form 2) 採取風險檢減措施或進行詳細樹木風險評估 (表格 2)	Anticipated Completion Date 預計完成日期	Actual Completion Date 實際完成日期
(1) Old and Valuable Tree (OVT) 古樹名木				



(2) Stonewall tree 石牆樹				
(3) Trees on complaint list with structural or health problems 投訴個案中有結構或健康問題的樹木				
(4) Trees belonging to species with brittle wood structure and having unsatisfactory health or structural conditions with failure potential 屬木質脆弱品種而健康或結構欠佳而具有倒塌風險的樹木				
(5) Tree with major defects or health problems 有明显缺陷或健康問題的樹木				
(6) Trees growing in very stressful site conditions with failure potential 生長於非常擠壓環境的樹木，並有樹枝或樹幹倒塌風險				
(7) Mature trees 已屆成熟樹齡				

Summary of Statistic on TRIAGE Trees 分流樹木統計總結

Black 黑		Red 紅		Yellow 黃	
---------	--	-------	--	----------	--

Attached Information 附夾資料

(Maximum 10 attachments and total 25MB allowed 最多可容納10個附件並合計不多於25MB)

Site Plan 場地平面圖 (Provide at least 1 site plan 最少提供一個場地平面圖)	Add Site Plan	Delete Site Plan
1 Attach_20180223123117.pdf Description 說明: Tree Location Plan		

Photo Record 樹木照片 (Provide at least 1 photo record 最少提供一個相片紀錄)	Add Photo Record	Delete Photo Record
1 Attach_20180308174821.JPG Description 說明: General View		
2 Attach_20180308174826.JPG Description 說明: General View		
3 Attach_20180308174829.JPG Description 說明: General View		
4 Attach_20180308174834.JPG Description 說明: General View		
5 Attach_20180308174839.JPG Description 說明: General View		
6 Attach_20180308174844.JPG Description 說明: General View		
7 Description 說明:		
8 Description 說明:		
9 Description 說明:		

Other Attachments 其他附件 (Please specific 請註明)	Add Others	Delete Others
1 Subject Title 標題: Description 說明:		

Note 注意

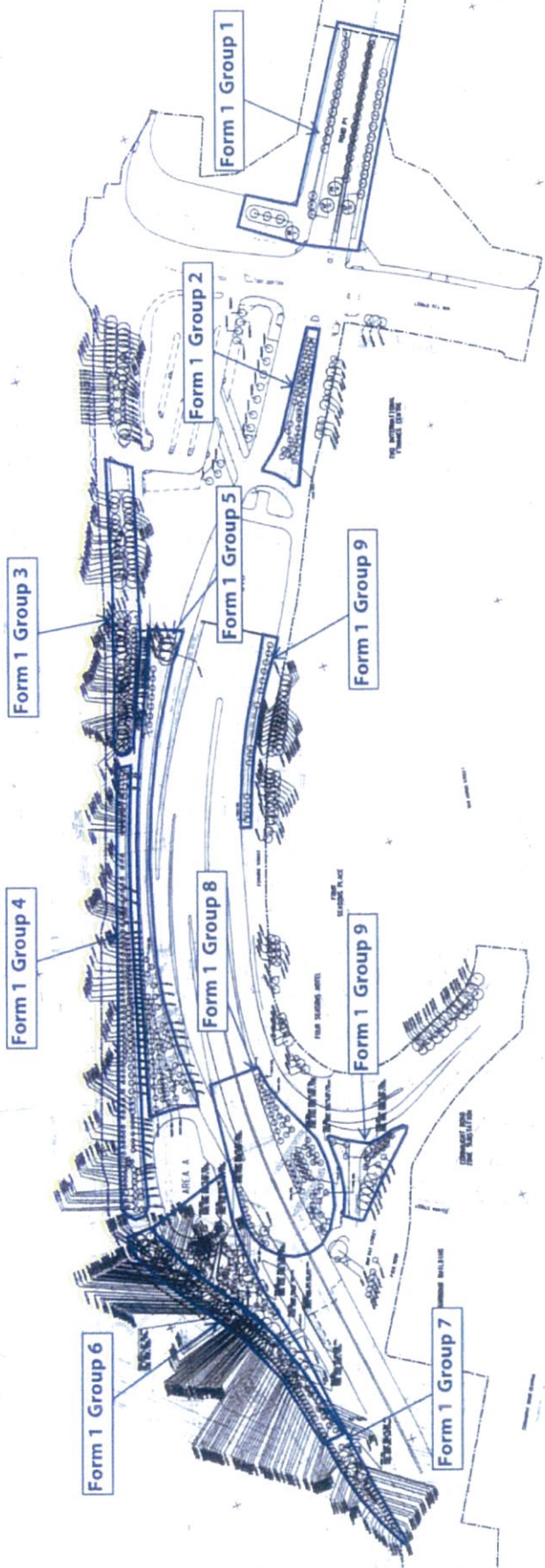
Please read in conjunction with TM0's Guidelines on Tree Risk Assessment and Management Arrangement and relevant Technical Circulars promulgated on Development Bureau website www.trees.gov.hk  
請參閱發展局網頁 www.trees.gov.hk 載有「管理樹木的樹木風險評估安排及管理指引」及相關技術通告。



NO.	DESCRIPTION	DATE
1	AS-BUILT	11/11/03
2	REVISION	11/11/03
3	REVISION	11/11/03
4	REVISION	11/11/03
5	REVISION	11/11/03
6	REVISION	11/11/03
7	REVISION	11/11/03
8	REVISION	11/11/03
9	REVISION	11/11/03
10	REVISION	11/11/03
11	REVISION	11/11/03
12	REVISION	11/11/03
13	REVISION	11/11/03
14	REVISION	11/11/03
15	REVISION	11/11/03
16	REVISION	11/11/03
17	REVISION	11/11/03
18	REVISION	11/11/03
19	REVISION	11/11/03
20	REVISION	11/11/03

SYMBOL	DESCRIPTION
(Symbol)	EXISTING TREE
(Symbol)	PROPOSED TREE
(Symbol)	PROPOSED TREE GROUP
(Symbol)	PROPOSED TREE GROUP 1
(Symbol)	PROPOSED TREE GROUP 2
(Symbol)	PROPOSED TREE GROUP 3
(Symbol)	PROPOSED TREE GROUP 4
(Symbol)	PROPOSED TREE GROUP 5
(Symbol)	PROPOSED TREE GROUP 6
(Symbol)	PROPOSED TREE GROUP 7
(Symbol)	PROPOSED TREE GROUP 8
(Symbol)	PROPOSED TREE GROUP 9
(Symbol)	PROPOSED TREE GROUP 10
(Symbol)	PROPOSED TREE GROUP 11
(Symbol)	PROPOSED TREE GROUP 12
(Symbol)	PROPOSED TREE GROUP 13
(Symbol)	PROPOSED TREE GROUP 14
(Symbol)	PROPOSED TREE GROUP 15
(Symbol)	PROPOSED TREE GROUP 16
(Symbol)	PROPOSED TREE GROUP 17
(Symbol)	PROPOSED TREE GROUP 18
(Symbol)	PROPOSED TREE GROUP 19
(Symbol)	PROPOSED TREE GROUP 20



Tree Location Plan

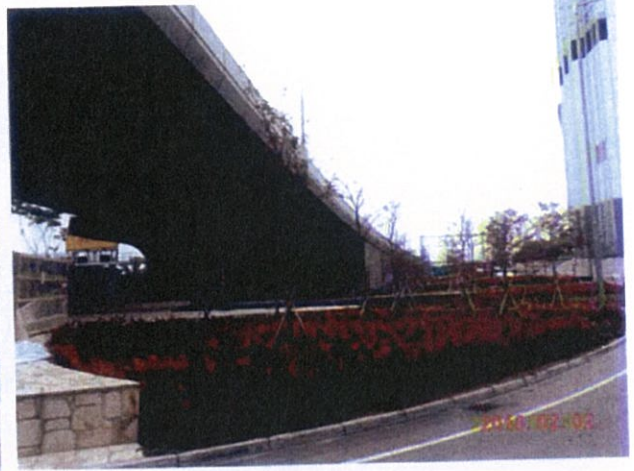
EXTRACTED FROM WORK INC. DRAWING NO. 6005653/CL/9011 - 9017 - 9011



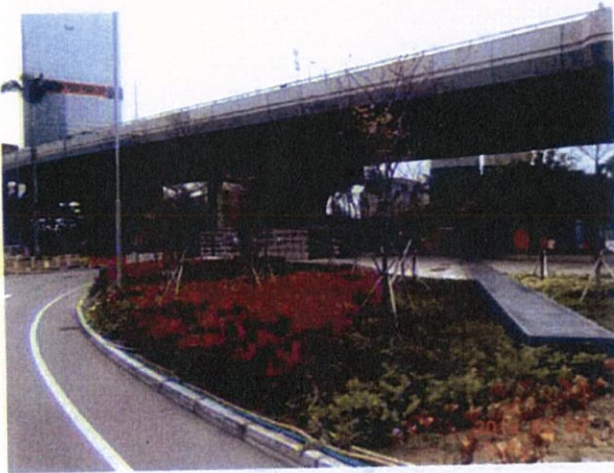
Photo Record of Tree Risk Assessment Form 1 Report - Group 8



Attach\_20180308174821



Attach\_20180308174826



Attach\_20180308174829



Attach\_20180308174834

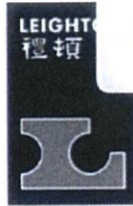


Attach\_20180308174839



Attach\_20180308174844

# Contractor's Submission Form



18A021028

Leighton Contractors  
(Asia) Limited

9/F Sun Hung Kai Centre  
30 Harbour Road, Hong Kong



t: +852 2823 1111  
f: +852 2529 8784

Ref: H2540/CSF/OPR/03373-R0

Date: - 4 APR 2018

- 4 APR 2018

Contract: HY/2009/18 – Central-Wan Chai Bypass - Central Interchange

To: Engineer's Representative, The Chief Resident Engineer Mr. David Kwan	
Title of Submission: Tree Risk Assessment Form 1 Report 2018 (Group 9)	
Specification:	
We are pleased to submit the following for your review and comment	
Description:  Reference is made to Variation Order No. V/155 under letter ref. CWB/(HY/2009/18)/C55/800/18B011734 dated 02 January 2018, we submit herewith the Tree Risk Assessment Form 1 Report (Group 9) for your record.	
Purpose of Submission:	<input type="checkbox"/> FOR APPROVAL <input checked="" type="checkbox"/> FOR RECORD OR INFORMATION
Contractor's Representative Signature:  	
Name: Jimmy Chu Position: Project Manager Date: 27 March 2018	
Distribution: JC / 	

Prepared by: WJ



**Tree Management Information System (TMIS) 樹木管理資訊系統**  
**Tree Risk Assessment Form 1: Tree Group Inspection**  
**樹木風險評估表格 1: 樹群檢查**

Note:  
 Please enable macro before using this worksheet.  
 (Please Save this Worksheet as a File first)  
 (請先將此工作簿另存為檔案)

**General Information 基本資料**

Dept. / Agency 部門	HyD	Inspection Officer 查核人員	Mr. NG Sze Yuen, Jason	Post 職位	C.A. ISA Cert No. HK-1228A
File Ref. 檔案編號	C2241/18/TGD0523	Endorsement Officer 覆核人員	Mr. HO Tai Pui, Daniel	Post 職位	C.A. ISA Cert No. HK-0794A
Date of Inspection 檢查日期	02/02/2018	Last Inspection Date 上次檢查日期	10/01/2017		
Agency / Project / Contract No. 部門/工程/合約編號	HY/2009/18				
Inspection Frequency 檢查週期	12 months 12個月				

**Location Information 位置資料**

Master Zone Departmental Ref. 區區編號	Central				
Sub Zone Departmental Ref. 區區編號	Central Group 9				
English Location 英文地點	Kong Chung Lane				
Chinese Location 中文地點	忠臣道				
Tree Risk Management Zone 樹木風險管理區域	<input checked="" type="checkbox"/> category I 第一類	<input type="checkbox"/> category II 第二類	<input type="checkbox"/> category III 第三類		
Nearby Utility Post No. 附近公用設施編號					
Location Types 地點類別 (multiple answers allowed) 可選多項一項	<input checked="" type="checkbox"/> Residential/Developed Area 住宅/發展地區	<input type="checkbox"/> Central District 中區	<input type="checkbox"/> Tree Pits 樹穴	<input type="checkbox"/> Utility Enclosure 設施範圍	
	<input type="checkbox"/> Public Park/Recreation Area 公園/康樂場地	<input type="checkbox"/> Undeveloped Government Land 未發展的政府土地	<input type="checkbox"/> Roadside 路邊	<input type="checkbox"/> Other 其他	
	<input type="checkbox"/> Remote Location 偏遠地區	<input type="checkbox"/> Residential Site/Leisure/Community Park 住宅/康樂/社區公園	<input type="checkbox"/> SIMAR Slopes 系統斜坡	<input type="checkbox"/> Other 其他	
	<input type="checkbox"/> Vicinity Government Land 政府空曠土地	<input type="checkbox"/> Other 其他			
	<input type="checkbox"/> Other (Please specify) 其他(請說明)				

**Tree Information 樹木基本資料**

The size of a tree group should be defined by location types, such as public park, SIMAR slopes, tree pits, etc. with due consideration given to the limitations of visual tree assessment.  
 在決定樹群的大小時，應根據地點類別，例如：公園、系統斜坡、樹穴等，並考慮視察樹木評估的局限性。

Main tree species in the group (DBH ≥ 95 mm) and minority tree species of significant size (i.e. approx. DBH ≥ 300 mm) 在樹群中的主要樹種 (DBH ≥ 95 mm) 及少數具顯著尺寸的樹種 (DBH ≥ 300 mm)	App. No. of Trees 約樹木數目	Height (m) From 樹高 (m) 起	Height (m) To 樹高 (m) 止	Overall Health Condition 整體健康狀況	Overall Structural Condition 整體結構狀況
(Please delete the "blank" rows before save) (請刪除空白行)					
Khaya senegalensis 柚木	7	5.0	10.0	Fair 良	Fair 良
Tabebuia chrysantha (syn. Tabebuia chrysantha) 黃木	5	5.0	6.0	Fair 良	Fair 良
Xanthostemon chrysanthus 金鐘樹	14	5.0	6.5	Fair 良	Fair 良
Wodyetia bifurcata 紅尾木 (紅尾椰子)	10	4.0	5.5	Fair 良	Fair 良
Total No. of Trees 樹木總數	36	No. of rows to be added: 1	Add Row	Delete Row	

**Overall Remarks 整體評語**

This assessment recorded 36 nr. existing trees within the boundary. No registered Old and Valuable Tree or protected species was recorded. The general health and form of the trees are fair. Pruning work is recommended to the retained trees No. T1869 to T1866 and the Wodyetia bifurcata 10 Nos.

**Target 目標**

Target (people or property potentially affected by tree/branch failure) 目標 (可能受樹木或枝條倒塌影響的人或財產)

Does target exist? 目標是否存在?	<input checked="" type="checkbox"/> Yes / 是	<input type="checkbox"/> No / 否		
Can target be moved? 能否移動目標?	<input type="checkbox"/> Yes / 是	<input checked="" type="checkbox"/> No / 否		
Can the use of site be restricted? 可否限制場地的用途?	<input type="checkbox"/> Yes / 是	<input checked="" type="checkbox"/> No / 否		
Frequency of use of location 使用該地點的頻密程度	<input type="checkbox"/> Occasional Use 偶爾使用	<input type="checkbox"/> Intermittent Use 間歇使用	<input type="checkbox"/> Frequent Use 頻密使用	<input checked="" type="checkbox"/> Constant Use 經常使用

**Identification of Trees for Remedial Action or Detailed Tree Risk Assessment (Form 2) 識別樹木以採取風險緩解措施或進行詳細樹木風險評估 (表格 2)**

Trees falling under the following criteria 符合下列條件的樹木 (填多於一項即可)	Number of trees 樹木數目	Remedial action or detailed tree risk assessment (Form 2) 採取的措施或進行詳細樹木風險評估 (表格 2)	Anticipated Completion Date 預計完成日期	Actual Completion Date 實際完成日期
(1) Old and Valuable Tree (OVT) 古樹名木				
(2) Stonewall tree 石圍樹				

(3) Trees on complaint list with structural or health problems 投訴個案中有結構或健康問題的樹木				
(4) Trees belonging to species with brittle wood structure and having unsatisfactory health or structural conditions with failure potential 屬木質脆弱品種而健康或結構欠佳而具倒塌風險的樹木				
(5) Tree with major defects or health problems 有明顯缺陷或健康問題的樹木				
(6) Trees growing in very stressful site conditions with failure potential 生長於非常擠壓環境的樹木並有樹枝或樹幹倒塌風險				
(7) Mature trees 已留成熟樹齡				

Summary of Statistic on TRIAGE Trees 分級樹木統計總結

Black 黑		Red 紅		Yellow 黃	
---------	--	-------	--	----------	--

Attached Information 附夾資料

(Maximum 10 attachments and total 25MB allowed 最多可容納10個附件並合計不多於25MB)

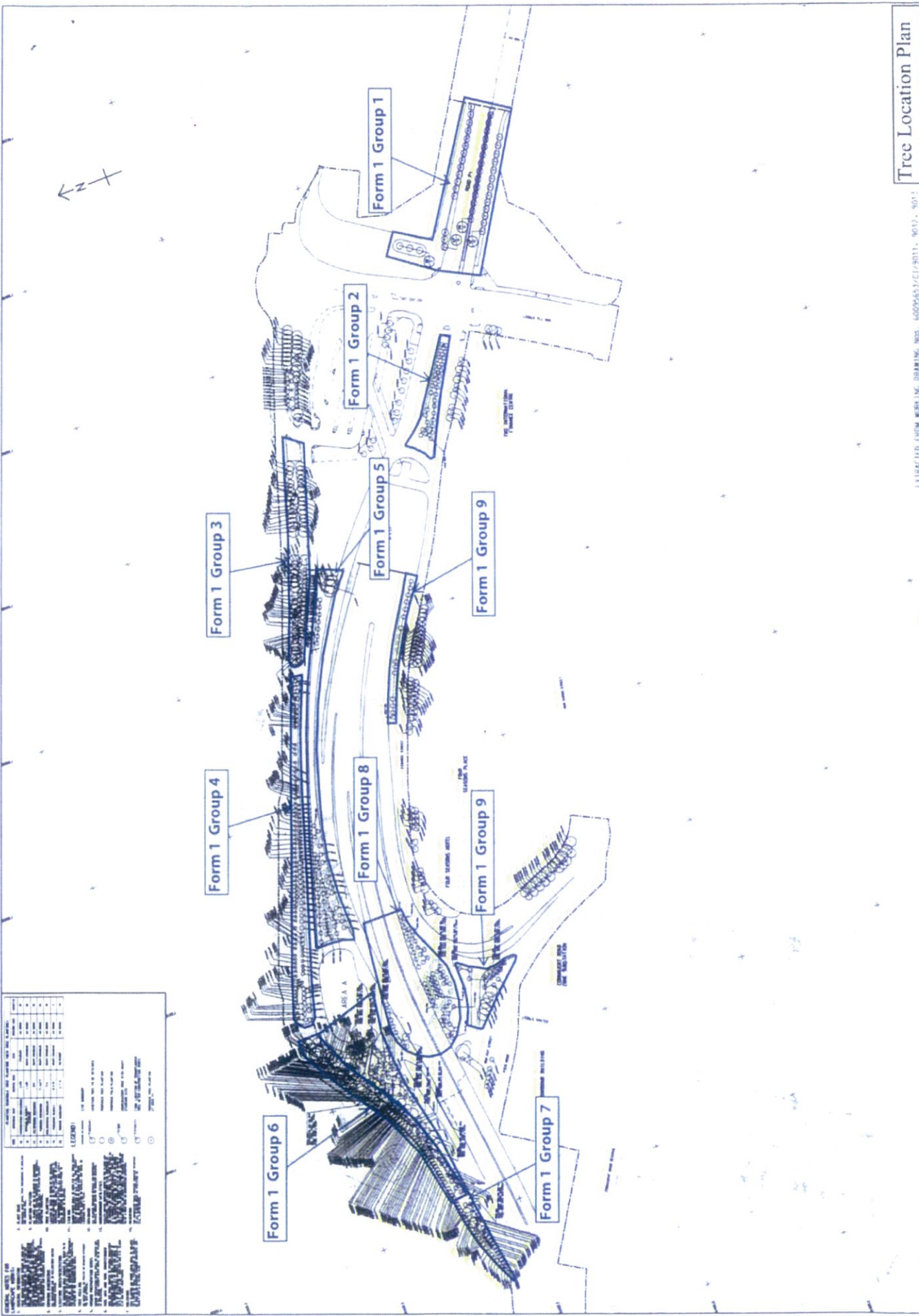
Site Plan 場地平面圖 (Provide at least 1 site plan 最少提供一個場地平面圖)		Add Site Plan	Delete Site Plan
1	Attach_20180223124141.pdf Description 說明: Tree Location Plan		
Photo Record 樹木照片 (Provide at least 1 photo record 最少提供一個相片記錄)		Add Photo Record	Delete Photo Record
1	Attach_20180308175757.JPG Description 說明: General View		
2	Attach_20180223124207.JPG Description 說明: General View		
3	Attach_20180223124212.JPG Description 說明: General View		
4	Attach_20180223124219.JPG Description 說明: General View		
5	Attach_20180223124224.JPG Description 說明: General View		
6	Attach_20180223124229.JPG Description 說明: General View		
7	Description 說明:		
8	Description 說明:		
9	Description 說明:		
Other Attachments 其他附件 (Please specific 請詳列)		Add Others	Delete Others
1	Subject Title 標題: Description 說明:		

Notes 注意

Please read in conjunction with TMO's Guidelines on Tree Risk Assessment and Management Arrangement and relevant Technical Circulars promulgated on Development Bureau website www.trees.gov.hk  
請參閱有關網頁 www.trees.gov.hk 中「管理樹木的樹木風險評估及管理工作」及有關技術通告。



SYMBOLS AND NOTATION	
	10' PLANTING STRIP
	15' PLANTING STRIP
	20' PLANTING STRIP
	25' PLANTING STRIP
	30' PLANTING STRIP
	35' PLANTING STRIP
	40' PLANTING STRIP
	45' PLANTING STRIP
	50' PLANTING STRIP
	55' PLANTING STRIP
	60' PLANTING STRIP
	65' PLANTING STRIP
	70' PLANTING STRIP
	75' PLANTING STRIP
	80' PLANTING STRIP
	85' PLANTING STRIP
	90' PLANTING STRIP
	95' PLANTING STRIP
	100' PLANTING STRIP
	105' PLANTING STRIP
	110' PLANTING STRIP
	115' PLANTING STRIP
	120' PLANTING STRIP
	125' PLANTING STRIP
	130' PLANTING STRIP
	135' PLANTING STRIP
	140' PLANTING STRIP
	145' PLANTING STRIP
	150' PLANTING STRIP
	155' PLANTING STRIP
	160' PLANTING STRIP
	165' PLANTING STRIP
	170' PLANTING STRIP
	175' PLANTING STRIP
	180' PLANTING STRIP
	185' PLANTING STRIP
	190' PLANTING STRIP
	195' PLANTING STRIP
	200' PLANTING STRIP
	205' PLANTING STRIP
	210' PLANTING STRIP
	215' PLANTING STRIP
	220' PLANTING STRIP
	225' PLANTING STRIP
	230' PLANTING STRIP
	235' PLANTING STRIP
	240' PLANTING STRIP
	245' PLANTING STRIP
	250' PLANTING STRIP
	255' PLANTING STRIP
	260' PLANTING STRIP
	265' PLANTING STRIP
	270' PLANTING STRIP
	275' PLANTING STRIP
	280' PLANTING STRIP
	285' PLANTING STRIP
	290' PLANTING STRIP
	295' PLANTING STRIP
	300' PLANTING STRIP
	305' PLANTING STRIP
	310' PLANTING STRIP
	315' PLANTING STRIP
	320' PLANTING STRIP
	325' PLANTING STRIP
	330' PLANTING STRIP
	335' PLANTING STRIP
	340' PLANTING STRIP
	345' PLANTING STRIP
	350' PLANTING STRIP
	355' PLANTING STRIP
	360' PLANTING STRIP
	365' PLANTING STRIP
	370' PLANTING STRIP
	375' PLANTING STRIP
	380' PLANTING STRIP
	385' PLANTING STRIP
	390' PLANTING STRIP
	395' PLANTING STRIP
	400' PLANTING STRIP
	405' PLANTING STRIP
	410' PLANTING STRIP
	415' PLANTING STRIP
	420' PLANTING STRIP
	425' PLANTING STRIP
	430' PLANTING STRIP
	435' PLANTING STRIP
	440' PLANTING STRIP
	445' PLANTING STRIP
	450' PLANTING STRIP
	455' PLANTING STRIP
	460' PLANTING STRIP
	465' PLANTING STRIP
	470' PLANTING STRIP
	475' PLANTING STRIP
	480' PLANTING STRIP
	485' PLANTING STRIP
	490' PLANTING STRIP
	495' PLANTING STRIP
	500' PLANTING STRIP
	505' PLANTING STRIP
	510' PLANTING STRIP
	515' PLANTING STRIP
	520' PLANTING STRIP
	525' PLANTING STRIP
	530' PLANTING STRIP
	535' PLANTING STRIP
	540' PLANTING STRIP
	545' PLANTING STRIP
	550' PLANTING STRIP
	555' PLANTING STRIP
	560' PLANTING STRIP
	565' PLANTING STRIP
	570' PLANTING STRIP
	575' PLANTING STRIP
	580' PLANTING STRIP
	585' PLANTING STRIP
	590' PLANTING STRIP
	595' PLANTING STRIP
	600' PLANTING STRIP
	605' PLANTING STRIP
	610' PLANTING STRIP
	615' PLANTING STRIP
	620' PLANTING STRIP
	625' PLANTING STRIP
	630' PLANTING STRIP
	635' PLANTING STRIP
	640' PLANTING STRIP
	645' PLANTING STRIP
	650' PLANTING STRIP
	655' PLANTING STRIP
	660' PLANTING STRIP
	665' PLANTING STRIP
	670' PLANTING STRIP
	675' PLANTING STRIP
	680' PLANTING STRIP
	685' PLANTING STRIP
	690' PLANTING STRIP
	695' PLANTING STRIP
	700' PLANTING STRIP
	705' PLANTING STRIP
	710' PLANTING STRIP
	715' PLANTING STRIP
	720' PLANTING STRIP
	725' PLANTING STRIP
	730' PLANTING STRIP
	735' PLANTING STRIP
	740' PLANTING STRIP
	745' PLANTING STRIP
	750' PLANTING STRIP
	755' PLANTING STRIP
	760' PLANTING STRIP
	765' PLANTING STRIP
	770' PLANTING STRIP
	775' PLANTING STRIP
	780' PLANTING STRIP
	785' PLANTING STRIP
	790' PLANTING STRIP
	795' PLANTING STRIP
	800' PLANTING STRIP
	805' PLANTING STRIP
	810' PLANTING STRIP
	815' PLANTING STRIP
	820' PLANTING STRIP
	825' PLANTING STRIP
	830' PLANTING STRIP
	835' PLANTING STRIP
	840' PLANTING STRIP
	845' PLANTING STRIP
	850' PLANTING STRIP
	855' PLANTING STRIP
	860' PLANTING STRIP
	865' PLANTING STRIP
	870' PLANTING STRIP
	875' PLANTING STRIP
	880' PLANTING STRIP
	885' PLANTING STRIP
	890' PLANTING STRIP
	895' PLANTING STRIP
	900' PLANTING STRIP
	905' PLANTING STRIP
	910' PLANTING STRIP
	915' PLANTING STRIP
	920' PLANTING STRIP
	925' PLANTING STRIP
	930' PLANTING STRIP
	935' PLANTING STRIP
	940' PLANTING STRIP
	945' PLANTING STRIP
	950' PLANTING STRIP
	955' PLANTING STRIP
	960' PLANTING STRIP
	965' PLANTING STRIP
	970' PLANTING STRIP
	975' PLANTING STRIP
	980' PLANTING STRIP
	985' PLANTING STRIP
	990' PLANTING STRIP
	995' PLANTING STRIP
	1000' PLANTING STRIP



Tree Location Plan

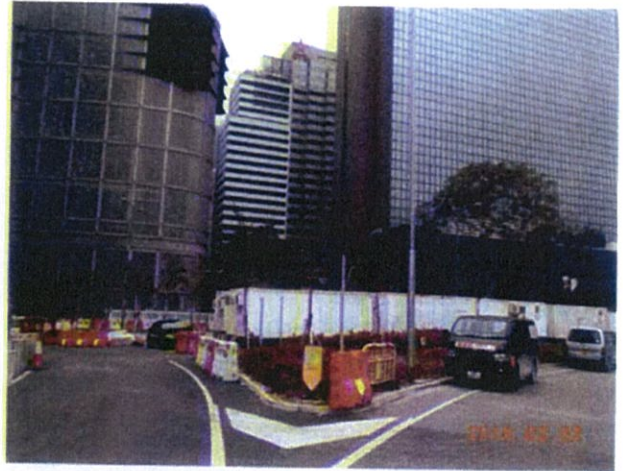
EXTRACTED FROM WORKING DRAWING NOS. 6009563/17/0011, 6012, 6013



Photo Record of Tree Risk Assessment Form 1 Report - Group 9



Attach\_20180308175757



Attach\_20180223124207



Attach\_20180223124212



Attach\_20180223124219



Attach\_20180223124224



Attach\_20180223124229



# **Annex E**

**Planting Layout Plans and Record  
Photos for Planters within  
Construction Site Area of Contract No.  
HY/2011/08**

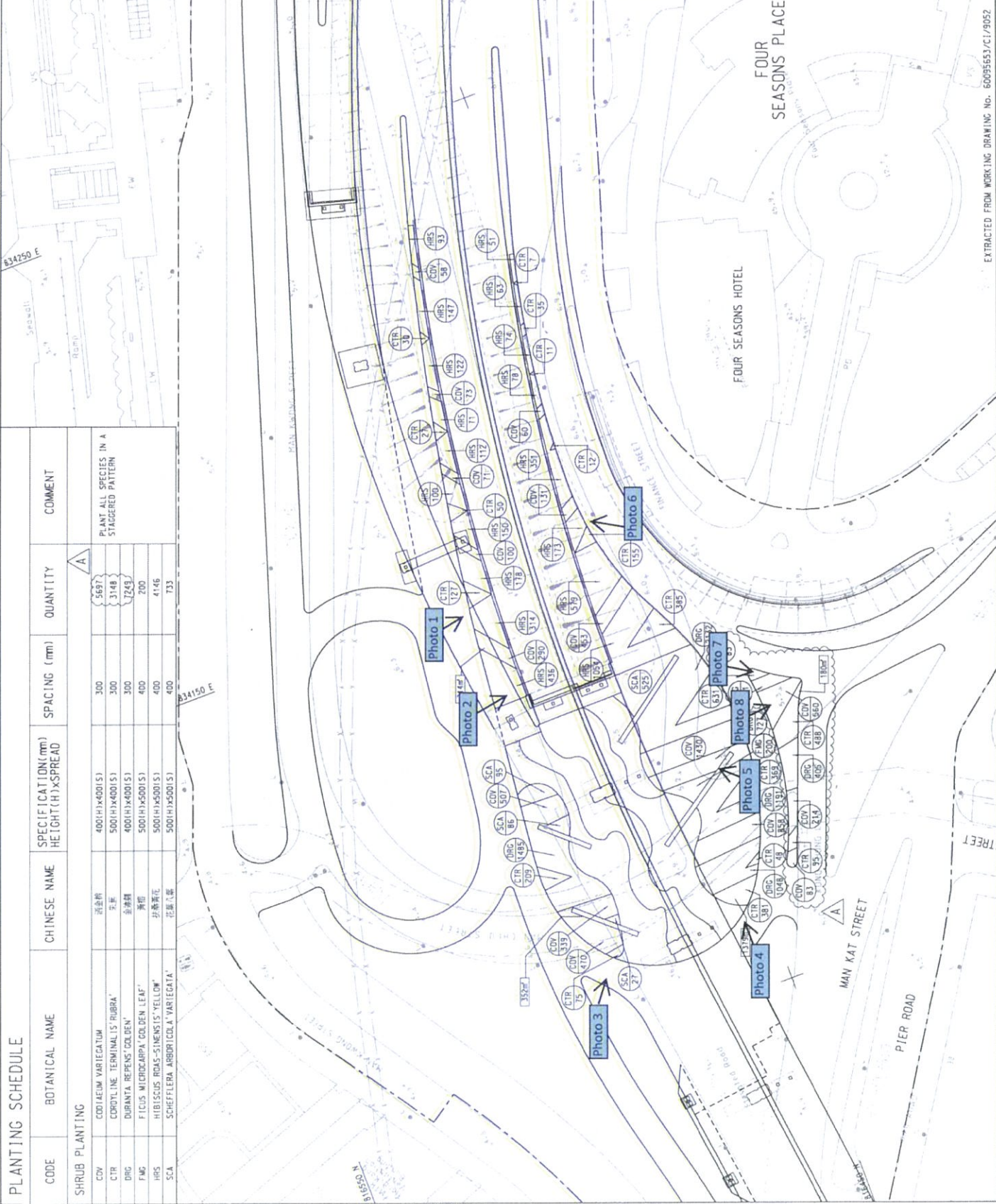
CODE	BOTANICAL NAME	CHINESE NAME	SPECIFICATION (mm) HEIGHT(H) x SPREAD	SPACING (mm)	QUANTITY	COMMENT
SHRUB PLANTING						
CDV	CODIAEUM VARIEGATUM	洒金桃	400(H)x400(S)	300	5697	PLANT ALL SPECIES IN A STAGGERED PATTERN
CTR	CODIOLINE TERMINALIS 'RUBRA'	红掌	500(H)x400(S)	300	3148	
DRG	DURANTA REPENS 'GOLDEN'	金锦娘	400(H)x400(S)	300	7243	
FMG	FICUS MICROCARPA 'GOLDEN LEAF'	黄印	500(H)x500(S)	400	200	
HRS	HIBISCUS ROSA-SINENSIS 'YELLOW'	黄葵	500(H)x500(S)	400	4146	
SCA	SCHAEFERIA AMBROICOLA 'VARIEGATA'	花露草	500(H)x500(S)	400	733	

**KEY PLAN**  
SCALE: 1:1000

**NOTE:**  
1. THIS DRAWING SHALL BE READ IN CONJUNCTION WITH  
SPEC. NO. 60095653/CI/9052.

**LEGEND:**

- SITE BOUNDARY
- SHRUB CODE
- QUANTITY



A	ISSUE FOR RECORD ONLY	KTH	CYC	NC
B	ISSUE FOR RECORD ONLY	KTH	DEC	NC
Rev:	Date:	Issue by:	Drawn/Checked/Drawn:	

**AECOM**

**CENTRAL - WAN CHAI BYPASS AND IEC LINK**  
CENTRAL - WAN CHAI BYPASS  
CENTRAL INTERCHANGE

**TITLE:** SHRUB PLANTING PLAN AT  
KONG CHUNG LANE PLANTER & PLANTER C

**SKETCH NO.:** 60095653/CI/5K1201A





Photo 1





Photo 2





Photo 3





Photo 4









Photo 6





Photo 7





Photo 8



**AECOM**

AECOM  
8/F, Grand Central Plaza, Tower 2,  
138 Shatin Rural Committee Road,  
Shatin, Hong Kong  
香港新界沙田鄉事會路 138 號  
新城市中央廣場第 2 座 8 樓  
www.aecom.com

Engineer's Representative's Office  
Room 1401-06, 14/F., Eastern Centre,  
1065 King's Road, Quarry Bay, H.K.  
香港鰂魚涌英皇道 1065 號  
東運中心 14 樓 1401-06 室  
+852 3650 1600 tel  
+852 3665 0106 fax

Your Ref. : -  
Our Ref. : CWB/(HY/2009/18)/C55/500/18B011800



18B011800

24 April 2018

Leisure and Cultural Services Department  
Leisure Services Branch  
Leisure Services Branch - Division 2  
Leisure Management/Hong Kong West  
Central and Western District Leisure Service Office  
Room 1001, 10/F., Sheung Wan Municipal Services Building,  
345 Queen's Road Central,  
Hong Kong.

Attn.: Mr. Lo Ying Hung, Michael

Dear Sir,

**Contract No. HY/2009/18**  
**Central-Wan Chai Bypass – Central Interchange**

**Final Handover Inspection of Planter at Finance Street**

I refer to the joint handover inspection amongst Mr. Michael Lo, Mr. Michael Cheng and Mr. Cheung Cheuk Wai (AECOM) and Miss Wayne Law (LCAL) on 16 April 2018 of the planters at Finance Street as shown in the enclosed location plan (**Annex A**).

I note that your department is satisfied with the condition of the planters and has no objection to taking over the horticultural maintenance thereof with effect from 17 April 2018.

I also record that the functional check of irrigation system for Man Po Street Planter (horticultural maintenance by LCSD since 1 August 2016) was satisfactory and the future watering for this planter would be handled by LCSD.

Lastly, I enclose herewith the drawings of irrigation system for both Finance Street Planter and Man Po Street Planter (**Annex B**), photos taken during the final handover inspection (**Annex C**) and also the Tree Risk Assessment Form 1 Report 2018 for Finance Street Planter (**Annex D**) for your record.

Should you have any queries, please free feel to contact my RE, Mr. Nelson Chin at 6461 8784.

Yours faithfully,  
For and on behalf of  
AECOM Asia Co. Ltd.

David Kwan  
Chief Resident Engineer



P.2

Your Ref. : -  
Our Ref. : CWB/(HY/2009/18)/C55/500/18B011800

Encl.

c.c. CE3/MW, HyD - Attn : Mr. W.K. Lo ] – w/encl.

e.c. AECOM - Attn.: Mr. Alex Li / Ms. Ivy Chung  
RSS - PP, YN

Response required : Yes / No

DK/RY/NC/AWHC/CFC/al

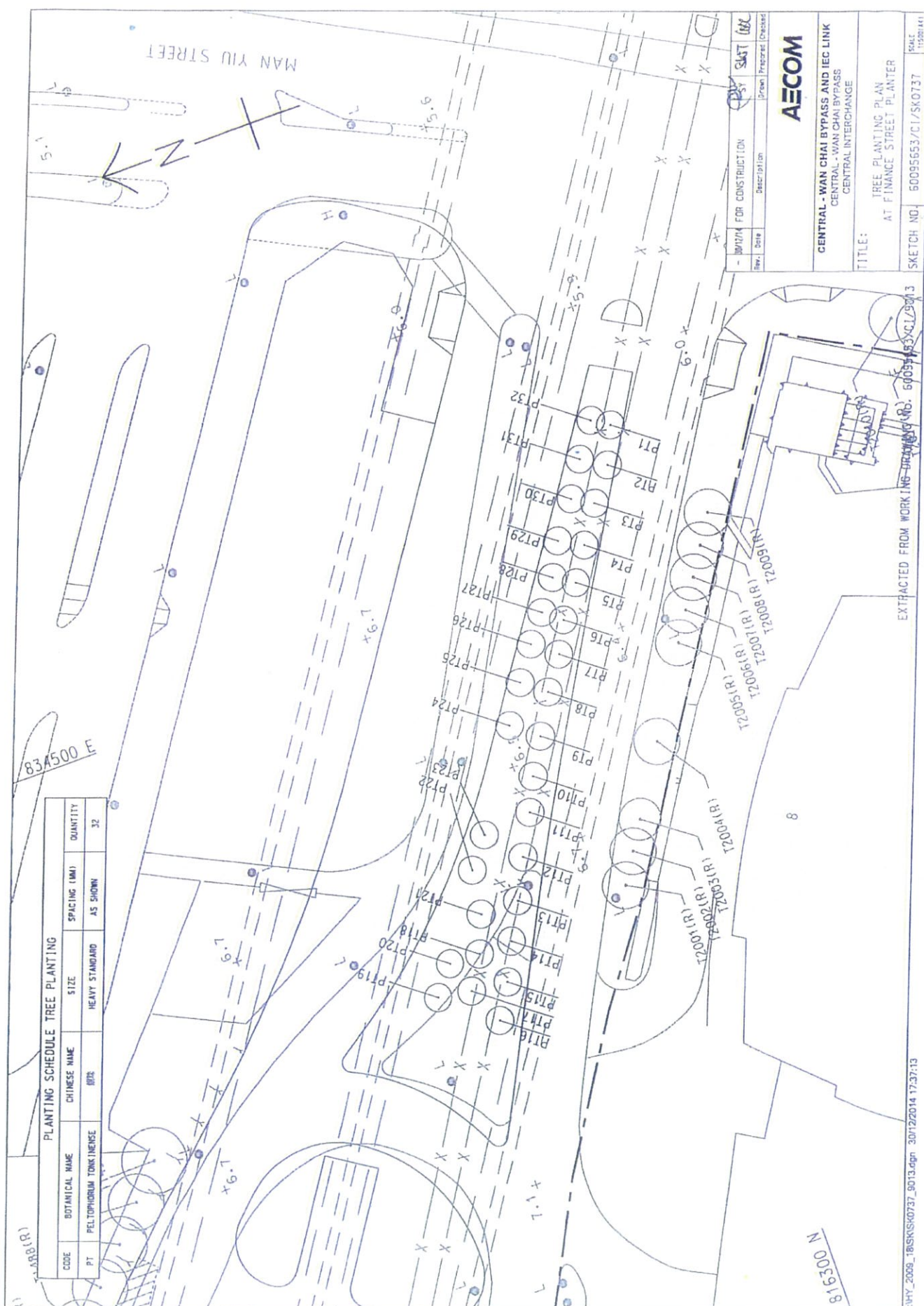


**Annex A**

**Location Plan and Planting  
Information**







PLANTING SCHEDULE TREE PLANTING					
CODE	BOTANICAL NAME	CHINESE NAME	SIZE	SPACING (MM)	QUANTITY
PT	PELTOPHORUM TONKINENSE	紅仔	HEAVY STANDARD	AS SHOWN	32

Rev.	Date	Description	Prepared	Checked
01		FOR CONSTRUCTION	SAIT	WAC

**AECOM**

**CENTRAL - WAN CHAI BYPASS AND IEC LINK**  
 CENTRAL - WAN CHAI BYPASS  
 CENTRAL INTERCHANGE

TITLE:  
 TREE PLANTING PLAN  
 AT FINANCE STREET PLANTER

SKETCH NO. 60095653/C1/SK0737

EXTRACTED FROM WORKING DRAWING NO. 60095653/C1/SK0737

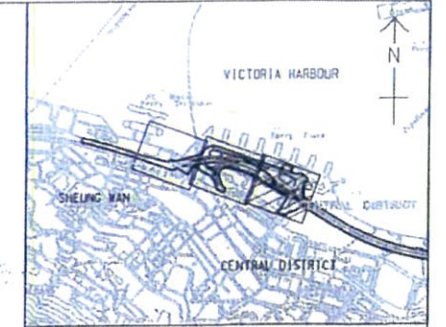
T:\HY\_2009\_18\SKS\K0737\_8013.dgn 30/12/2014 17:37:13

SCALE  
 1:500 (A4)

**Annex B**

**Drawings of Irrigation System**





- NOTES:
- FOR NOTES AND LEGEND SEE DRG. NO. 60095653/CI/2401.
  - THE DETAILS OF WATER METER AND WATER POINT FOR IRRIGATION SYSTEM WP9-3 TO WP9-5 AND WP9-7 TO WP9-8 SHALL REFER TO SITE SKETCH NO. 60095653/CI/SK1137.
  - VERTICAL PLUMBING LINE DIAGRAM SHALL REFER TO DRG NOS. 60095653/CI/SK1027 AND SK1028.
  - DN PIPE SIZES REFER TO INTERNAL DIAMETER OF PIPE.

- LEGEND:
- LOOSE JUMPER TYPE STOPCOCK
  - NEW WATER METER BOX FOR IRRIGATION
  - DN 20 NEW POLYETHYLENE (PE) PIPE TO BS 150 4427 AND BS EN 12201
  - NEW TAPER
  - NEW STOP VALVE
  - FOOTPATH
  - AMENITY AREA
  - DRIVEWAY
  - EXISTING WATERPOINT
  - EXISTING WATERPOINT TO BE DEMOLISHED
  - NEW LOOSE JUMPER TYPE STOP COCK
  - NEW WATERPOINT
  - IRRIGATION POINT COVERING AREA
  - U/G UNDERGROUND
  - L/L LOWER LEVEL

Rev.	Date	Description	Drawn	Prepared	Checked
A	04/01/17	GENERAL REVISIONS	KYH	CH	NC
-	16/05/16	FOR CONSTRUCTION	SY	CH	NC

**AECOM**

CENTRAL - WAN CHAI BYPASS AND IEC LINK  
CENTRAL - WAN CHAI BYPASS  
CENTRAL INTERCHANGE

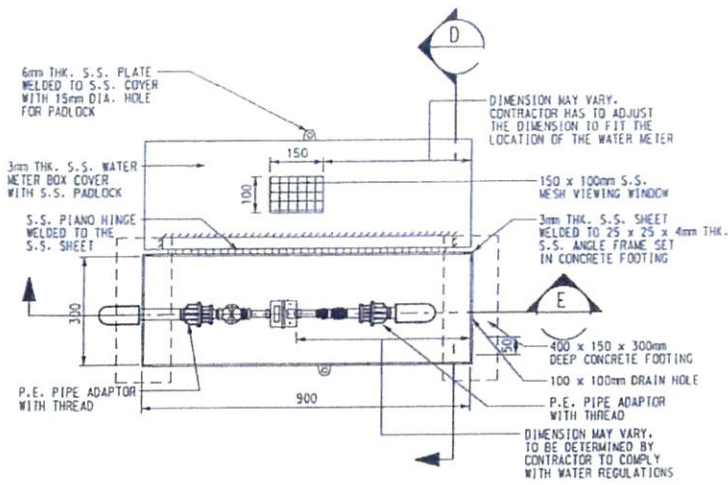
TITLE:  
REVISED IRRIGATION SYSTEM FOR  
WP9-3 TO WP9-5 AND WP9-7 TO WP9-8

SKETCH NO. 60095653/CI/SK1057A SCALE 1:420(A3)

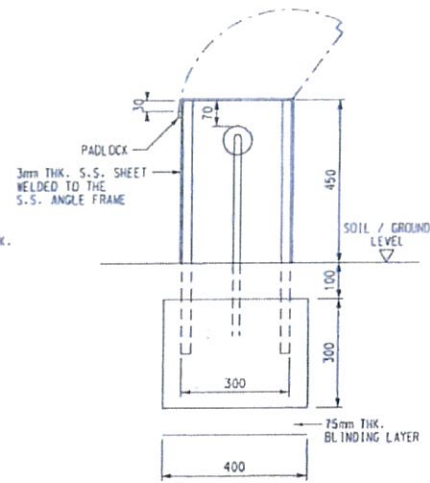




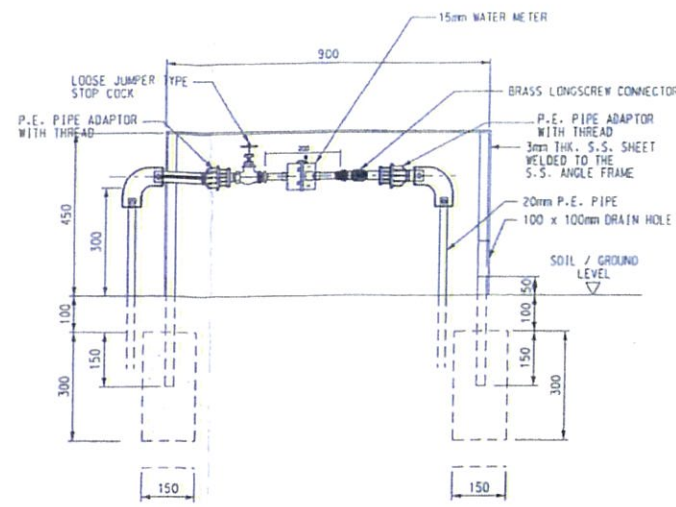




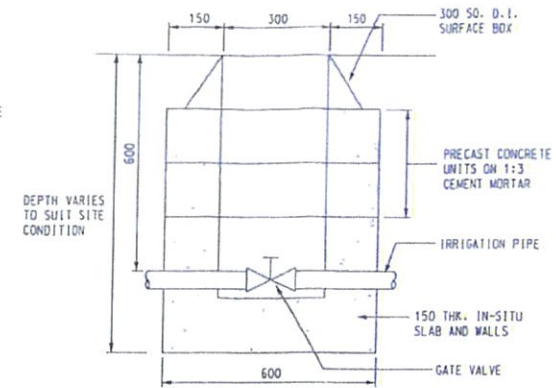
PLAN OF WATER METER BOX  
SCALE 1:20



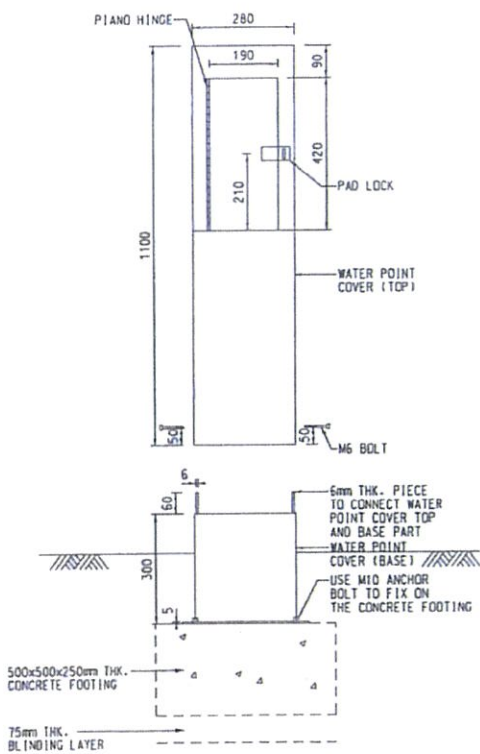
SECTION D  
SCALE 1:20



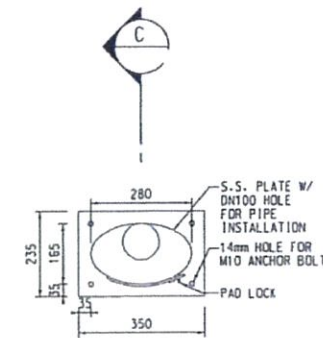
SECTION E  
SCALE NTS



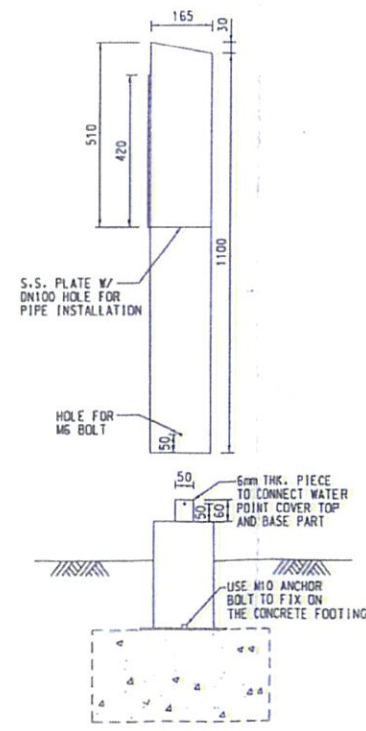
VALVE COVER BOXES  
SCALE 1:20



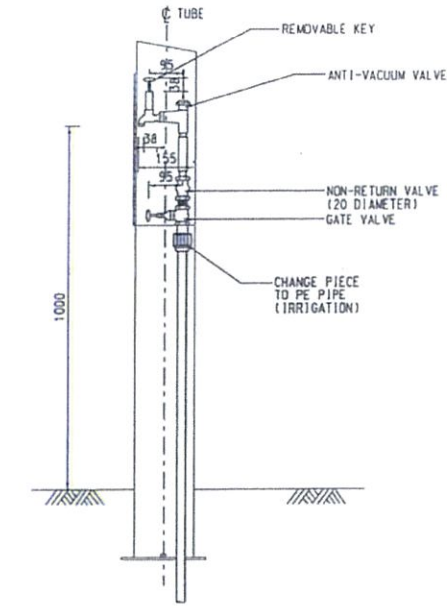
ELEVATION OF WATER POINT  
SCALE 1:20



PLAN OF WATER POINT  
SCALE 1:20



SECTION C  
SCALE 1:20



WATER POINT DETAILS  
SCALE 1:20

- NOTES :
1. ALL DIMENSIONS ARE IN MILLIMETRES.
  2. FOR DETAILS OF 300 SO. D.I. SURFACE BOX REFER TO WSD STANDARD DRAWING NO. WSD 7.47C.
  3. FOR DETAILS OF PRECAST CONCRETE UNITS REFER TO DRAWING NO. WSD 1.7E.
  4. GRADE OF CONCRETE SHALL BE 30/200 UNLESS OTHERWISE SPECIFIED.
  5. EXACT LOCATION OF WATER POINT TO BE DETERMINED ON SITE.
  6. GRADE OF STAINLESS STEEL SHALL BE 304 UNLESS OTHERWISE SPECIFIED.

Rev.	Date	Description	Drawn	Checked

**AECOM**

CENTRAL - WAN CHAI BYPASS AND IEC LINK  
CENTRAL - WAN CHAI BYPASS  
CENTRAL INTERCHANGE

TITLE: IRRIGATION PLANTER BETWEEN  
MAN PO STREET AND FINANCE STREET  
- MISCELLANEOUS DETAILS

SKETCH NO. 60095653/CI/SK1137 SCALE AS SHOWN





ESTIMATED DAILY WATER CONSUMPTION =  $7 \times 1736 = 12152 \text{ L/DAY} = 12.2 \text{ m}^3/\text{DAY}$

AREA =  $1736 \text{ m}^2$

AREA =  $610 \text{ m}^2$

ESTIMATED DAILY WATER CONSUMPTION =  $7 \times 610 = 4270 \text{ L/DAY} = 4.3 \text{ m}^3/\text{DAY}$



KEY PLAN

- NOTES:
- FOR NOTES AND LEGEND SEE DRG. NO. 60095653/C1/2401.
  - THE DETAILS OF WATER METER AND WATER POINT FOR IRRIGATION SYSTEM WP9-3 TO WP9-5 AND WP9-7 TO WP9-8 SHALL REFER TO SITE SKETCH NO. 60095653/C1/SK1137.
  - VERTICAL PLUMBING LINE DIAGRAM SHALL REFER TO DRG NOS. 60095653/C1/SK1027 AND SK1028.
  - DN PIPE SIZES REFER TO INTERNAL DIAMETER OF PIPE.

- LEGEND:
- LOOSE JUMPER TYPE STOPCOCK
  - NEW WATER METER BOX FOR IRRIGATION
  - DN 20 NEW POLYETHYLENE (PE) PIPE TO BS 150 4427 AND BS EN 12201
  - NEW TAPER
  - NEW STOP VALVE
  - FOOTPATH
  - AMENITY AREA
  - CHARRIAGEWAY
  - EXISTING WATERPOINT
  - EXISTING WATERPOINT TO BE DEMOLISHED
  - NEW LOOSE JUMPER TYPE STOP COCK
  - NEW WATERPOINT
  - IRRIGATION POINT COVERING AREA
  - U/G UNDERGROUND
  - L/L LOWER LEVEL

Rev.	Date	Description	Drawn	Prepared	Checked
A	24/01/16	GENERAL REVISIONS	KYH	PS	ACB
-	05/05/16	FOR CONSTRUCTION	SY	CH	NC

**AECOM**

CENTRAL - WAN CHAI BYPASS AND IEC LINK  
CENTRAL - WAN CHAI BYPASS  
CENTRAL INTERCHANGE

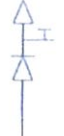







TITLE:  
REVISED IRRIGATION SYSTEM FOR  
WP9-3 TO WP9-5 AND WP9-7 TO WP9-8

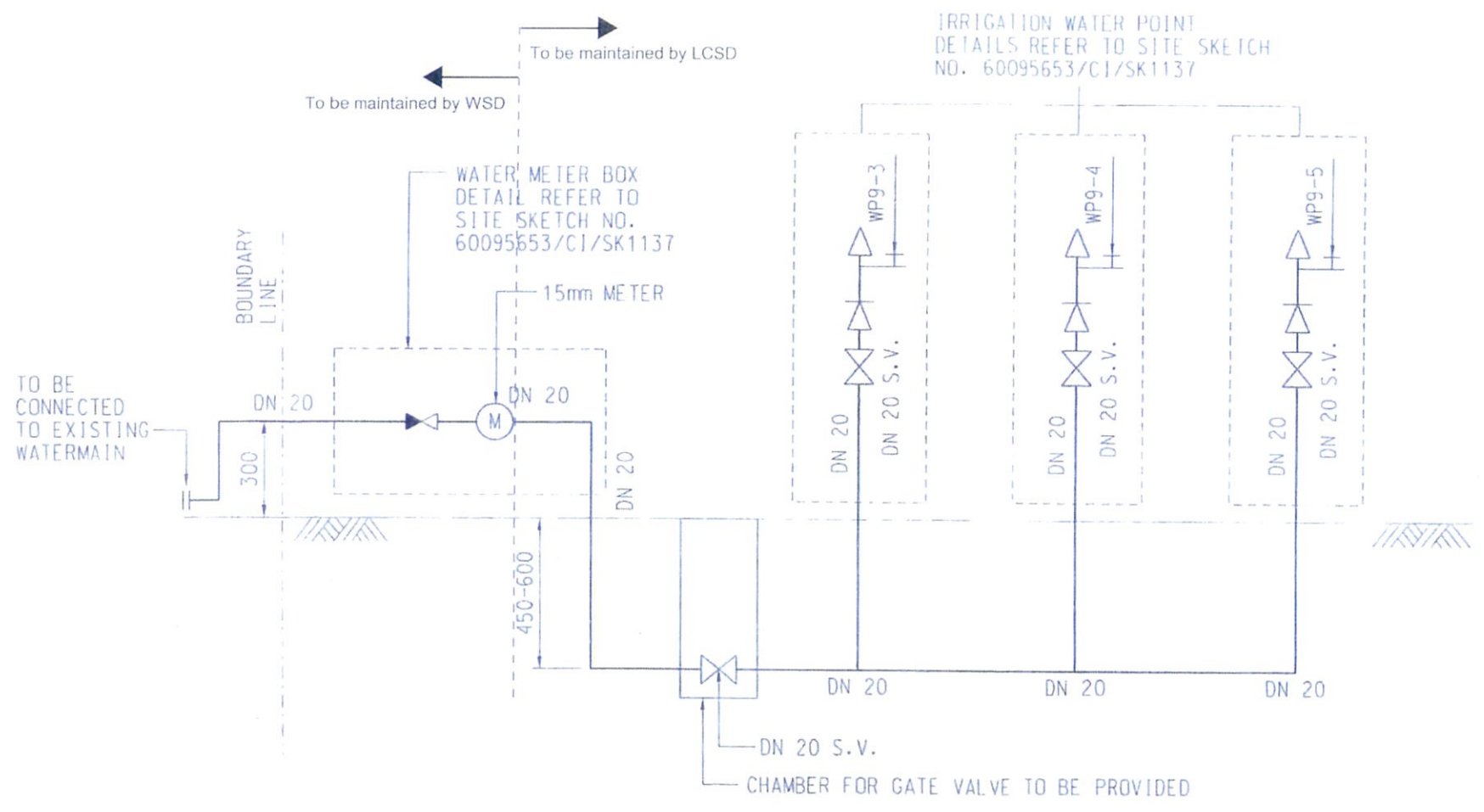
SKETCH NO. 60095653/C1/SK1057A SCALE 1:400(A3)

EXTRACTED FROM WORKING DRAWING No. 60095653/C1/2405



- NOTES:**
1. THE LOCATION AND ALIGNMENT OF IRRIGATION SYSTEM SHALL REFER TO SITE SKETCH NOS. 60095653/C1/SK1057A AND 60095653/C1/SK1137.
  2. DN PIPE SIZES REFER TO INTERNAL DIAMETER OF PIPE.

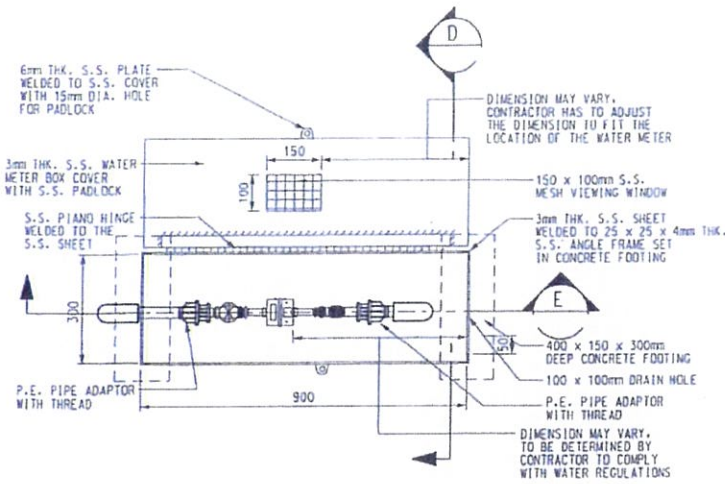
- LEGEND:**
-  WATER POINT
  -  DN 20 NEW POLYETHYLENE (PE) PIPE TO BS ISO 4427 AND BS EN 12201
  -  NEW WATER METER
  -  NEW STOP VALVE
  -  NEW LOOSE JUMPER TYPE STOP COCK
  -  ANTI-VACUUM VALVE
  -  REMOVABLE KEY WATER TAP
  -  NON-RETURN VALVE



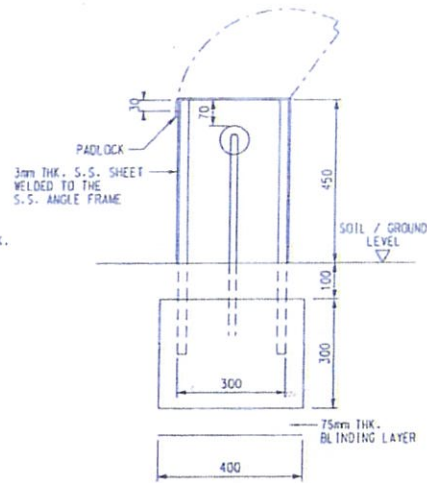
SYSTEM WP9-3 TO WP9-5  
(IRRIGATION SYSTEM AT PLANTER NEAR MAN PO STREET)

Rev	Date	Description	Drawn	Checked	Checked
-	04/01/11	GENERAL REVISIONS			
<b>AECOM</b>					
CENTRAL - WAN CHAI BYPASS AND IEC LINK CENTRAL - WAN CHAI BYPASS CENTRAL INTERCHANGE					
TITLE: IRRIGATION SYSTEM VERTICAL PLUMBING LINE DIAGRAMS FOR SYSTEM WP9-3 TO WP9-5					
SKETCH NO. 60095653/C1/SK1027		SCALE: N.T.S.			

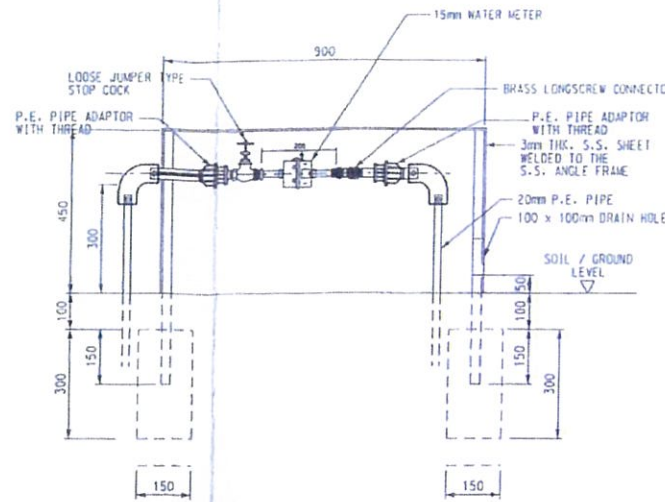
EXTRACTED FROM WORKING DRAWING No. 60095653/C1/2412



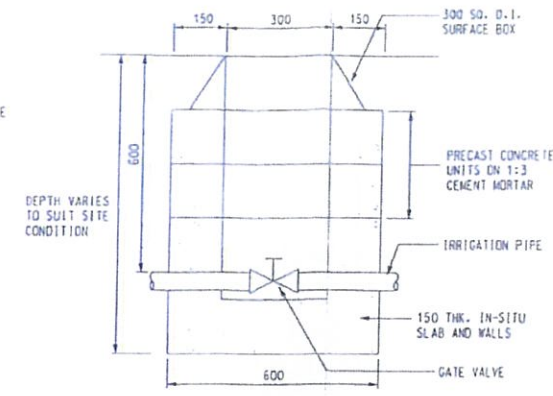
PLAN OF WATER METER BOX  
SCALE 1:20



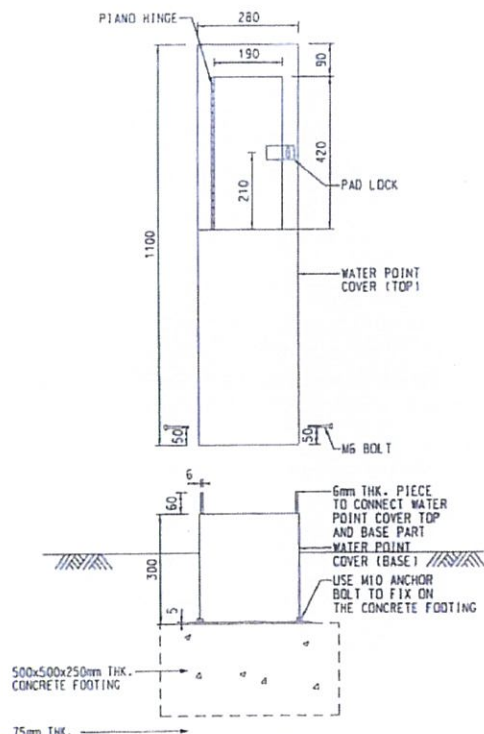
SECTION D  
SCALE 1:20



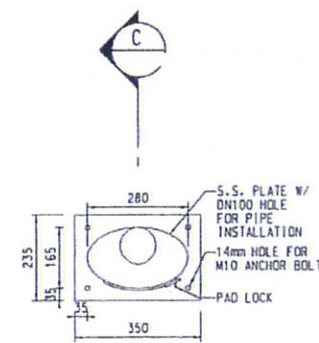
SECTION E  
SCALE NTS



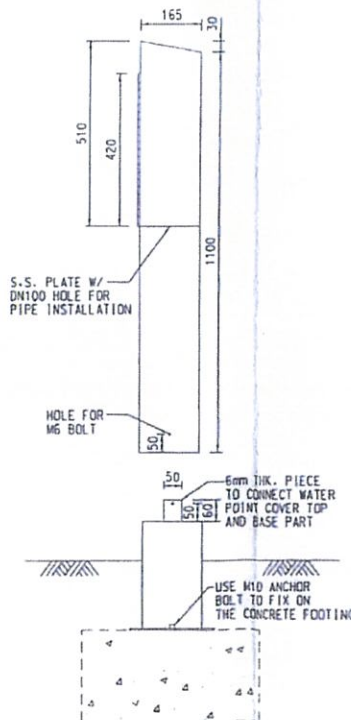
VALVE COVER BOXES  
SCALE 1:20



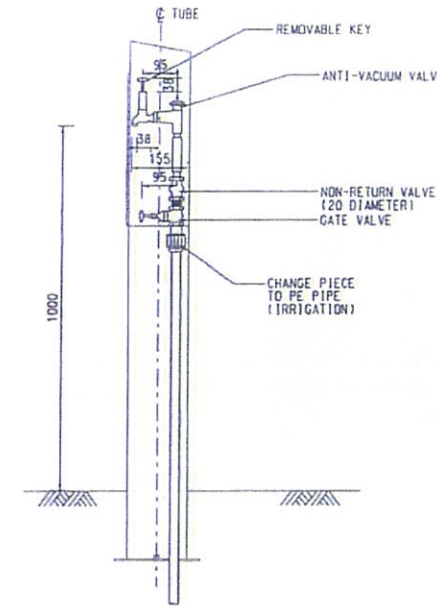
ELEVATION OF WATER POINT  
SCALE 1:20



PLAN OF WATER POINT  
SCALE 1:20



SECTION C  
SCALE 1:20



WATER POINT DETAILS  
SCALE 1:20

- NOTES :
1. ALL DIMENSIONS ARE IN MILLIMETRES.
  2. FOR DETAILS OF 300 SO. D.I. SURFACE BOX REFER TO WSD STANDARD DRAWING NO. WSD 7.47C.
  3. FOR DETAILS OF PRECAST CONCRETE UNITS REFER TO DRAWING NO. WSD 1-7E.
  4. GRADE OF CONCRETE SHALL BE 30/200 UNLESS OTHERWISE SPECIFIED.
  5. EXACT LOCATION OF WATER POINT TO BE DETERMINED ON SITE.
  6. GRADE OF STAINLESS STEEL SHALL BE 304 UNLESS OTHERWISE SPECIFIED.

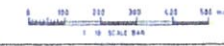
Rev.	Date	Description	Drawn	Prepared	Checked
-	24/08/11	GENERAL REVISIONS			

**AECOM**

CENTRAL - WAN CHAI BYPASS AND IEC LINK  
CENTRAL - WAN CHAI BYPASS  
CENTRAL INTERCHANGE

TITLE: IRRIGATION PLANTER BETWEEN  
MAN PO STREET AND FINANCE STREET  
- MISCELLANEOUS DETAILS

SKETCH NO. 60095653/C1/SK1137 SCALE 1:5 (SHOWING)



EXTRACTED FROM WORKING DRAWING No. 3128/ACL/10245



# **Annex C**

## **Record Photos**

# General View of Planters



PLANTING SCHEDULE TREE PLANTING					
CODE	BOTANICAL NAME	CHINESE NAME	SIZE	SPACING (MM)	QUANTITY
PT	PELTOPHORUM TONKINENSE	銀荷	HEAVY STANDARD	AS SHOWN	32



Rev.	Date	Description	SY	SWT	NC
-	10/17/14	FOR CONSTRUCTION			
			Drawn	Prepared	Checked

**AECOM**

**CENTRAL - WAN CHAI BYPASS AND IEC LINK**  
 CENTRAL - WAN CHAI BYPASS  
 CENTRAL INTERCHANGE

TITLE:  
 TREE PLANTING PLAN  
 AT FINANCE STREET PLANTER

SKETCH NO. 60095653/CI/SK0737 SCALE 1:500(1:4)

EXTRACTED FROM WORKING DRAWING (NO. 60095653/CI/9013)



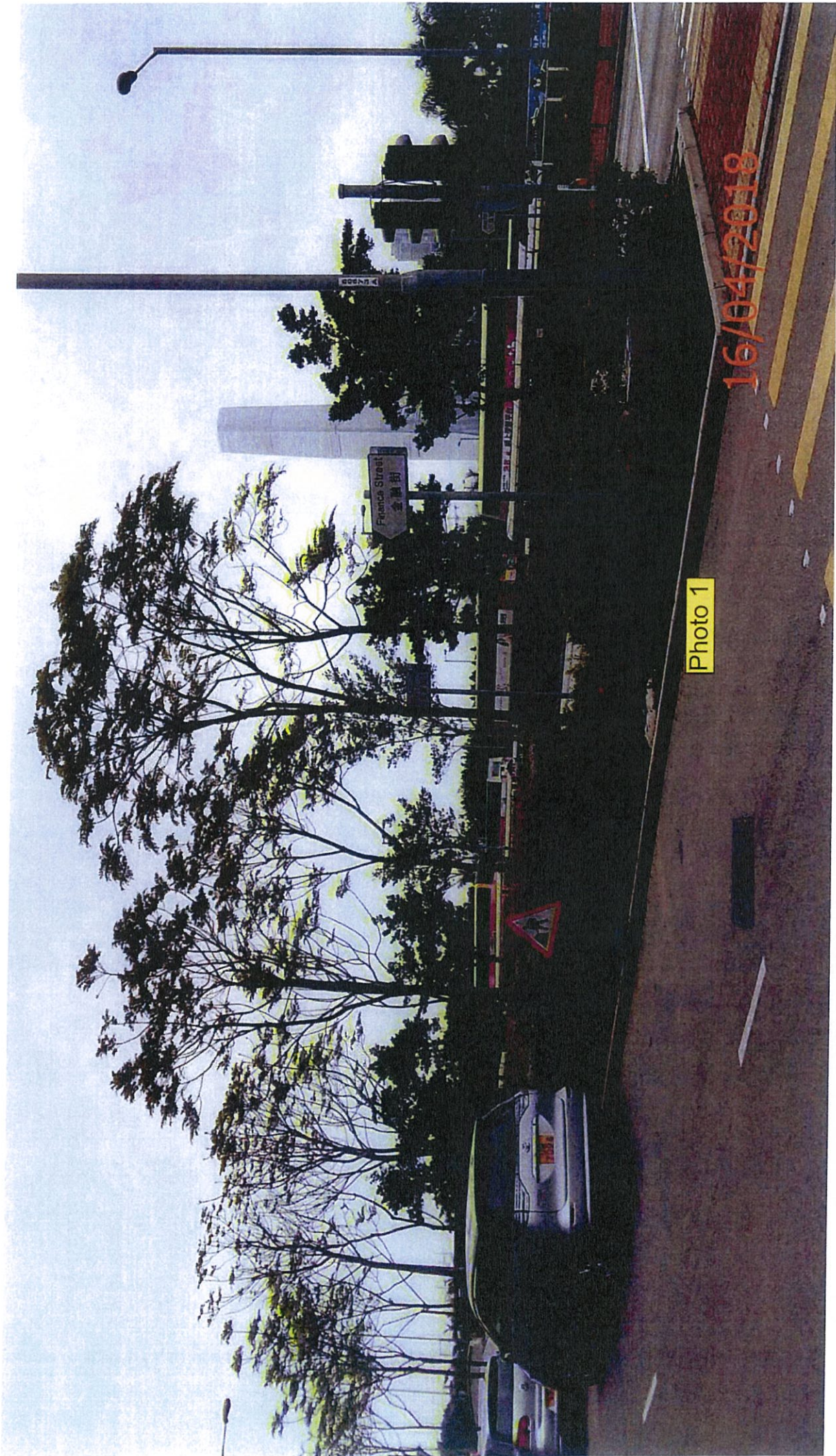


Photo 1

16/04/2018





Photo 2

16/04/2018



# **Functional Check of Irrigation System**









16/04/2018





Photo B

16/04/2018











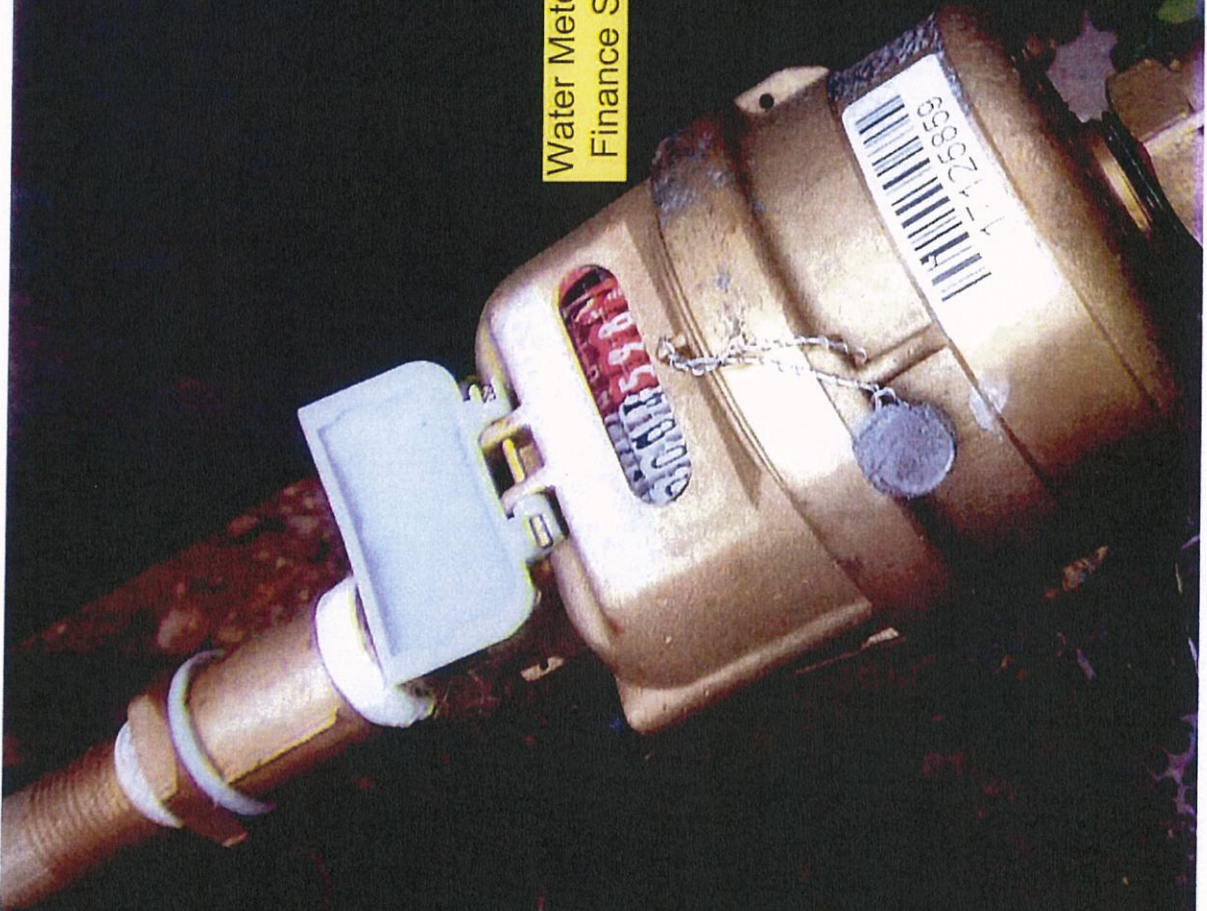
8102/HO/91

Photo E





# Photos of Water Meter



Water Meter installed at  
Finance Street Planter

16/04/2018



Water Meter installed at  
Man Po Street Planter

16/04/2018



**Annex D**

**Tree Risk Assessment Form 1**

**Report 2018**



# Contractor's Submission Form

Ref: H2540/CSF/OPR/03366-R0

Date: - 4 APR 2018

LEIGH  
禮頓



18A021033



- 4 APR 2018

Leighton Contractors  
(Asia) Limited

39/F Sun Hung Kai Centre  
30 Harbour Road, Hong Kong

t: +852 2823 1111  
f: +852 2529 8784

Contract: HY/2009/18 – Central-Wan Chai Bypass - Central Interchange

To: Engineer's Representative, The Chief Resident Engineer Mr. David Kwan

Title of Submission: Tree Risk Assessment Form 1 Report 2018 (Group 2)

Specification:

We are pleased to submit the following for your review and comment

Description:

Reference is made to Variation Order No. V/155 under letter ref. CWB/(HY/2009/18)/C55/800/18B011734 dated 02 January 2018, we submit herewith the Tree Risk Assessment Form 1 Report (Group 2) for your record.

Purpose of Submission:

FOR APPROVAL

FOR RECORD OR INFORMATION

Contractor's Representative

Signature:

Name: Jimmy Chu

Position: Project Manager

Date: 27 March 2018

Distribution: JC / JAC

Prepared by: WL

Tree Management Information System (TMIS) 樹木管理資訊系統  
Tree Risk Assessment Form 1: Tree Group Inspection  
樹木風險評估表格 1: 樹群檢查

Doc No: TMIS-TRM-001 Rev 1.0  
Date: 2018/02/20  
Page: 1 of 1

General Information 基本資料

Dept. #/Agency 處/局:	HyD	Inspection Officer 巡查員:	Mr NG Sze Yuen Jason	Post. No.:	C.A. ISA Cert No. HK-1729A
File Ref. 檔案編號:	C2241/18/TGD0523	Endorsement Officer 覆核人員:	Mr HO Tat Pui Daniel	Post. No.:	C.A. ISA Cert No. HK-0794A
Date of Inspection 巡查日期:	02/02/2018	Last Inspection Date 上次巡查日期:			
Agency 處/局/Project 工程/Contract No. 合約編號:	HY2009/10				
Inspection Frequency 巡查頻率:	12 months 12個月				

Location Information 位置資料

Master Zone Departmental Ref. 主區編號:	Central				
Sub Zone Departmental Ref. 副區編號:	Central - Group 2				
English Location 英文地址:	Finance Street				
Chinese Location 中文地址:	金鐘街				
Tree Risk Management Zone 樹木風險管理地帶類別:	<input checked="" type="checkbox"/> category I 第一類 <input type="checkbox"/> category II 第二類 <input type="checkbox"/> category III 第三類				
Nearby Utility Post No. 附近公用設施編號:					
Location Types 地點類別 (multiple answers allowed 可選多於一項):	<input type="checkbox"/> Roadside Landscaped Area 路旁綠化地區 <input type="checkbox"/> Public Park-Recreation Venue 公園/康樂場地 <input type="checkbox"/> Remote Countryside 偏遠郊區 <input type="checkbox"/> Vacant Government Land 政府空置土地 <input type="checkbox"/> Other (please specify) 其他 (請說明) <input checked="" type="checkbox"/> Central Divider 中央分隔帶 <input type="checkbox"/> Tree Pit 樹穴 <input type="checkbox"/> Village Enclave 村莊範圍 <input type="checkbox"/> Undeveloped Government Land 未開發的政府土地 <input type="checkbox"/> Recreational Site Facilities inside Country Park 郊野公園內康樂用地或設施 <input type="checkbox"/> SIMAR Slope 系統性維修責任的斜坡				

Tree Information 樹木基本資料

The size of a tree group should be defined by location types, such as public park, SIMAR slopes, tree pits, etc. with due consideration given to the limitations of visual tree assessment.  
在決定樹群的大小時，應參照地點類別，如公園、系統性維修責任的斜坡、樹穴等，一併考慮樹木的視限。

Main tree species in the group (DBH ≥ 95 mm) and minority tree species of significant size (i.e. approx. DBH ≥ 300 mm) 在樹群中的主要樹種 (胸徑 ≥ 95 毫米) 及少數的標本樹種 (胸徑 ≥ 300 毫米)	App. No. of Trees 大約樹木數量	Height (m) From 高度 (米) 由	Height (m) To 高度 (米) 至	Overall Health Condition 樹木健康狀況	Overall Structural Condition 樹木結構狀況
(Please delete the "blank" rows before save. 保存之前，請刪除“空白”行) Peltophorum tonkinense 假欖	32	5.5	7.0	Fair 一般	Fair 一般
Total No. of Trees 樹木總數:	32	No. of rows to be added: 1	Add Row	Delete Row	

Overall Remarks 整體評語  
This assessment recorded 32 nr. existing trees within the boundary. No registered Old and Valuable Tree or protected species was recorded. The general health and form of the trees are fair.

Target 目標

Target (people or property potentially affected by tree/branch failure) 目標 (因樹木倒塌或枝條斷裂而可能受影響的人或物業)

Does target exist? 目標是否仍然存在?  Yes / 是  No / 否

Can target be moved? 能否移除目標?  Yes / 是  No / 否

Can the use of site be restricted? 可否限制場地的使用?  Yes / 是  No / 否

Frequency of use of location 使用該地點的頻密程度:  
 Occasional Use 偶爾使用  
 Intermittent Use 間歇使用  
 Frequent Use 經常使用  
 Constant Use 恆常使用

Identification of Trees for Remedial Action or Detailed Tree Risk Assessment (Form 2) 識別樹木以採取風險減低措施或進行詳細樹木風險評估 (表格 2)

Trees falling under the following criteria 樹木屬於以下任何一項或多項類別	Number of trees 樹木數量	Remedial action or detailed tree risk assessment (Form 2) 擬採用的減低風險的樹木風險評估 (表格 2)	Anticipated Completion Date 預計完成日期	Actual Completion Date 實際完成日期
(1) Old and Valuable Tree (OVT) 古樹名木				
(2) Stonewall tree 石圍樹				
(3) Trees on complaint list with structural or health problems 投訴名單中有結構或健康問題的樹木				



(4) Trees belonging to species with brittle wood structure and having unsatisfactory health or structural conditions with failure potential 屬木質脆弱品種而健康或結構欠佳的面具類樹種的樹木				
(5) Tree with major defects or health problems 有明显缺陷或健康問題的樹木				
(6) Trees growing in very stressful site conditions with failure potential 生長於非常擠壓環境的樹木並有樹枝或樹幹倒塌風險				
(7) Mature trees 已屆成熟樹齡				

Summary of Statistic on TRIAGE Trees 分類樹木統計總結

Black 黑	Red 紅	Yellow 黃
---------	-------	----------

Attached Information 附加資料

(Maximum 10 attachments and total 25MB allowed 最多可容納10個附件並計入總共25MB)

Site Plan 場地平面圖 (Provide at least 1 site plan 最少提供一個場地平面圖)

Add Site Plan      Delete Site Plan

1 Attach\_20180220115513.pdf  
Description 說明: Tree Location Plan

Photo Record 樹木照片 (Provide at least 1 photo record 最少提供一個相片紀錄)

Add Photo Record      Delete Photo Record

1 Attach\_20180220115529.JPG  
Description 說明: General View

2 Attach\_20180220115533.JPG  
Description 說明: General View

3 Attach\_20180308160751.JPG  
Description 說明: General View

4 Attach\_20180220115543.JPG  
Description 說明: General View

5  
Description 說明:

6  
Description 說明:

7  
Description 說明:

8  
Description 說明:

9  
Description 說明:

Other Attachments 其他附件 (Please specific 請註明)

Add Others      Delete Others

1  
Subject Title 標題:  
Description 說明:

Note 注意

Please read in conjunction with TMU's Guidelines on Tree Risk Assessment and Management Arrangement and relevant Technical Circulars promulgated on Development Bureau website www.trees.gov.hk  
請參閱發展局的 www.trees.gov.hk 有關樹木管理事宜的樹木風險評估安排及有關指引等相關技術通告



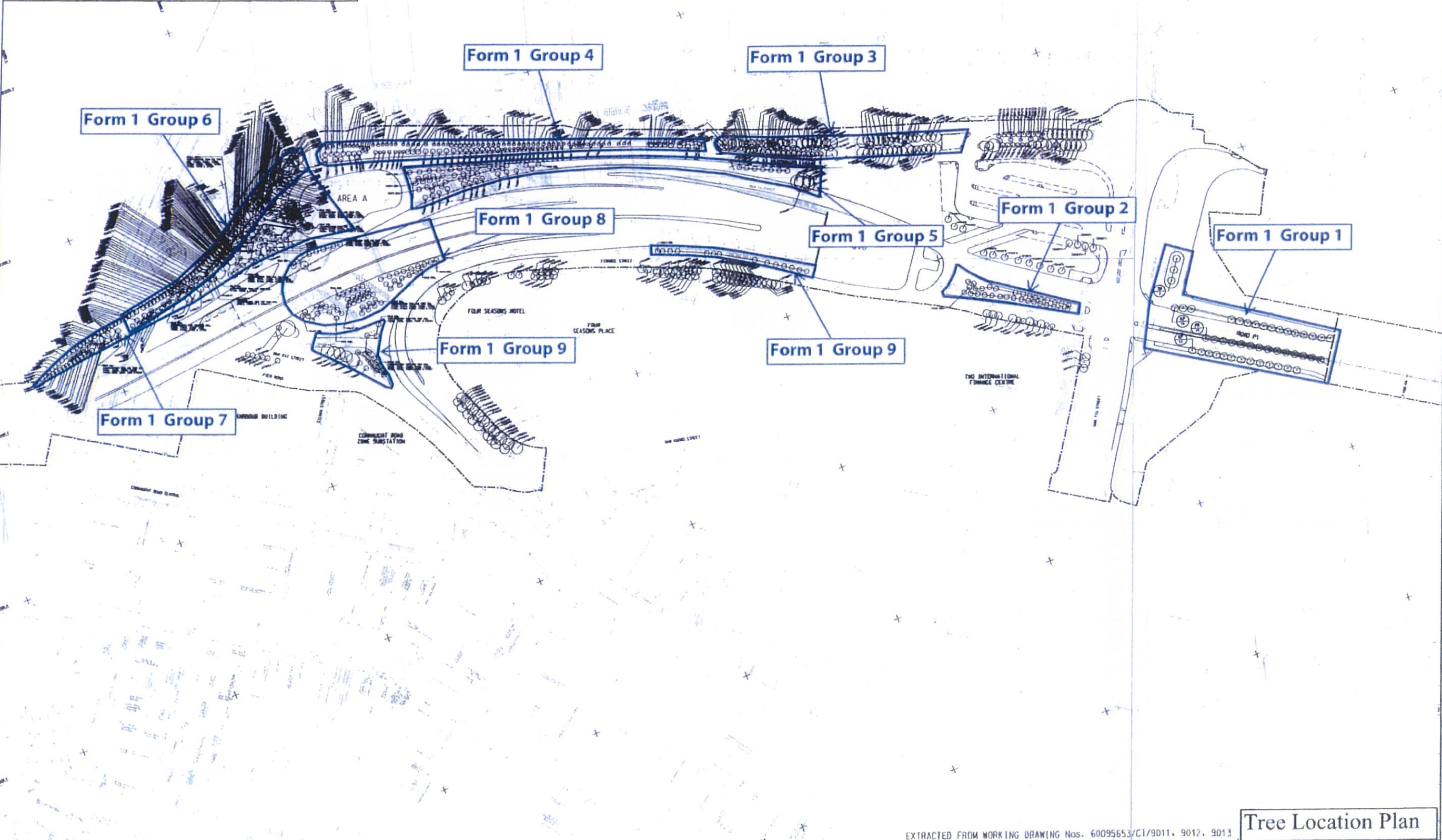
**GENERAL NOTES FOR LANDSCAPE WORKS:**

1. DESIGN OF PLANTING: THE PLANTING DESIGN SHALL BE BASED ON THE PLANTING SCHEDULE AND THE PLANTING PLAN.
2. PLANTING SCHEDULE: THE PLANTING SCHEDULE SHALL BE BASED ON THE PLANTING PLAN AND THE PLANTING SCHEDULE.
3. PLANTING PLAN: THE PLANTING PLAN SHALL BE BASED ON THE PLANTING SCHEDULE AND THE PLANTING PLAN.
4. PLANTING SCHEDULE: THE PLANTING SCHEDULE SHALL BE BASED ON THE PLANTING PLAN AND THE PLANTING SCHEDULE.
5. PLANTING PLAN: THE PLANTING PLAN SHALL BE BASED ON THE PLANTING SCHEDULE AND THE PLANTING PLAN.
6. PLANTING SCHEDULE: THE PLANTING SCHEDULE SHALL BE BASED ON THE PLANTING PLAN AND THE PLANTING SCHEDULE.
7. PLANTING PLAN: THE PLANTING PLAN SHALL BE BASED ON THE PLANTING SCHEDULE AND THE PLANTING PLAN.
8. PLANTING SCHEDULE: THE PLANTING SCHEDULE SHALL BE BASED ON THE PLANTING PLAN AND THE PLANTING SCHEDULE.
9. PLANTING PLAN: THE PLANTING PLAN SHALL BE BASED ON THE PLANTING SCHEDULE AND THE PLANTING PLAN.
10. PLANTING SCHEDULE: THE PLANTING SCHEDULE SHALL BE BASED ON THE PLANTING PLAN AND THE PLANTING SCHEDULE.

NO.	PLANTING SCHEDULE	PLANTING PLAN	PLANTING SCHEDULE	PLANTING PLAN
01	PLANTING SCHEDULE	PLANTING PLAN	PLANTING SCHEDULE	PLANTING PLAN
02	PLANTING SCHEDULE	PLANTING PLAN	PLANTING SCHEDULE	PLANTING PLAN
03	PLANTING SCHEDULE	PLANTING PLAN	PLANTING SCHEDULE	PLANTING PLAN
04	PLANTING SCHEDULE	PLANTING PLAN	PLANTING SCHEDULE	PLANTING PLAN
05	PLANTING SCHEDULE	PLANTING PLAN	PLANTING SCHEDULE	PLANTING PLAN
06	PLANTING SCHEDULE	PLANTING PLAN	PLANTING SCHEDULE	PLANTING PLAN
07	PLANTING SCHEDULE	PLANTING PLAN	PLANTING SCHEDULE	PLANTING PLAN
08	PLANTING SCHEDULE	PLANTING PLAN	PLANTING SCHEDULE	PLANTING PLAN
09	PLANTING SCHEDULE	PLANTING PLAN	PLANTING SCHEDULE	PLANTING PLAN
10	PLANTING SCHEDULE	PLANTING PLAN	PLANTING SCHEDULE	PLANTING PLAN

**LEGEND:**

- L10 SYMBOL
- EXISTING TREE TO BE RETAINED
- PROPOSED TREE PLANTING
- PROPOSED PALM PLANTING
- PROPOSED TREE WITH HEAVY PLANTING
- LINE LOCATION OF PROPOSED TREE WITH CONSTRUCTION BOUNDARY
- PROPOSED TREE PLANTING AT ROAD P1



EXTRACTED FROM WORKING DRAWING Nos. 6009553/C1/9011, 9012, 9013 **Tree Location Plan**



Contract No.: HY/2009/18  
Central - Wan Chai Bypass - Central Interchange

Photo Record of Tree Risk Assessment Form 1 Report - Group 2



Attach\_20180220115529



Attach\_20180220115533



Attach\_20180308160751



Attach\_20180220115543

**AECOM**

AECOM  
8/F, Grand Central Plaza, Tower 2,  
138 Shatin Rural Committee Road,  
Shatin, Hong Kong  
香港新界沙田鄉事會路 138 號  
新城市中央廣場第 2 座 8 樓  
www.aecom.com

Engineer's Representative's Office  
Room 1401-06, 14/F., Eastern Centre,  
1065 King's Road, Quarry Bay, H.K.  
香港鰂魚涌英皇道 1065 號  
東達中心 14 樓 1401-06 室  
+852 3650 1600 tel  
+852 3665 0106 fax

Your Ref. : -  
Our Ref. : CWB/(HY/2009/18)/C55/500/18B011456

22 MAY 2017



22 May 2017

Leisure and Cultural Services Department  
Leisure Services Branch  
Leisure Services Branch – Division 2  
Leisure Management/ Hong Kong West  
Central and Western District Leisure Services Office  
Room 1001, 10/F., Sheung Wan Municipal Services Building,  
345 Queen's Road Central,  
Hong Kong.

Attn.: Mr. Philip Wong

Dear Sir,

**Contract No. HY/2009/18**  
**Central - Wan Chai Bypass – Central Interchange**

**Final Handing Over Inspection of Pier Road Planter**

I refer to the joint site handing over inspection amongst Mr. Philip Wong (LCSD), Miss Wayne Law (LCAL) and Mr. Nelson Chin (AECOM) on 18 May 2017 regarding the captioned subject. I would like to record that LCSD expressed satisfaction on the condition of shrubs and had no objection to take over the horticultural maintenance of the said planter with effective from 19 May 2017.

----- I attach herewith record photos for your record purpose. Should you have any queries, please feel free to contact my RE, Mr. Nelson Chin at 6461 8784.

Yours faithfully,  
For and on behalf of  
AECOM Asia Co. Ltd.

David Kwan  
Chief Resident Engineer

Encl.

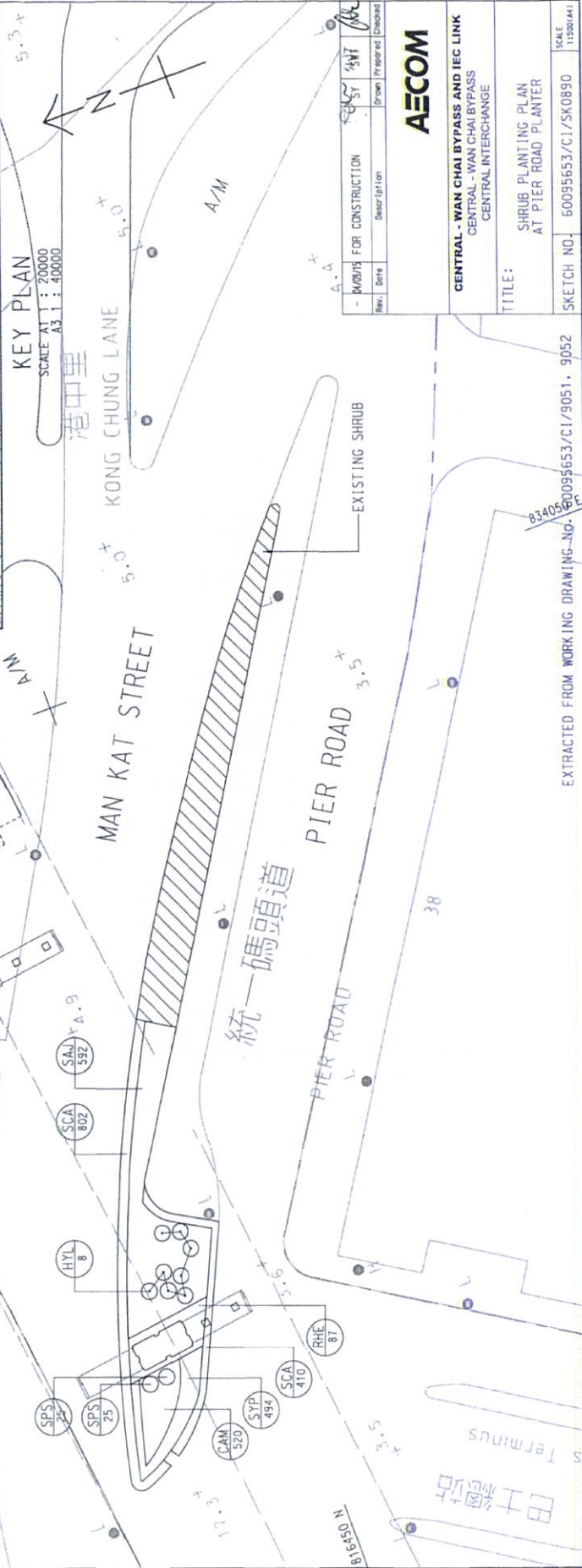
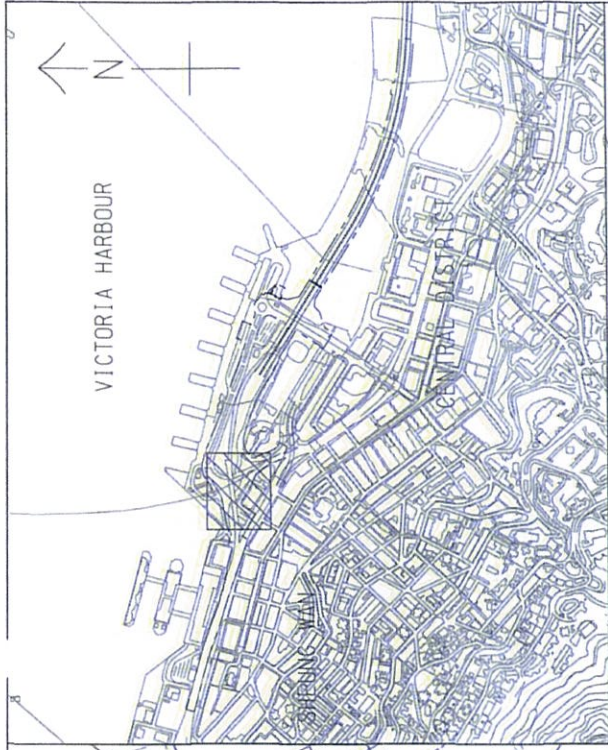
c.c. CE3/MW, HyD - Attn.: Ms. Sally Kung ] – w/encl.  
e.c. AECOM - Attn.: Mr. Alex Li / Ms. Ivy Chung  
Response required : Yes / No

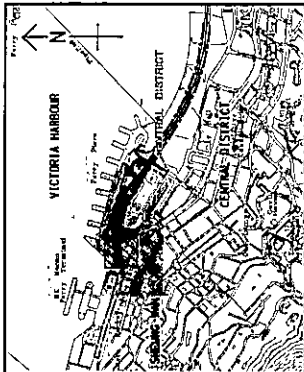
DK/RY/NO/al



SCHEDULE OF SHRUB PLANTING

CODE	BOTANICAL NAME	CHINESE NAME	HEIGHT (MM)	SPREAD (MM)	SPACING (MM)
SCA	SCINDAPSUS AUREUM CV. 'ALL GOLD'	金葉葛	150	200	200
SYP	SYNGONIUM PODOPHYLLUM CV. 'PINKY'	錦葉合果芋(紅粉佳人)	150	200	200
CAM	CALATHEA MAKOYANA	孔雀冬蕨	300	200	200
RHE	RHAPIS EXCELSA	棕竹	1000	750	600
SAJ	SCHEFFLERA ARBORICOLA 'JANINE'	黃金鶴腳木	500	500	400
SPS	SPATHIPHYLLUM SP.	白匙羹	300	300	200
HYL	HYOPHORBE LAGENICAILIS	酒旗椰子	1000	1500	AS SHOWN

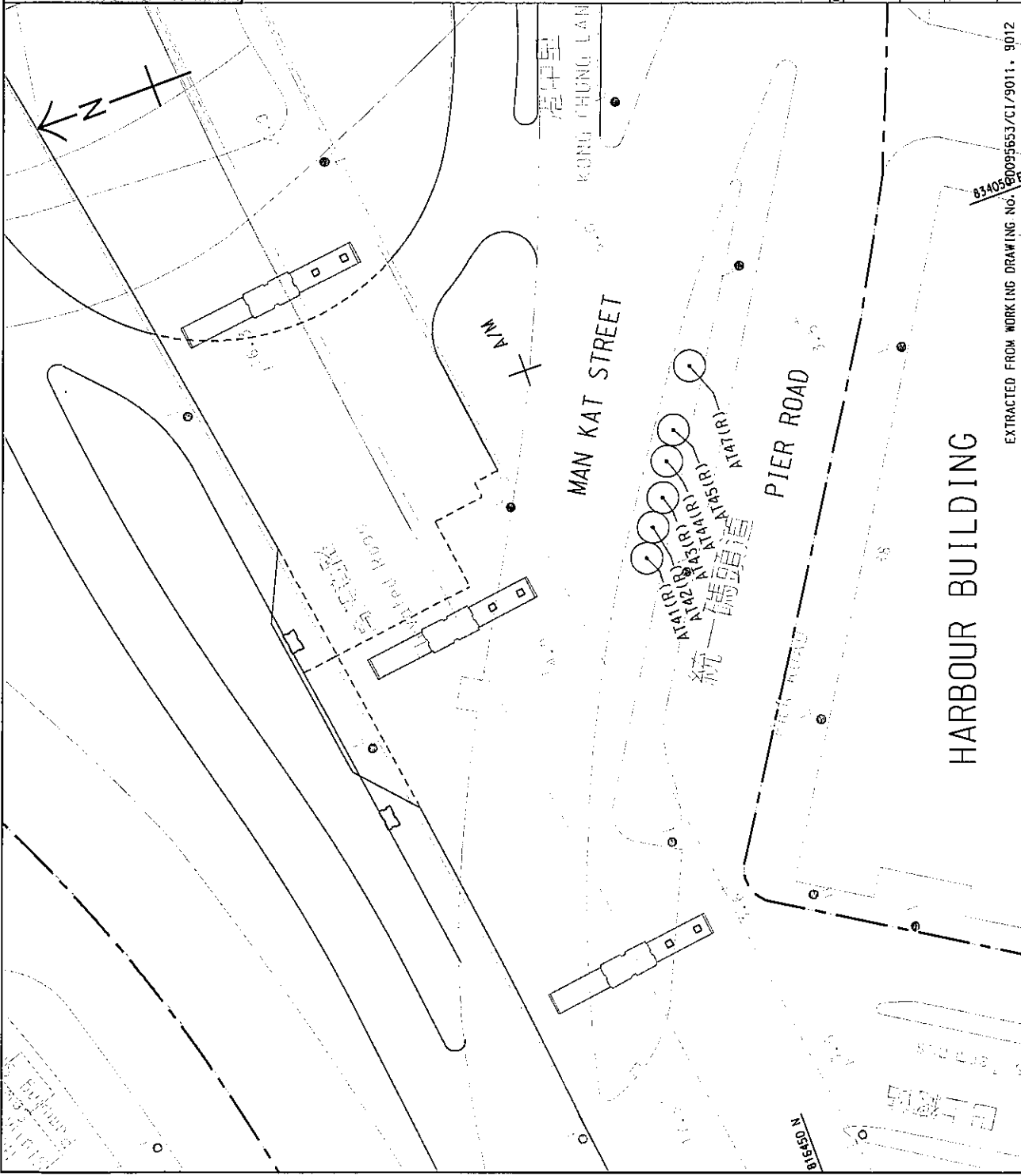




**KEY PLAN**  
SCALE: 1 : 40000

**LEGEND:**

- SITE BOUNDARY
- AT(1R)
- EXISTING TREE TO BE RETAINED



REV	DATE	FOR RECORD ONLY	KYH	CWC	NC

**AECOM**

**CENTRAL - WAN CHAI BYPASS AND IEC LINK**  
CENTRAL - WAN CHAI BYPASS  
CENTRAL INTERCHANGE

**TITLE:**  
EXISTING TREE AT PIER ROAD PLANTER

**SKETCH NO.** 60095653/CI/SK1204  
**SCALE** 1:5000(44)

EXTRACTED FROM WORKING DRAWING No. 6340560095653/CI/9011.9012





AECOM  
8/F, Grand Central Plaza, Tower 2,  
138 Shatin Rural Committee Road,  
Shatin, Hong Kong  
香港新界沙田鄉事會路 138 號  
新城市中央廣場第 2 座 8 樓  
www.aecom.com

Engineer's Representative's Office  
Room 1401-06, 14/F., Eastern Centre,  
1065 King's Road, Quarry Bay, H.K.  
香港鰂魚涌英皇道 1065 號  
東達中心 14 樓 1401-06 室  
+852 3650 1600 tel  
+852 3665 0106 fax

Your Ref. : -  
Our Ref. : CWB/(HY/2009/18)/C55/500/18B010627

19 May 2016

20 MAY 2016



18B010627

Leisure and Cultural Services Department  
Leisure Services Branch  
Leisure Services Branch - Division 2  
Leisure Management/Hong Kong West  
Central and Western District Leisure Services Office  
Room 1001, 10/F., Sheung Wan Municipal Services Building,  
345 Queen's Road Central,  
Hong Kong.

Attn.: Mr. Philip Wong

Dear Sir,

**Contract No. HY/2009/18**  
**Central-Wan Chai Bypass – Central Interchange**

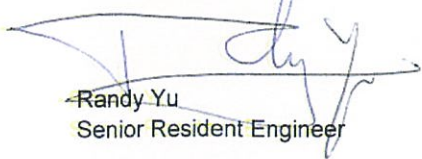
**Handover Meeting of Retain Trees (T1140 – T1161 and T1221) next to Man Yiu Street PT1**

I refer to the joint site handing over inspection amongst Mr. Philip Wong (LCSD), Miss Wayne Law (LCAL) and Mr. Nelson Chin (AECOM) on 9 May 2016 regarding the captioned subject, I would like to record the following salient points as discussed during the inspection:-

- 1) AECOM briefed LCSD that tree nos. T1140 – T1161 and T1221 (total of 23 numbers) were retained trees and tree nos. T1162 – T1170, T1203 – T1214 (total of 21 numbers) were transplanted trees under Highways Contract No. 04/HY/2006 - PWP 6579TH that was shown in the attached Site Sketch No. 60095653/CI/SK1061.
- 2) Trees no. T1162 – T1170, T1203 – T1214 were handed over to your department on 9 May 2014.
- 3) LCSD expressed satisfactory on the condition of Trees no. T1140 - T1161 and T1221 and had no objection to take over the horticultural maintenance effective on 9 May 2016. LCSD requested for the submission of Tree Group Inspection Form (Form 1) which is attached herewith.

Should you have any queries, please free feel to contact my RE, Mr. Nelson Chin at 6461 8784.

Yours faithfully,  
For and on behalf of  
AECOM Asia Co. Ltd.

  
Randy Yu  
Senior Resident Engineer

Encl.  
c.c. CE3/MW, HyD - Attn.: Ms. Sally Kung ] – w/o encl.  
e.c. AECOM - Attn.: Mr. Alex Li / Ms. Ivy Chung  
Response required : Yes / No  
RY/NC/al



**KEY PLAN**  
SCALE AS 1:10000

**NOTES:**  
1. TRANSPLANTED TREES AND RETAIN TREES SHOULD BE TAKEN UP BY LCSD.

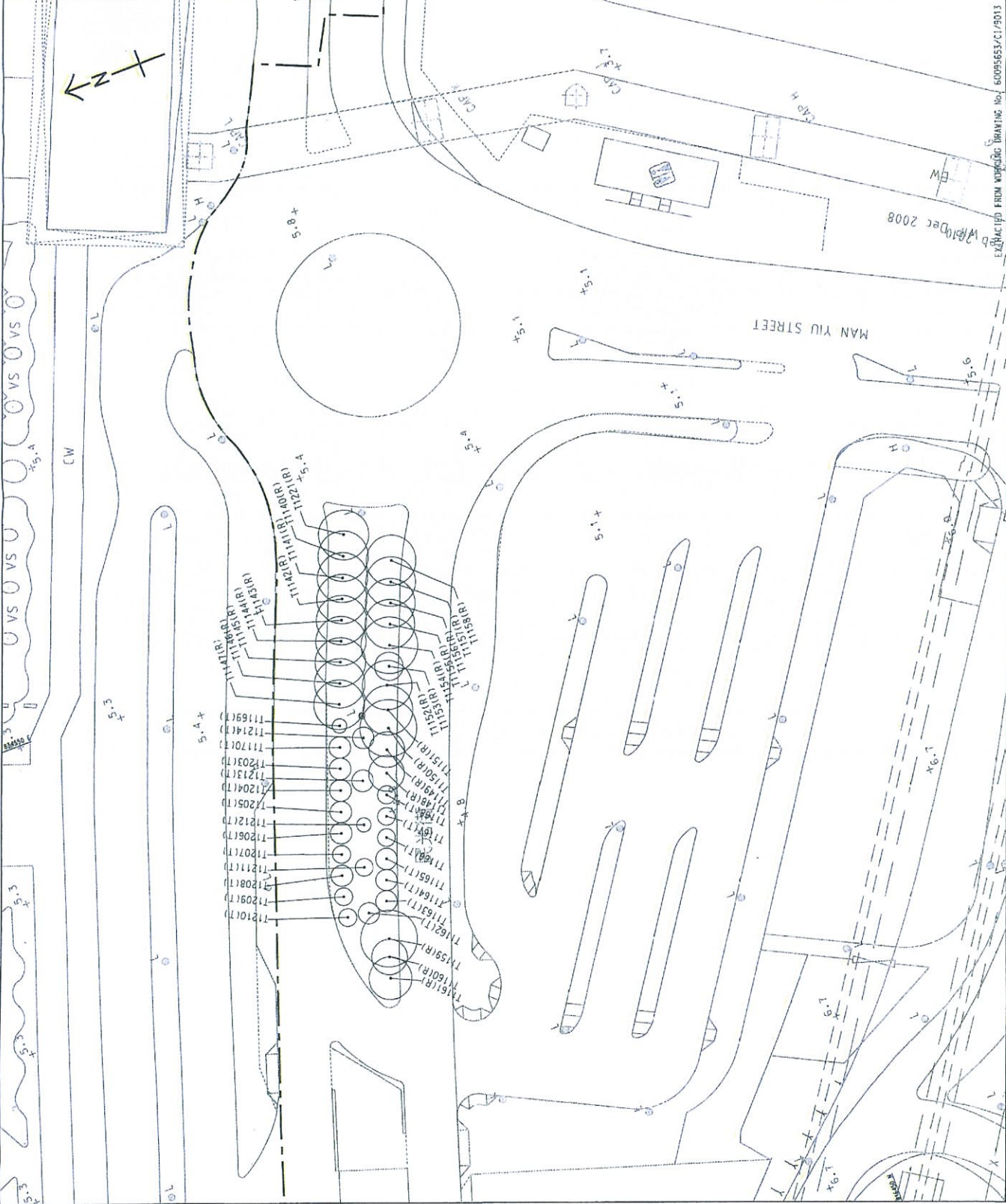
**LEGEND:**

--- SITE BOUNDARY

⊙ T11668(T) FINAL LOCATION OF TREES TO BE TAKEN UP BY LCSD ON 09 MAY 2014.

⊙ T11221(R) RETAIN TREES TO BE TAKEN UP BY LCSD ON 09 MAY 2016.

DESIGN FOR CONSTRUCTION	DATE	BY	CHECKED
REVISION	DATE	BY	CHECKED
<b>AECOM</b>			
CENTRAL - WAN CHAI BYPASS AND IEC LINK CENTRAL - WAN CHAI BYPASS CENTRAL INTERCHANGE			
TITLE: TREE PLANTING PLAN			
SKETCH NO.	60095653/CI/5K/061	DATE	1/10/2008



EXTRACTED FROM WORKING DRAWING No. 60095653/CI/9/013  
b/w/10 Dec 2008





AECOM  
8/F, Grand Central Plaza, Tower 2,  
138 Shatin Rural Committee Road,  
Shatin, Hong Kong  
香港新界沙田鄉事會路 138 號  
新城市中央廣場第 2 座 8 樓  
www.aecom.com

Engineer's Representative's Office  
Room 1401-06, 14/F., Eastern Centre,  
1065 King's Road, Quarry Bay, H.K.  
香港鰂魚涌英皇道 1065 號  
東達中心 14 樓 1401-06 室  
+852 3650 1600 tel  
+852 3665 0106 fax

Your Ref. : -  
Our Ref. : CWB/(HY/2009/18)/C55/500/18B011730

21 DEC 2017



18B011730

20 December 2017

Leisure and Cultural Services Department  
Leisure Services Branch  
Leisure Services Branch - Division 2  
Leisure Management/Hong Kong West  
Hong Kong West Tree Team  
4/F., Sun Yat Sen Memorial Park Sports Centre,  
18 Eastern Street North,  
Hong Kong.

Attn.: Mr. Jimmy Lam

Dear Sir,

**Contract No. HY/2009/18**  
**Central-Wan Chai Bypass – Central Interchange**

**Final Handover Inspection of Four Pavement Trees at Man Yiu Street PTI Footpath**

I refer to the joint handing over inspection amongst Mr. Jimmy Lam (LCSD), Nelson Chin (AECOM) and Miss Wayne Law (LCAL) on 18 December 2017 regarding four pavement trees (T3006, T3011, T3015 and T3016) at Man Yiu Street PTI footpath as shown in the enclosed location plan.

I note that your department satisfied with the condition of trees and had no objection to take over the horicultural maintenance with effective from 17 December 2017.

I enclose herewith site photo for your record purpose.

Should you have any queries, please free feel to contact my RE, Mr. Nelson Chin at 6461 8784.

Yours faithfully,  
For and on behalf of  
AECOM Asia Co. Ltd.

David Kwan  
Chief Resident Engineer

Encl.

c.c. CE3/MW, HyD - Attn : Mr. W.K. Lo  
e.c. AECOM - Attn.: Mr. Alex Li / Ms. Ivy Chung

] – w/encl.

Response required : Yes / No

DK/RY/NO/ai







AECOM

8/F, Grand Central Plaza, Tower 2,  
138 Shatin Rural Committee Road,  
Shatin, Hong Kong  
香港新界沙田鄉事會路 138 號  
新城市中央廣場第 2 座 8 樓  
www.aecom.com

Engineer's Representative's Office  
Room 1401-06, 14/F., Eastern Centre,  
1065 King's Road, Quarry Bay, H.K.  
香港鰂魚涌英皇道 1065 號  
東達中心 14 樓 1401-06 室  
+852 3650 1600 tel  
+852 3665 0106 fax

Your Ref. : -  
Our Ref. : CWB/(HY/2009/18)/C55/100/18B010836



18B010836

4 August 2016

Leisure and Cultural Services Department  
Leisure Services Branch  
Leisure Services Branch - Division 2  
Leisure Management/Hong Kong West  
Central and Western District Leisure Services Office  
Room 1001, 10/F., Sheung Wan Municipal Services Building,  
345 Queen's Road Central,  
Hong Kong.

Attn.: Mr. Philip Wong

Dear Sir,

**Contract No. HY/2009/18**  
**Central – Wan Chai Bypass – Central Interchange**

**Handing Over Inspection of Man Po Street Planter**

I refer to the handing over joint site inspection of Man Po Street planter amongst Ms. S.T. Chan, Mr. Fuji Ho (LCAD), Ms. Wayne Law (LCAL) and Mr. Nelson Chin (AECOM) held on 29 July 2016, I would like to record the following salient points as discussed during the inspection.

- 1) AECOM stated that the establishment period of Man Po Street planter was over 1 year. LCSD expressed satisfaction on the condition of the planter except that there many weeds were found inside the planter. LCAL agreed to remove all the weeds by 31 July 2016.

[Post meeting notes: A subsequent site inspection was held on 1 August 2016 between LCSD, LCAL and AECOM, it was confirmed that all weeds had been removed.]

- 2) LCAL agreed to maintain watering to the planter until the completion of irrigation system which was anticipated by end August 2016.
- 3) LCSD had no objection to take over the horticultural responsibilities effective from 1 August 2016. The layout plans and record photo of the planter are attached herewith for your retention and information.

Should you have any queries, please free feel to contact my RE, Mr. Nelson Chin at 6461 8784.

Yours faithfully,  
For and on behalf of  
AECOM Asia Co. Ltd.

David Kwan  
Chief Resident Engineer

Your Ref. : -  
Our Ref. : CWB/(HY/2009/18)/C55/100/18B010836

Encl.

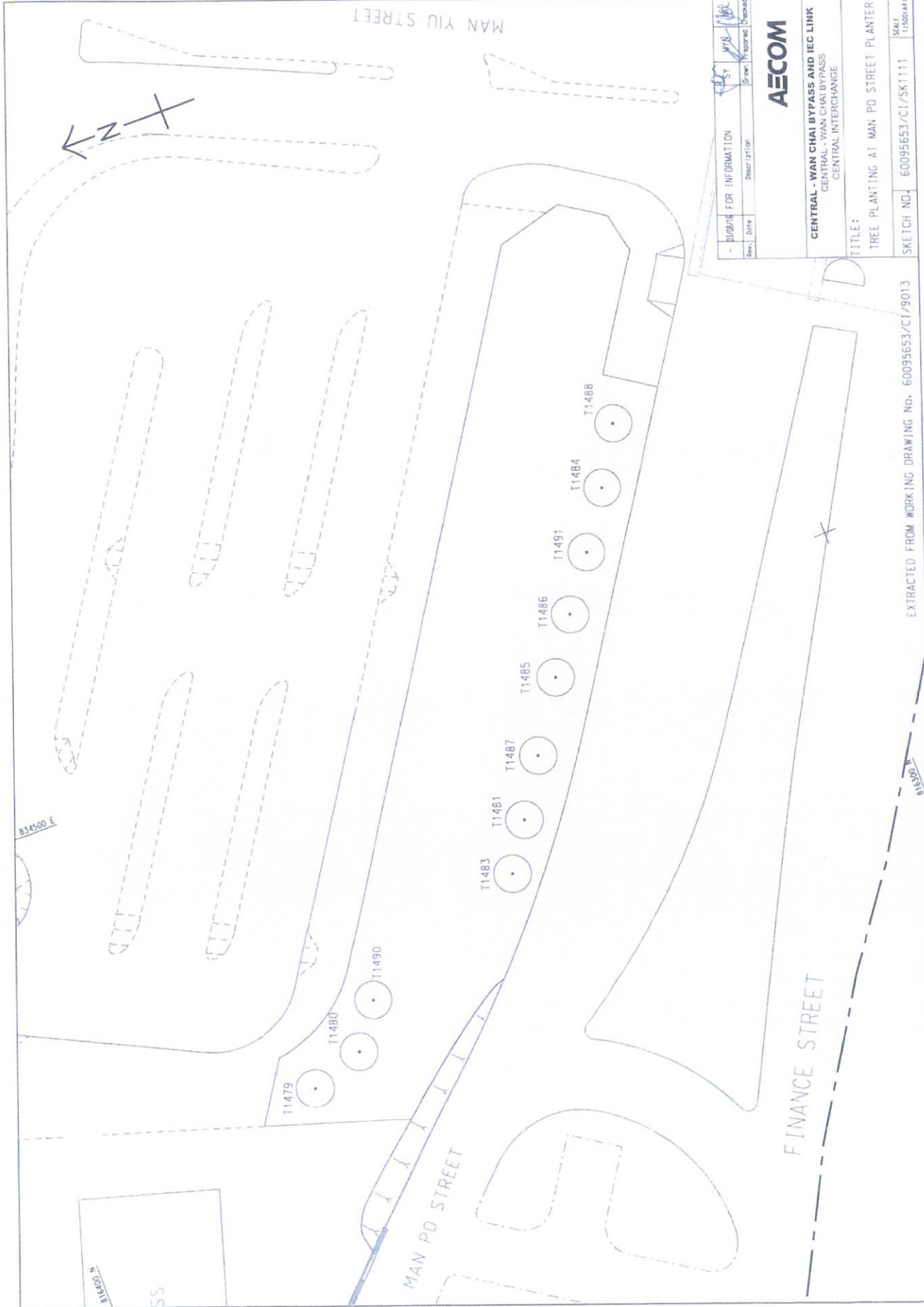
c.c. CE3/MW, HyD - Attn.: Ms. Sally Kung ] - w/encl.  
Urban, HyD - Attn.: Mr. Anthony Kam ] - w/encl.  
CBRE Limited - Attn.: Mr. Michael Chow ] - w/encl.

e.c. AECOM - Attn.: Mr. Alex Li / Ms. Ivy Chung

Response required : Yes / No

DK/R/NC/al





FOR INFORMATION		BY	DATE	PREPARED	CHECKED
Rev:	Date:				

**AECOM**

**CENTRAL - WAN CHAI BYPASS AND IEC LINK**  
 CENTRAL - WAN CHAI BYPASS  
 CENTRAL INTERCHANGE

TITLE:  
 TREE PLANTING AT MAN PO STREET PLANTER

SKETCH NO. 60095653/CI/SK1111 SCALE 1:500(4:1)

EXTRACTED FROM WORKING DRAWING No. 60095653/CI/9013

# **Appendix G**

## **Photographic record of soft landscape and hard landscape Works at Central**



**Final Landscape Plan (Draft)**

**V1 - Yiu Sing Street**



**V2 - Man Yiu Street (near Public Toilet)**



**V3 - Man Yiu Street (near Bus Terminus)**



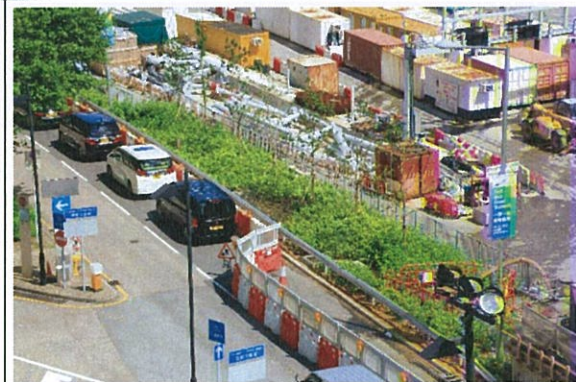
**V4 - Man Yiu Street Bus Terminus (view from IFC Mall)**



**V5 - Finance Street (near IFC II)**



**V6 - Finance Street (near IFC Mall)**





Final Landscape Plan (Draft)

V7 - Man Kwong Street East (near Central Piers)



V8 - Man Kwong Street Middle (near Central Piers)



V9 - Man Kwong Street West



V10 - Connaught Road Central Flyover (near Four Seasons Hotel)



V11 - Kong Chung Lane (near Four Seasons Hotel)



V12 - Kong Chung Lane (near Four Seasons Hotel)

